

Profile - UM 108-PROFIL 235CM BK - 2909963

Please be informed that the data shown in this PDF Document is generated from our Online Catalog. Please find the complete data in the user's documentation. Our General Terms of Use for Downloads are valid (<http://phoenixcontact.com/download>)

Drawn section panel mounting base, with a constructional width of 108 mm and a fixed length of 235 cm




The figure shows the variant UM 45-Profil CM

Your advantages

- CAT5



Key Commercial Data

Packing unit	1 CM
GTIN	 4 017918 419226
GTIN	4017918419226
Weight per Piece (excluding packing)	1,000.000 g
Custom tariff number	39162000
Country of origin	Germany

Technical data

Product properties

Brief article description	Profile
Type	UM 108-PROFIL 235CM BK
Order No.	2909963
Housing type	Press-drawn section housings
Type	Basic profile

Dimensions

Length	235 cm
Profile width (external)	107.5 mm
Profile width (internal)	122.6 mm
Depth	21.5 mm

Profile - UM 108-PROFIL 235CM BK - 2909963

Technical data

Material specifications

Housing material	PVC
Color (RAL)	black (9005)

Packaging specifications

Pieces per package	1
Denomination packing units	Pcs.

Standards and Regulations

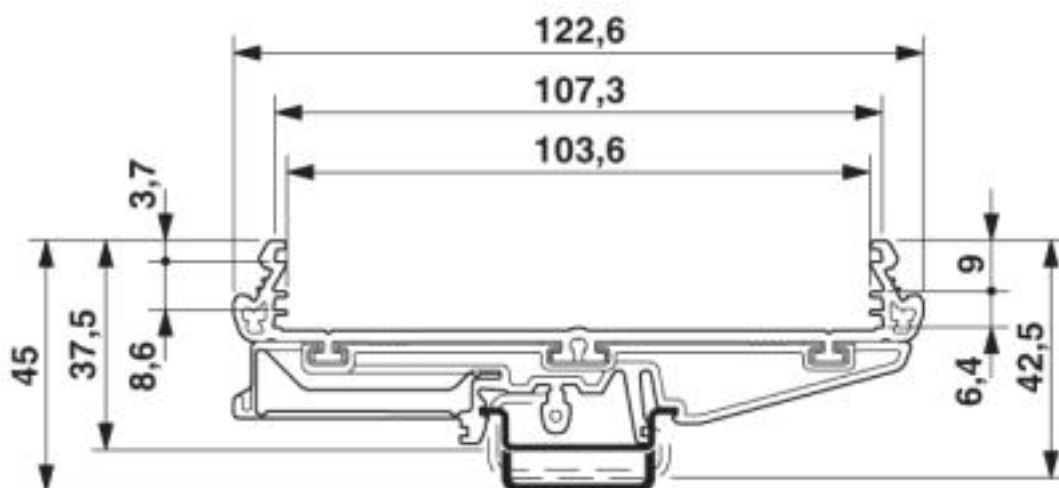
Flammability rating according to UL 94	V0
--	----

Environmental Product Compliance

China RoHS	Environmentally friendly use period: unlimited = EFUP-e
	No hazardous substances above threshold values

Drawings

Dimensional drawing



Classifications

eCl@ss

eCl@ss 10.0.1	27182701
eCl@ss 4.0	27180400
eCl@ss 4.1	27180400
eCl@ss 5.0	27180500
eCl@ss 5.1	27180500
eCl@ss 6.0	27180800
eCl@ss 7.0	27182701
eCl@ss 8.0	27182701
eCl@ss 9.0	27182701

Profile - UM 108-PROFIL 235CM BK - 2909963

Classifications

ETIM

ETIM 2.0	EC001031
ETIM 3.0	EC001031
ETIM 4.0	EC001031
ETIM 5.0	EC002779
ETIM 6.0	EC002779
ETIM 7.0	EC002779

UNSPSC

UNSPSC 6.01	31261501
UNSPSC 7.0901	31261501
UNSPSC 11	31261501
UNSPSC 12.01	31261501
UNSPSC 13.2	31261501
UNSPSC 18.0	31261501
UNSPSC 19.0	31261501
UNSPSC 20.0	31261501
UNSPSC 21.0	31261501

Approvals

Approvals

Approvals

EAC

Ex Approvals

Approval details

EAC		B.01742
-----	--	---------

Accessories

Accessories

Component housing cover

Profile - UM 108-PROFIL 235CM BK - 2909963

Accessories

Covering hood - UM108-A/U CM - 2854898



Press-drawn section housings, Cover, 73 mm wide, width: 73 mm, Note: length of the cover = length of the press-drawn section used

Covering hood - UM-A/U N 73 CM - 2706852



Press-drawn section housings, Cover, 73 mm wide, width: 73 mm, Note: length of the cover = length of the press-drawn section used

Component housing lower part

Side element - UM108-LG 10 - 2959780



Profile housing and board base, 10 mm wide module, consisting of two side elements

Mounting material

Mounting flange - UMK-BF - 2976077



Mounting flange, for mounting directly on the wall

Foot element - UM108-FE - 2959463



Foot element, 107.5 mm wide, for mounting on NS 32 or NS 35/7.5, below profile housing UM 108.

Profile - UM 108-PROFIL 235CM BK - 2909963

Accessories

Mounting flange - UMK-BF - 2976077



Mounting flange, for mounting directly on the wall

Panel mounting base side part

Side element - UM108-SEPEF/L - 2906490



Press-drawn section housings, Lateral element (left), with snap-on foot and PE contact

Side element - UM108-SE - 2959476



Side element, 5 mm wide, PCB width: 107.5 mm

Side element - UM108-SEFE/R-A60 - 2959706



Side element, with foot, tall version, right-hand, for 60 mm wide U-shaped cover.

Side element - UM108-SEFE/R-A73 - 2959719



Side element, with foot, tall version, right-hand, for 73 mm wide U-shaped cover.

Profile - UM 108-PROFIL 235CM BK - 2909963

Accessories

Side element - UM108 N-SEFE/R-A73 - 2709354

Side element, with foot, low-profile version, right-hand, for 73 mm wide U-shaped cover.



Side element - UM108-SEFE/L-A60 - 2959722

Side element, with foot, tall version, left-hand, for 60 mm wide U-shaped cover.



Side element - UM108-SEPEF/L-A60 - 2906500

Side element with foot, tall design, left-hand, for 60 mm wide U-shaped cover, with PE contact to the DIN rail.



Side element - UM108-SEFE/L-A73 - 2959735

Side element, with foot, tall version, left-hand, for 73 mm wide U-shaped cover.



Side element - UM108-SEPEF/L-A73 - 2906513

Side element with foot, tall design, left, for 73 mm wide U-shaped cover, with PE contact to the DIN rail.



Profile - UM 108-PROFIL 235CM BK - 2909963

Accessories

Side element - UM108 N-SEFE/L-A73 - 2709367

Side element, with foot, low-profile version, left-hand, for 73 mm wide U-shaped cover.



Side element - UM108 N-SEPEF/L-A73 - 2709370

Side element with foot, low-profile design, left, for 73 mm wide U-shaped cover, with PE contact to the DIN rail.



Side element - UM108-SE-A60 - 2959748

Side element, without foot, tall version, for 60 mm wide U-shaped cover.



Side element - UM108-SE-A73 - 2959751

Side element, without foot, tall version, for 73 mm wide U-shaped cover.



Side element - UM108 N-SE-A73 - 2709383

Side element, without foot, low-profile version, for 73 mm wide U-shaped cover.



Profile - UM 108-PROFIL 235CM BK - 2909963

Accessories

Foot element - UM108-FE BK - 2909976

Foot element, 107.5 mm wide, for mounting on NS 32 or NS 35/7.5, below profile housing UM 108.



Phoenix Contact 2020 © - all rights reserved
<http://www.phoenixcontact.com>