

Inline terminal - IB IL 24/230 DOR1/W-PC-PAC - 2862178

Please be informed that the data shown in this PDF Document is generated from our Online Catalog. Please find the complete data in the user's documentation. Our General Terms of Use for Downloads are valid (<http://phoenixcontact.com/download>)



Inline, Relay terminal, Relay output: 1 (floating contacts), 24 V DC / 230 V AC, 2.6 A, for switching inductive and capacitive loads, transmission speed in the local bus: 500 kbps, degree of protection: IP20, including Inline connector and labeling field

Product Description


The terminal is designed for use within an Inline station.
 It has one floating SPDT relay contact.
 The terminal is suitable for switching inductive and capacitive loads.
 The terminal can be used in the PELV area and in the AC area.
 For switching voltages below 12 V or currents below 100 mA, please use the IB IL 24/230 DOR 1/W-PAC: terminal.

Your advantages

- Safe isolation in acc. with EN 50178
- Floating connection for one actuator
- Nominal current at the output: 2.2 A
- Total current of the terminal: 2.6 A



Key Commercial Data

| | |
|--------------------------------------|---|
| Packing unit | 1 pc |
| GTIN |  4 017918 894665 |
| GTIN | 4017918894665 |
| Weight per Piece (excluding packing) | 46.000 g |
| Custom tariff number | 85389091 |
| Country of origin | Germany |

Technical data

Note

| | |
|-------------------------|---|
| Utilization restriction | EMC: class A product, see manufacturer's declaration in the download area |
|-------------------------|---|

Dimensions

| | |
|--------|----------|
| Width | 12.2 mm |
| Height | 119.8 mm |

Inline terminal - IB IL 24/230 DOR1/W-PC-PAC - 2862178

Technical data

Dimensions

| | |
|--------------------|--------------------|
| Depth | 71.5 mm |
| Note on dimensions | Housing dimensions |

Ambient conditions

| | |
|--|---|
| Ambient temperature (operation) | -25 °C ... 55 °C |
| Ambient temperature (storage/transport) | -25 °C ... 85 °C |
| Permissible humidity (operation) | 10 % ... 95 % (non-condensing) |
| Permissible humidity (storage/transport) | 10 % ... 95 % (non-condensing) |
| Air pressure (operation) | 70 kPa ... 106 kPa (up to 3000 m above sea level) |
| Air pressure (storage/transport) | 70 kPa ... 106 kPa (up to 3000 m above sea level) |
| Degree of protection | IP20 |

General

| | |
|-------------------------------|-------------------------------|
| Mounting type | DIN rail |
| Color | gray |
| Net weight | 46 g |
| Note on weight specifications | with connector |
| Operating mode | Process data mode with 2 bits |

Interfaces

| | |
|--------------------|--------------------|
| Designation | Inline local bus |
| No. of channels | 2 |
| Connection method | Inline data jumper |
| Transmission speed | 500 kbps |

Inline potentials

| | |
|---------------------|--|
| Designation | Communications power (U _L) |
| Supply voltage | 7.5 V DC (via voltage jumper) |
| Current consumption | max. 60 mA |
| Power consumption | max. 0.45 W |

Digital outputs

| | |
|------------------------------------|------------------------|
| Output name | Relay output |
| Output description | SPDT relay contact |
| Connection method | Spring-cage connection |
| Number of outputs | 1 (floating contacts) |
| Nominal output voltage | 24 V DC |
| | 230 V AC |
| Maximum output current per channel | 2.6 A |
| Maximum output current per module | 2.6 A |

Relay outputs

| | |
|-------------------|----------------------------|
| Switching current | max. 2.6 A (At 30 V DC) |
| | max. 0.15 A (for 250 V DC) |

Inline terminal - IB IL 24/230 DOR1/W-PC-PAC - 2862178

Technical data

Relay outputs

| | |
|-----------------------------|-------------------------------|
| Switching capacity | max. 750 VA (see to derating) |
| Limiting continuous current | 2.6 A |
| Contact type | 1 floating PDT |
| Switching voltage | max. 253 V AC |
| | max. 250 V DC |
| Switching current | max. 2.6 A (At 30 V DC) |
| | max. 0.15 A (for 250 V DC) |
| Switching capacity | max. 750 VA (see to derating) |
| Mechanical service life | 2x 10 ⁷ cycles |

Electrical isolation

| | |
|--------------|--|
| Test section | Relay contact / Bus logics 4 kV 50 Hz 1 min. |
| | Contact/contact 1 kV 50 Hz 1 min. |
| | Contact / PE 1 kV 50 Hz 1 min. |

Standards and Regulations

| | |
|----------------------------------|-------------------------------------|
| Connection in acc. with standard | CUL |
| Protection class | I (MЭК 61140, EN 61140, VDE 0140-1) |

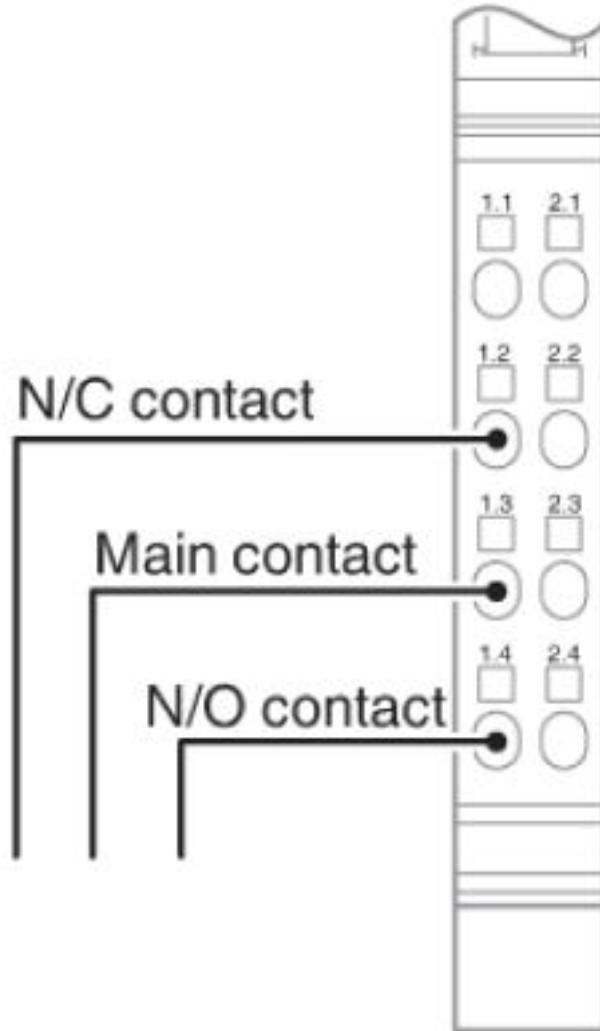
Environmental Product Compliance

| | |
|------------|---|
| China RoHS | Environmentally friendly use period: unlimited = EFUP-e |
| | No hazardous substances above threshold values |

Drawings

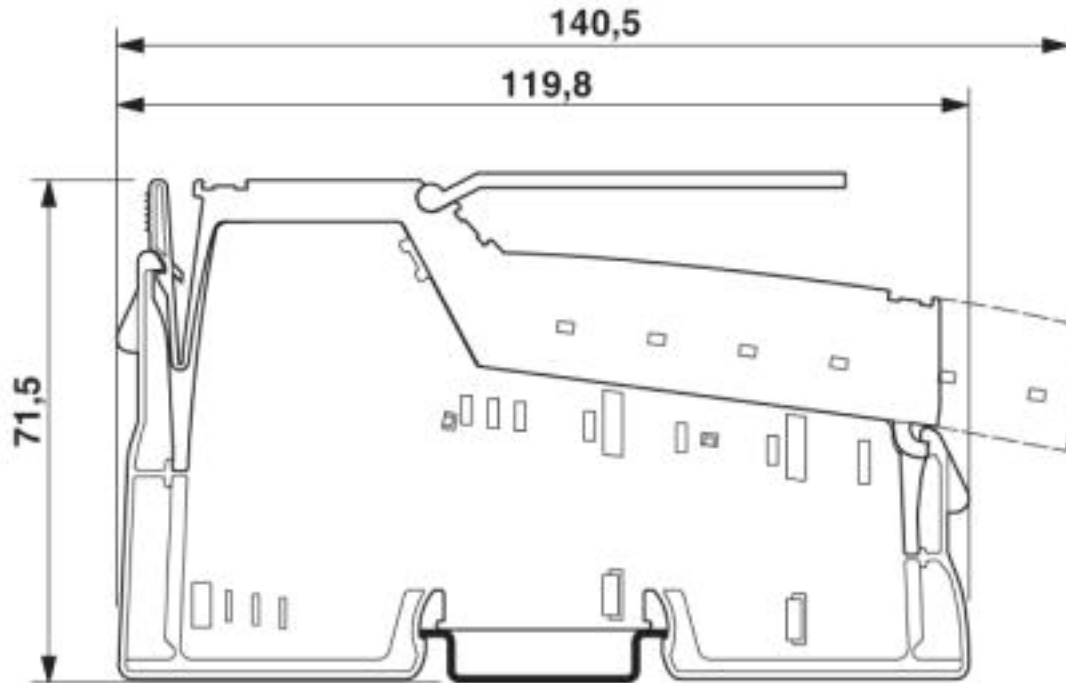
Inline terminal - IB IL 24/230 DOR1/W-PC-PAC - 2862178

Connection diagram



Inline terminal - IB IL 24/230 DOR1/W-PC-PAC - 2862178

Dimensional drawing



Classifications

eCl@ss

| | |
|------------|----------|
| eCl@ss 4.0 | 27250300 |
| eCl@ss 4.1 | 27250300 |
| eCl@ss 5.0 | 27250300 |
| eCl@ss 5.1 | 27242600 |
| eCl@ss 6.0 | 27242600 |
| eCl@ss 7.0 | 27242604 |
| eCl@ss 8.0 | 27242604 |
| eCl@ss 9.0 | 27242604 |

ETIM

| | |
|----------|----------|
| ETIM 2.0 | EC001430 |
| ETIM 3.0 | EC001599 |
| ETIM 4.0 | EC001599 |
| ETIM 5.0 | EC001599 |
| ETIM 6.0 | EC001599 |
| ETIM 7.0 | EC001599 |

UNSPSC

| | |
|---------------|----------|
| UNSPSC 6.01 | 43172015 |
| UNSPSC 7.0901 | 43201404 |
| UNSPSC 11 | 43172015 |

Inline terminal - IB IL 24/230 DOR1/W-PC-PAC - 2862178

Classifications

UNSPSC

| | |
|--------------|----------|
| UNSPSC 12.01 | 43201404 |
| UNSPSC 13.2 | 32151602 |
| UNSPSC 18.0 | 32151602 |
| UNSPSC 19.0 | 32151602 |
| UNSPSC 20.0 | 32151602 |
| UNSPSC 21.0 | 32151602 |

Approvals

Approvals

Approvals

UL Recognized / EAC

Ex Approvals

Approval details

| | | | |
|---------------|---|---|---------------|
| UL Recognized |  | http://database.ul.com/cgi-bin/XYV/template/LISEXT/1FRAME/index.htm | FILE E 140324 |
|---------------|---|---|---------------|

| | | |
|-----|---|---------------|
| EAC |  | EAC-Zulassung |
|-----|---|---------------|

Accessories

Accessories

Connector set

Connector set - IB IL DOR LV-PLSET - 2742667



Connector set for distance terminal

Distance terminal

Inline terminal - IB IL 24/230 DOR1/W-PC-PAC - 2862178

Accessories

Inline terminal - IB IL DOR LV-SET-PAC - 2861645



Inline distance terminal, complete with accessories

Labeling panel

Labeling field - IB IL FIELD 2 - 2727501

Labeling field, width: 12.2 mm



Plug

Inline connector - IB IL SCN-8-AC-REL - 2740290



Plug, for digital 1, 2 or 8-channel Inline terminals with AC voltage

Terminal marking

Insert strip - ESL 62X10 - 0809492



Insert strip, Sheet, white, unlabeled, can be labeled with: Office printing systems: Laser printer, mounting type: insert, lettering field size: 62 x 10 mm, Number of individual labels: 72