

Inline terminal - IB IL DO 4 AC-1A-PAC - 2861658

Please be informed that the data shown in this PDF Document is generated from our Online Catalog. Please find the complete data in the user's documentation. Our General Terms of Use for Downloads are valid (<http://phoenixcontact.com/download>)



Inline, Digital output terminal, Digital outputs: 4, 230 V AC, 1 A, connection method: 3-wire, transmission speed in the local bus: 500 kbps, degree of protection: IP20, including Inline connectors and marking fields

Product Description


The terminal is designed for use within an Inline station. It is used to output digital signals in the AC voltage range.

Your advantages

- ✓ 4 digital outputs
- ✓ Connection of actuators in 3-wire technology
- ✓ Nominal current of each output: 1 A
- ✓ Total current of the terminal: 4 A
- ✓ Diagnostic and status indicators



Key Commercial Data

| | |
|--------------------------------------|---|
| Packing unit | 1 pc |
| GTIN |  4 017918 894498 |
| GTIN | 4017918894498 |
| Weight per Piece (excluding packing) | 130.000 g |
| Custom tariff number | 85389091 |
| Country of origin | Germany |
| Note | Made to Order (non-returnable) |

Technical data

Dimensions

| | |
|--------------------|--------------------|
| Width | 48.8 mm |
| Height | 119.8 mm |
| Depth | 71.5 mm |
| Note on dimensions | Housing dimensions |

Inline terminal - IB IL DO 4 AC-1A-PAC - 2861658

Technical data

Ambient conditions

| | |
|--|---|
| Ambient temperature (operation) | -25 °C ... 55 °C |
| Ambient temperature (storage/transport) | -25 °C ... 85 °C |
| Permissible humidity (operation) | 75 % ... 85 % (in the range of -25°C ... +55°C, appropriate measures against increased humidity (> 85%) must be taken.) |
| Permissible humidity (storage/transport) | 75 % ... 85 % (slight temporary condensation may sometimes appear on the housing) |
| Air pressure (operation) | 70 kPa ... 106 kPa (up to 3000 m above sea level) |
| Air pressure (storage/transport) | 70 kPa ... 106 kPa (up to 3000 m above sea level) |
| Degree of protection | IP20 |

General

| | |
|-------------------------------|--------------|
| Mounting type | DIN rail |
| Color | gray |
| Net weight | 130 g |
| Note on weight specifications | without plug |

Interfaces

| | |
|--------------------|--------------------|
| Designation | Inline local bus |
| No. of channels | 2 |
| Connection method | Inline data jumper |
| Transmission speed | 500 kbps |

Inline potentials

| | |
|---------------------|--------------------------------|
| Designation | Communications power (U_L) |
| Supply voltage | 7.5 V DC (via voltage jumper) |
| Current consumption | max. 45 mA |
| Designation | I/O supply |
| Supply voltage | 230 V AC (via voltage jumper) |
| Current consumption | max. 4 A |

Digital outputs

| | |
|------------------------------------|--|
| Output name | Digital outputs |
| Connection method | Spring-cage connection |
| Connection technology | 3-wire |
| Number of outputs | 4 |
| Protective circuit | Overload protection, short-circuit protection of outputs |
| Nominal output voltage | 230 V AC |
| Maximum output current per channel | 1 A |
| Maximum output current per module | 4 A |

Electrical isolation

| | |
|--------------|---|
| Test section | 5 V supply, incoming remote bus/7.5 V supply (bus logics) 500 V AC 50 Hz 1 min. |
| | 5 V supply, outgoing remote bus/7.5 V supply (bus logics) 500 V AC 50 Hz 1 min. |

Inline terminal - IB IL DO 4 AC-1A-PAC - 2861658

Technical data

Electrical isolation

| | |
|--|---|
| | 7.5 V supply (bus logics) / I/O area 2500 V AC 50 Hz 1 min. |
| | Routine test 1200 V AC 50 Hz 1 min. |
| | I/O area / FE 500 V AC 50 Hz 1 min. |
| | Output / Phase 500 V AC 50 Hz 1 min. |

Standards and Regulations

| | |
|------------------|---------------------------------------|
| Protection class | III (IEC 61140, EN 61140, VDE 0140-1) |
|------------------|---------------------------------------|

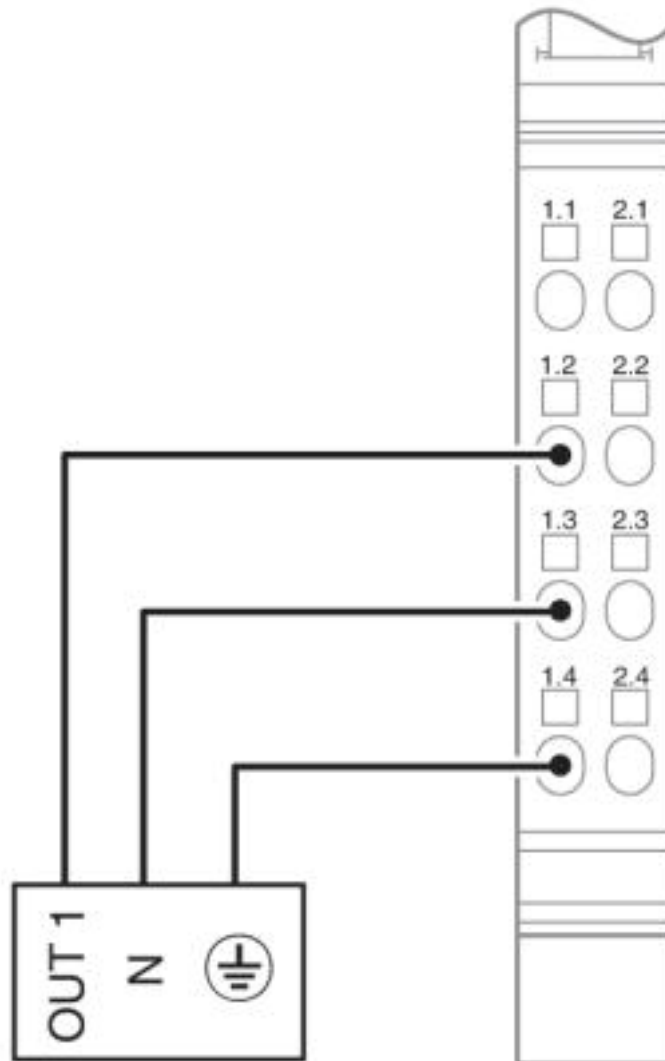
Environmental Product Compliance

| | |
|------------|---|
| China RoHS | Environmentally friendly use period: unlimited = EFUP-e |
| | No hazardous substances above threshold values |

Drawings

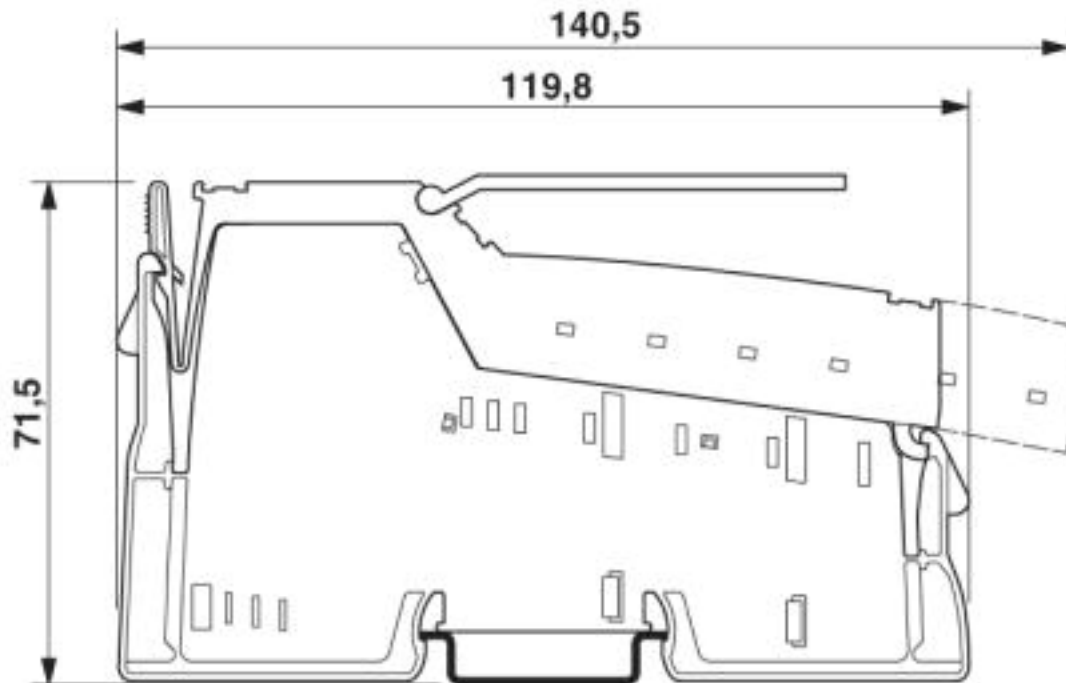
Inline terminal - IB IL DO 4 AC-1A-PAC - 2861658

Connection diagram



Inline terminal - IB IL DO 4 AC-1A-PAC - 2861658

Dimensional drawing



Classifications

eCl@ss

| | |
|------------|----------|
| eCl@ss 4.0 | 27250300 |
| eCl@ss 4.1 | 27250300 |
| eCl@ss 5.0 | 27250300 |
| eCl@ss 5.1 | 27242600 |
| eCl@ss 6.0 | 27242600 |
| eCl@ss 7.0 | 27242604 |
| eCl@ss 8.0 | 27242604 |
| eCl@ss 9.0 | 27242604 |

ETIM

| | |
|----------|----------|
| ETIM 2.0 | EC001430 |
| ETIM 3.0 | EC001599 |
| ETIM 4.0 | EC001599 |
| ETIM 5.0 | EC001599 |
| ETIM 6.0 | EC001599 |
| ETIM 7.0 | EC001599 |

UNSPSC

| | |
|---------------|----------|
| UNSPSC 6.01 | 43172015 |
| UNSPSC 7.0901 | 43201404 |
| UNSPSC 11 | 43172015 |

Inline terminal - IB IL DO 4 AC-1A-PAC - 2861658

Classifications

UNSPSC

| | |
|--------------|----------|
| UNSPSC 12.01 | 43201404 |
| UNSPSC 13.2 | 32151602 |
| UNSPSC 19.0 | 32151602 |

Accessories

Accessories

Labeling panel

Labeling field - IB IL FIELD 2 - 2727501

Labeling field, width: 12.2 mm



Labeling field - IB IL FIELD 8 - 2727515

Labeling field, width: 48.8 mm



Plug

Inline connector - IB IL SCN-8-AC-OCP - 2740274



Connector, colored identification, for digital 1, 2 or 8-channel Inline output terminal blocks

Terminal marking

Insert strip - ESL 62X10 - 0809492



Insert strip, Sheet, white, unlabeled, can be labeled with: Office printing systems: Laser printer, mounting type: insert, lettering field size: 62 x 10 mm, Number of individual labels: 72

Inline terminal - IB IL DO 4 AC-1A-PAC - 2861658

Accessories

Insert strip - ESL 62X46 - 0809502

Insert strip, Sheet, white, unlabeled, can be labeled with: Office printing systems: Laser printer, mounting type: insert, lettering field size: 62 x 46 mm, Number of individual labels: 120



Phoenix Contact 2020 © - all rights reserved
<http://www.phoenixcontact.com>