

FO converters - PSI-MOS-RS485W2/FO 660 T - 2708300

Please be informed that the data shown in this PDF Document is generated from our Online Catalog. Please find the complete data in the user's documentation. Our General Terms of Use for Downloads are valid (<http://phoenixcontact.com/download>)



FO converter with integrated optical diagnostics, alarm contact, for RS-485 2-wire bus systems (SUCONET K, Modbus ...) up to 500 kbps, NRZ coding, T-coupler with two FO interfaces (FSMA), 660 nm, for polymer/PCF fiber cable

Product Description

The PSI-MOS-RS485W2/FO... FO converters convert the electrical data signal into an optical one by protocol transparent means. The integrated optical diagnostics allow permanent monitoring of the FO paths during installation and also during operation. The floating switch contact is activated when the signal output on the fiber optic paths drops to a critical level. The PSI-MOS-RS485W2/FO... T T-couplers allow the interface to be converted for two FO cables. They can be used to create linear structures and redundant structures for increased system availability.

Your advantages

- ✓ Can be combined with the PSI copper repeater in a modular way using DIN rail connectors
- ✓ Supply voltage and data signals routed through via DIN rail connectors
- ✓ Connections can be plugged in using a COMBICON screw terminal block
- ✓ Automatic data rate detection or fixed data rate setting via DIP switches
- ✓ High-quality electrical isolation between all interfaces (RS-485 // fiber optic ports // power supply // DIN rail connector)
- ✓ Redundant power supply possible by means of optional system power supply unit
- ✓ Approved for use in zone 2
- ✓ Intrinsically safe fiber optic interface (Ex op is) for direct connection to devices in zone 1
- ✓ Integrated optical diagnostics for continuous monitoring of fiber optic paths
- ✓ Floating switch contact for leading alarm generation in relation to critical fiber optic paths
- ✓ Suitable for data rates up to 500 kbps
- ✓ Shipbuilding approval in accordance with DNV GL



Key Commercial Data

Packing unit	1 pc
GTIN	
GTIN	4017918974008
Weight per Piece (excluding packing)	201.080 g
Custom tariff number	85176200
Country of origin	Germany

FO converters - PSI-MOS-RS485W2/FO 660 T - 2708300

Technical data

Note

Utilization restriction	EMC: class A product, see manufacturer's declaration in the download area
-------------------------	---

Dimensions

Width	35 mm
Height	99 mm
Depth	105 mm

Ambient conditions

Ambient temperature (operation)	-20 °C ... 60 °C
Ambient temperature (storage/transport)	-40 °C ... 85 °C
Permissible humidity (operation)	30 % ... 95 % (non-condensing)
Altitude	≤ 5000 m (For restrictions, see the manufacturer's declaration for altitude operation)
Degree of protection	IP20
Noise immunity	EN 61000-6-2:2005

General

Bit delay	≤ 1 bit
Bit distortion, input	± 35 % (permitted)
Bit distortion, output	< 6.25 %
Electrical isolation	VCC // RS-485
Test voltage data interface/power supply	1.5 kV _{rms} (50 Hz, 1 min.)
Electromagnetic compatibility	Conformance with EMC Directive 2014/30/EU
Noise emission	EN 55011
Net weight	201.08 g
Housing material	PA 6.6-FR
Color	green
MTBF	220 Years (Telcordia standard, 25°C temperature, 21% operating cycle (5 days a week, 8 hours a day))
	44 Years (Telcordia standard, 40°C temperature, 34.25% operating cycle (5 days a week, 12 hours a day))

Power supply

Nominal supply voltage	24 V DC (With UL approval)
Supply voltage range	18 V DC ... 30 V DC
Max. current consumption	130 mA
Typical current consumption	100 mA (24 V DC)
Connection method	COMBICON plug-in screw terminal block

Interfaces

Interface 1	RS-485 interface, 2-wire
Operating mode	Semi-duplex
Connection method	Pluggable screw connection

FO converters - PSI-MOS-RS485W2/FO 660 T - 2708300

Technical data

Interfaces

File format/coding	UART (11/10 bit switchable; NRZ), slip-tolerant
Data direction switching	Automatic control
Transmission medium	Copper
Transmission length	≤ 1200 m (depending on the data rate, with shielded, twisted data cable)
Termination resistor	390 Ω
	220 Ω
	390 Ω (Can be connected)
Conductor cross section solid min.	0.2 mm ²
Conductor cross section solid max.	2.5 mm ²
Conductor cross section flexible min.	0.2 mm ²
Conductor cross section flexible max.	2.5 mm ²
Conductor cross section AWG min.	24
Conductor cross section AWG max.	14
Serial transmission speed	4.8/ 9.6/ 19.2/ 38.4/ 57.6/ 75/ 93.75/ 115.2/ 136/ 187.5/ 375/ 500 kbps

Optical interface FO

Transmit capacity, minimum	-5.3 dBm (980/1000 μm)
	-16 dBm (200/230 μm)
Minimum receiver sensitivity	-30.2 dBm
Overrange receiver	-3 dBm (980/1000 μm)
Wavelength	660 nm
Transmission length incl. 3 dB system reserve	100 m (With F-P 980/1000 230 dB/km with quick mounting connector)
	800 m (With F-K 200/230 10 dB/km with quick mounting connector)
Transmission medium	Polymer fiber
	PCF fiber
Transmission protocol	Protocol-transparent to the RS-485 interface
Connection method	F-SMA

Digital outputs

Output name	Relay output
Output description	Alarm output
Number of outputs	1
Maximum switching voltage	60 V DC
	42 V AC
Limiting continuous current	0.46 A

Conformance/approvals

Designation	CE
Identification	CE-compliant
	# II 3 G Ex nA nC IIC T4 Gc X
Additional text	Please follow the special installation instructions in the documentation!
Identification	# II (2) G [Ex op is Gb] IIC

FO converters - PSI-MOS-RS485W2/FO 660 T - 2708300

Technical data

Conformance/approvals

	# II (2) D [Ex op is Db] IIIC
Certificate	PTB 06 ATEX 2042 U
Additional text	Please follow the special installation instructions in the documentation!
Designation	UL, USA/Canada
Identification	Class I, Zone 2, AEx nc IIC T5
	Class I, Zone 2, Ex nC nL IIC T5 X
	Class I, Div. 2, Groups A, B, C, D
Designation	PTB
	Corrosive gas test
Identification	ISA-S71.04-1985 G3 Harsh Group A
Designation	Shipbuilding
Identification	DNV GL
Temperature	B
Humidity	A
Vibration	A
EMC	B
Enclosure	Required protection according to the Rules shall be provided upon installation on board

Standards and Regulations

Electromagnetic compatibility	Conformance with EMC Directive 2014/30/EU
Type of test	Vibration resistance in acc. with EN 60068-2-6/IEC 60068-2-6
Test result	5g, 10...150 Hz, 2.5 h, in XYZ direction
Type of test	Shock in acc. with EN 60068-2-27/IEC 60068-2-27
Test result	15g, 11 ms period, half-sine shock pulse
Noise emission	EN 55011
Noise immunity	EN 61000-6-2:2005
Free from substances that could impair the application of coating	according to P-VW 3.10.7 57 65 0 VW-AUDI-Seat central standard
Connection in acc. with standard	CUL
Standards/regulations	EN 61000-4-2
Contact discharge	± 6 kV
Standards/regulations	EN 61000-4-3
	EN 61000-4-4
Comments	Criterion B
Standards/regulations	EN 61000-4-5
Signal	± 1 kV
Standards/regulations	EN 55011
	EN 61000-4-6
Shock	15g in all directions in acc. with IEC 60068-2-27
Vibration (operation)	in acc. with IEC 60068-2-6: 5g, 150 Hz

Environmental Product Compliance

FO converters - PSI-MOS-RS485W2/FO 660 T - 2708300

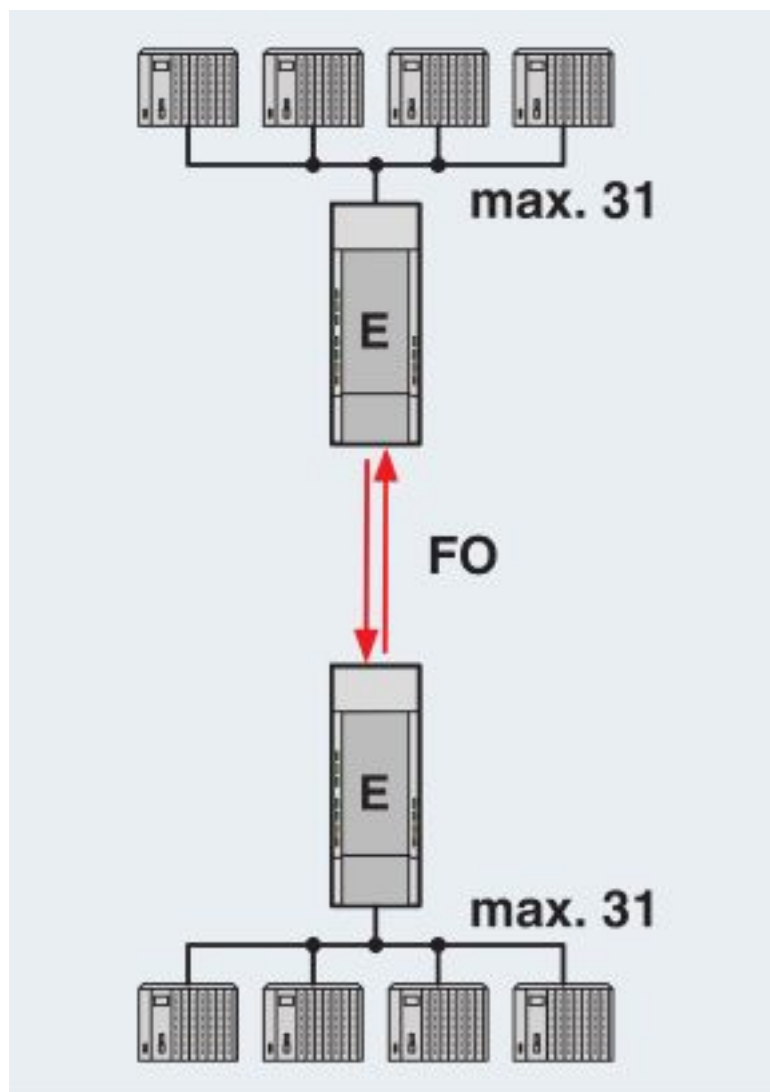
Technical data

Environmental Product Compliance

REACH SVHC	Lead 7439-92-1
China RoHS	Environmentally Friendly Use Period = 50
	For details about hazardous substances go to tab "Downloads", Category "Manufacturer's declaration"

Drawings

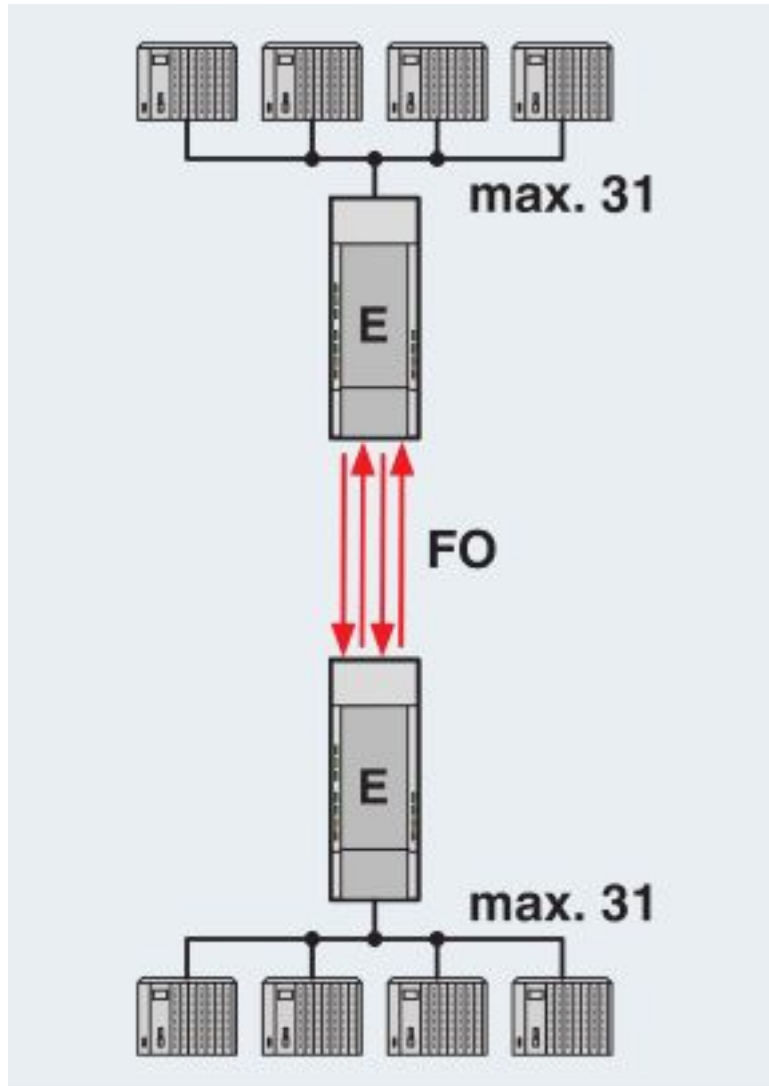
Application drawing



Point-to-point connection

FO converters - PSI-MOS-RS485W2/FO 660 T - 2708300

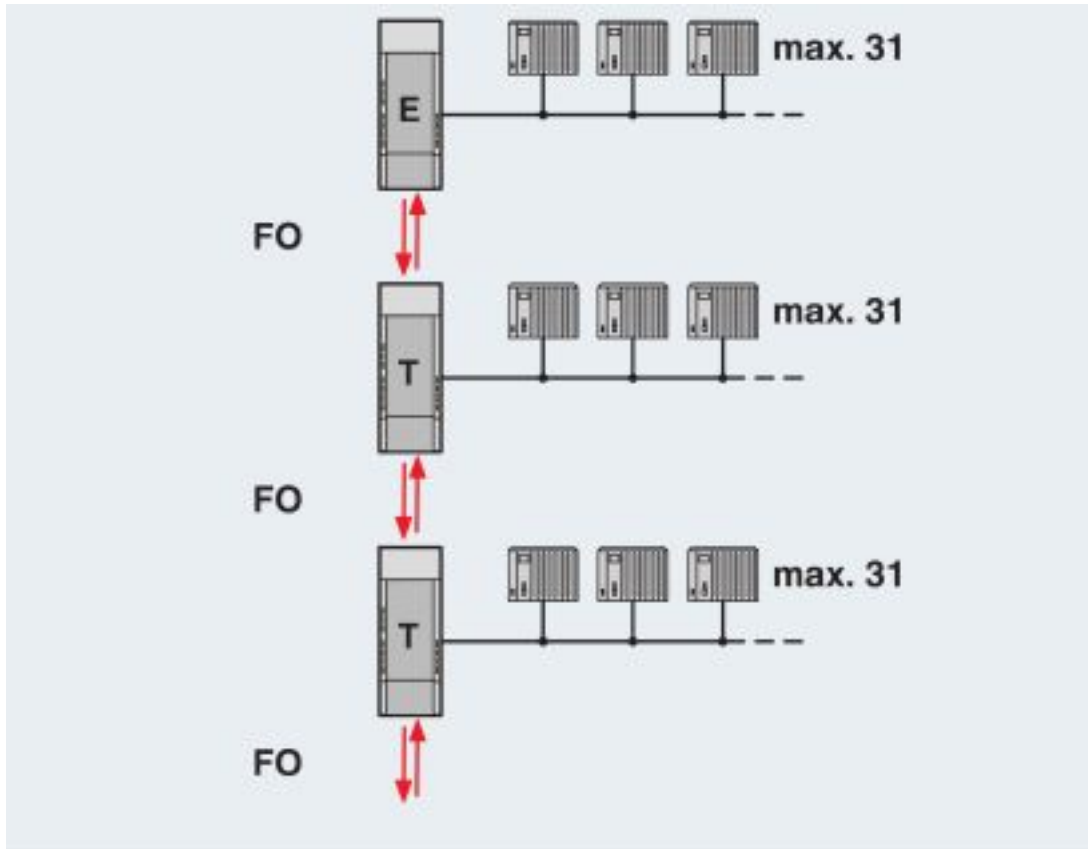
Application drawing



Redundant point-to-point connection

FO converters - PSI-MOS-RS485W2/FO 660 T - 2708300

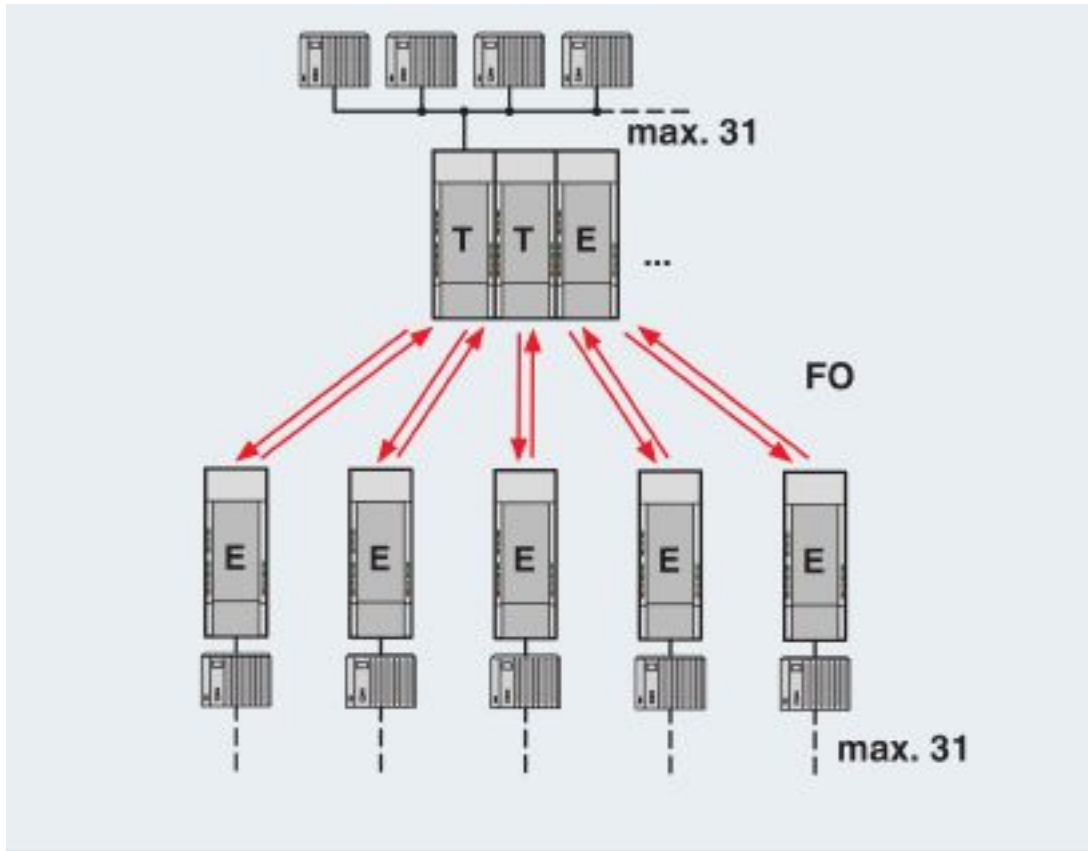
Application drawing



Line structure

FO converters - PSI-MOS-RS485W2/FO 660 T - 2708300

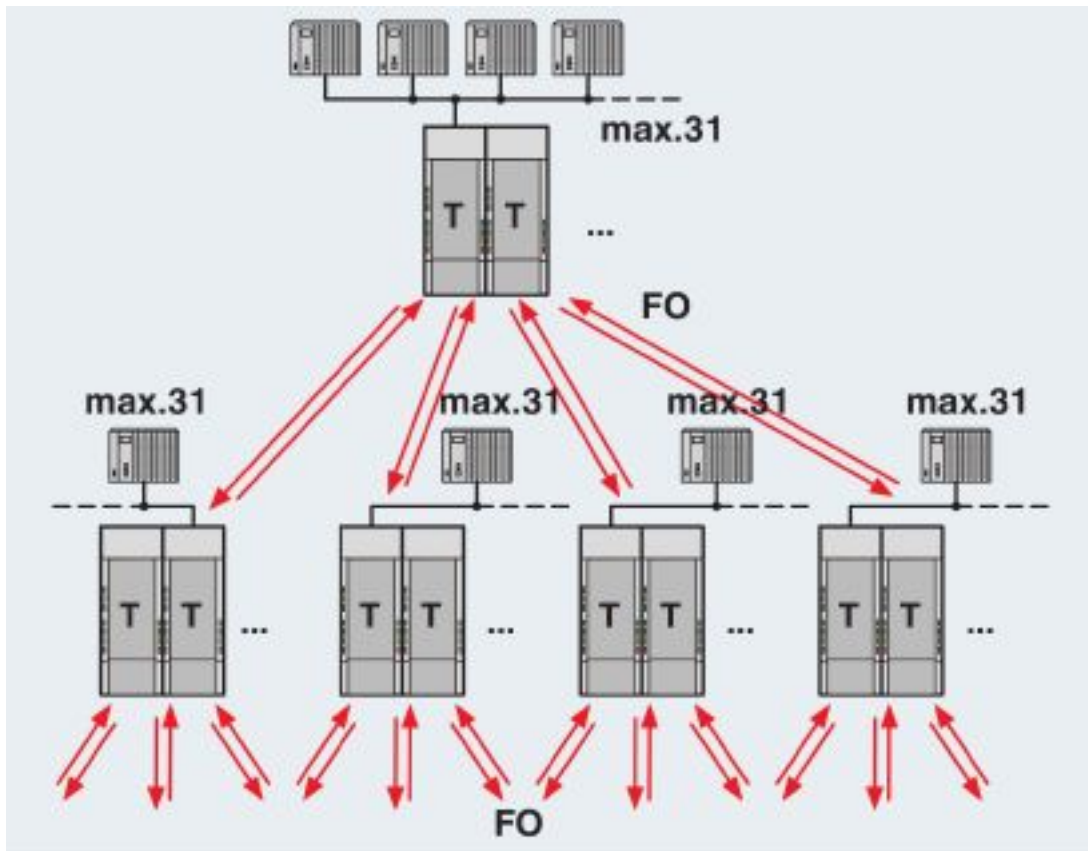
Application drawing



Star structure

FO converters - PSI-MOS-RS485W2/FO 660 T - 2708300

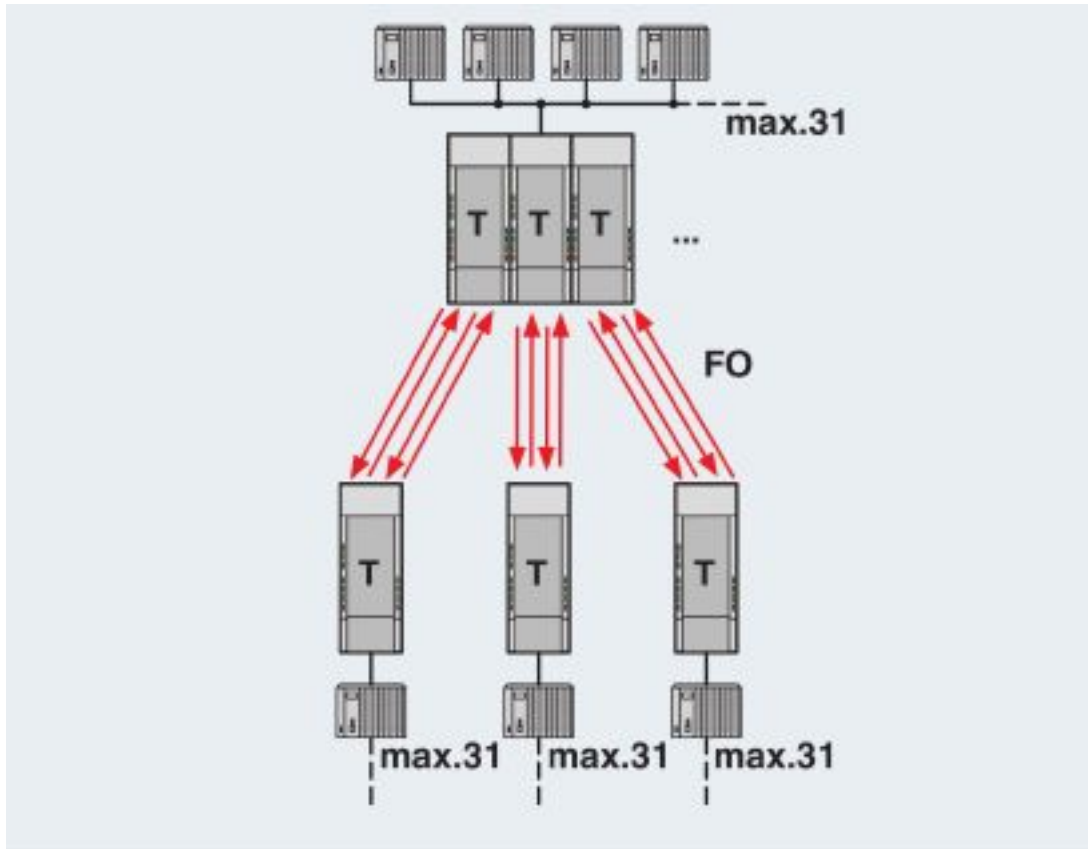
Application drawing



Tree structure

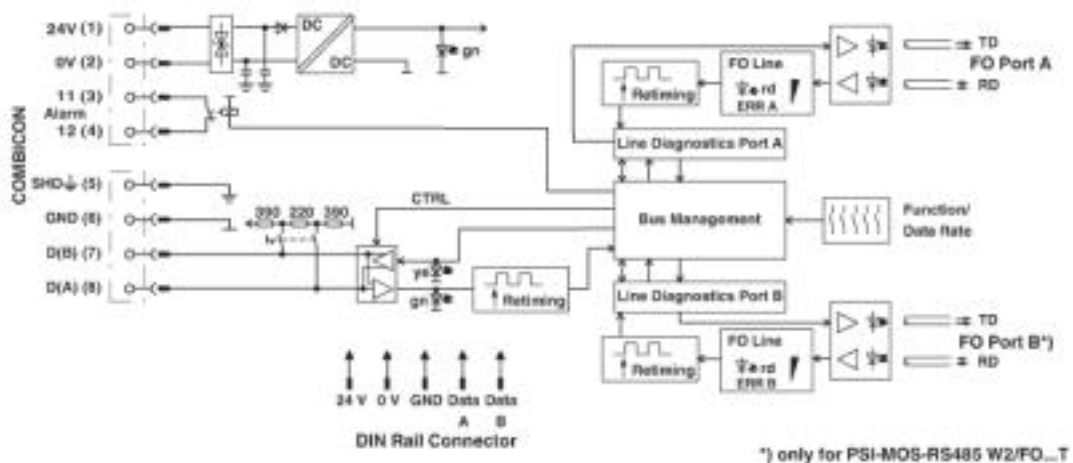
FO converters - PSI-MOS-RS485W2/FO 660 T - 2708300

Application drawing



Redundant structure

Block diagram



*) only with PSI-MOS.../FO...T

FO converters - PSI-MOS-RS485W2/FO 660 T - 2708300

Classifications

eCl@ss

eCl@ss 4.0	27230200
eCl@ss 4.1	27230200
eCl@ss 5.0	27230200
eCl@ss 5.1	27230200
eCl@ss 6.0	19179200
eCl@ss 7.0	19179290
eCl@ss 8.0	19179290
eCl@ss 9.0	19170114

ETIM

ETIM 2.0	EC001423
ETIM 3.0	EC001423
ETIM 4.0	EC001423
ETIM 5.0	EC000310
ETIM 6.0	EC001467
ETIM 7.0	EC001467

UNSPSC

UNSPSC 6.01	30211506
UNSPSC 7.0901	39121008
UNSPSC 11	39121008
UNSPSC 12.01	39121008
UNSPSC 13.2	43222604
UNSPSC 18.0	43223323
UNSPSC 19.0	43223323
UNSPSC 20.0	43223323
UNSPSC 21.0	43223323

Approvals

Approvals

Approvals

DNV GL / UL Recognized / cUL Recognized / cULus Recognized

Ex Approvals

UL Listed / cUL Listed / null / null / cULus Listed

Approval details

FO converters - PSI-MOS-RS485W2/FO 660 T - 2708300

Approvals

DNV GL		https://approvalfinder.dnvgl.com/	TAA00001KR
--------	--	---	------------

UL Recognized		http://database.ul.com/cgi-bin/XYV/template/LISEXT/1FRAME/index.htm	FILE E 238705
---------------	--	---	---------------

cUL Recognized		http://database.ul.com/cgi-bin/XYV/template/LISEXT/1FRAME/index.htm	FILE E 238705
----------------	--	---	---------------

cULus Recognized			
------------------	--	--	--

Accessories

Accessories

Adapter

Connection distributor - PSM PTK - 2760623



Passive RS-485 T-distributor, fitted with one 9-pin D-SUB pin strip and two 9-pin D-SUB socket strips

Connection distributor - PSM PTK-4 - 2799364



Passive RS-485 T-distributor, fitted with one 9-pin D-SUB pin strip and five 9-pin D-SUB socket strips

Data cable by the meter

FO cable - PSM-LWL-KDHEAVY-980/1000 - 2744319



Polymer fiber cable, duplex 980 µm/1000 µm, medium-weight version for installation in stationary systems and machines, by the meter without male connector

FO converters - PSI-MOS-RS485W2/FO 660 T - 2708300

Accessories

FO cable - PSM-LWL-RUGGED-980/1000 - 2744322



Polymer fiber cable, duplex 980µm/1000µm, heavy-weight version for installation in stationary systems and machines, by the meter without male connector

FO cable - PSM-LWL-RUGGED-FLEX-980/1000 - 2744335



Polymer fiber cable, duplex 980/1000 µm, heavy-weight, highly flexible version for flexible conduit applications, by the meter, without connector

FO cable - PSM-LWL-HCS-RUGGED-200/230 - 2799885



PCF cable, duplex 200 µm/230 µm, by the meter without male connector, for installation in stationary systems and machines

FO cable - PSM-LWL-HCSO-200/230 - 2799445



PCF cable, duplex 200/230 µm, by the meter, without connector, for outdoor installation

Bus system cable - PSM-CABLE-PROFIB/FC - 2744652



By the meter, Bus system cable, PROFIBUS (12 Mbps), shielded, PVC FR VI/PVC, Violet, 2-wire (1X2XAWG22/1), color single wire: Red, green, cable length: Free entry (1.0 ... 1000.0 m)

Data cable preassembled

FO converters - PSI-MOS-RS485W2/FO 660 T - 2708300

Accessories

FO patch cable - FOC-RUGGED-1012/IP20/... - 2901548



Robust POF installation cable for assembly (IP20 heads only) for installation in stationary systems and machines with individual elements made of polyamide (PE), halogen-free, ozone and UV resistant, with reinforced polyurethane (PUR) outer sheath

FO patch cable - FOC-RUGGED-1012/... - 1402185



rugged POF installation cable for fixed installation in the inner area with individual elements made of highly durable polyamide (PE). Dimensioned for higher requirements in respect of tensile load and lateral pressure, with individual elements made of highly wear-resistant polyamide (PE). The cable is halogen-free, ozone and UV resistant and has a reinforced (PUR) outer sheath.

FO patch cable - FOC-RUGGED-FLEX-1013/IP20/... - 2901549



Highly flexible POF round cable (IP20 heads only) for use in drag chains. Individual elements made from extremely wear-resistant polyamide (PE). The cable is halogen-free, ozone and UV resistant, and has a rugged polyurethane (PUR) outer sheath.

FO patch cable - FOC-RUGGED-FLEX-1013/... - 1402187



Highly flexible POF round cable for use in drag chains for an alternating bending frequency of up to 5 million cycles with individual elements made of highly wear-resistant polyamide (PE). The cable is halogen-free, ozone and UV resistant and has a rugged polyurethane (PUR) outer sheath.

FO patch cable - FOC-KDHEAVY-1011/IP20/... - 2901553



POF installation cable for assembly (IP20 heads only) for installation in stationary systems and machines with individual elements made of polyamide (PE), halogen-free, ozone and UV resistant, with a polyurethane (PUR) outer sheath

FO converters - PSI-MOS-RS485W2/FO 660 T - 2708300

Accessories

FO patch cable - FOC-KDHEAVY-1011/... - 1402188



POF installation cable for fixed installation in the inner area with individual elements made of highly durable polyamide (PE). The cable is halogen-free, ozone and UV resistant and has a rugged polyurethane (PUR) outer sheath.

FO patch cable - FOC-HCS-RUGGED-1014/IP20/... - 2901555



Robust PCF installation cable for assembly (IP20 heads only) for installation in stationary systems and machines, aramid strain relief elements, with individual elements made from FRNC material, halogen-free, ozone and UV resistant, with a polyurethane (PUR) outer sheath

FO patch cable - FOC-HCS-RUGGED-1014/... - 1402191



rugged PCF installation cable for inner areas with highly tear-proof aramid strain-relief elements. Individual elements made from highly flexible FRNC material. The cable is halogen-free, ozone and UV resistant and has a rugged polyurethane (PUR) outer sheath.

FO patch cable - FOC-HCSO-1015/IP20/... - 2901557



Highly rugged PCF round cable (IP20 heads only) for assembly and for outdoor installation with integrated moisture barrier as well as rodent-proof scrim. Individual elements made from highly flexible FRNC material. The wire is ozone and UV resistant with a very rugged polyethylene outer sheath.

Data plug

D-SUB bus connector - SUBCON-PLUS M1 - 2761826



D-SUB connector, 9-pos., male connector, two cable entries < 35°, bus system: Modbus, Modbus Plus, BITBUS, ARCNET, MULT/MININET (B&R), SYSTEM 2003 (B&R), P-NET, pin assignment: 1, 2, 3, 5, 6, 8 to two screw connection terminal blocks

FO converters - PSI-MOS-RS485W2/FO 660 T - 2708300

Accessories

D-SUB bus connector - SUBCON-PLUS F1 - 2744267



D-SUB connector, 9-pos. female connector, two cable entries < 35°, bus system: Modbus, Modbus Plus, BITBUS, ARCNET, MULT/MININET (B&R), SYSTEM 2003 (B&R), P-NET, pin assignment: 1, 2, 3, 5, 6, 8; screw connection terminal blocks

D-SUB bus connector - SUBCON-PLUS M2 - 2761839



D-SUB connector, 9-pos., male connector, two cable entries < 35°, bus system: CAN, SUCONET K1, K2 (MOELLER), S-BUS (Saia), J-BUS (Merlin Gerin), pin assignment: 2, 3, 4, 5, 7, 9 to two screw connection terminal blocks

D-SUB bus connector - SUBCON-PLUS F2 - 2799490



D-SUB connector, 9-pos. female connector, two cable entries < 35°, bus system: CAN, SUCONET K1, K2 (MOELLER), S-BUS (Saia), J-BUS (Merlin Gerin), pin assignment: 2, 3, 4, 5, 7, 9 to two screw connection terminal blocks

D-SUB bus connector - SUBCON-PLUS F5 - 2744102



D-SUB connector, 9-pos. female connector, two cable entries < 35°, bus system: Modbus, CECELEC, pin assignment: 1, 1, 2, 3, 6, 7; screw connection terminal blocks

D-SUB bus connector - SUBCON-PLUS 9/M - 2744018



D-SUB connector, 9-pos., male connector, two cable entries < 35°, universal type for all systems, pin assignment: 1, 2, 3, 4, 5, 6, 7, 8, 9 to one screw connection terminal block

FO converters - PSI-MOS-RS485W2/FO 660 T - 2708300

Accessories

D-SUB bus connector - SUBCON-PLUS 9/F - 2744241



D-SUB connector, 9-pos. female connector, two cable entries < 35°, universal type for all systems, pin assignment: 1, 2, 3, 4, 5, 6, 7, 8, 9 to one screw connection terminal block

DIN rail connector

DIN rail bus connectors - ME 17,5 TBUS 1,5/ 5-ST-3,81 GN - 2709561



DIN rail connector for DIN rail mounting. Universal for TBUS housing. Gold-plated contacts, 5-pos.

Interface converter

Repeater - PSI-REP-RS485W2 - 2313096



Modular repeater for electrical isolation and range increase in RS-485 2-wire bus systems up to 500 kbps, 4-way isolation, rail-mountable, supply 24 V DC

Repeater - PSM-ME-RS485/RS485-P - 2744429



Repeater, for potential separation and range increase in RS-485 2-wire bus systems, 3-way isolation, rail-mountable

Media converter

FO converters - PSI-MOS-RS485W2/FO 660 E - 2708313



FO converter with integrated optical diagnostics, alarm contact, for RS-485 2-wire bus systems (SUCONET K, Modbus ...) up to 500 kbps, NRZ coding, terminal device with one FO interface (FSMA), 660 nm, for polymer/PCF fiber cable

Power supply

FO converters - PSI-MOS-RS485W2/FO 660 T - 2708300

Accessories

Power supply unit - MINI-SYS-PS-100-240AC/24DC/1.5 - 2866983



Primary-switched MINI POWER supply for DIN rail mounting, input: 1-phase, output: 24 V DC/1.5 A

Screwdriver tools

Screwdriver - SZS 0,4X2,5 VDE - 1205037



Screwdriver, slot-headed, VDE insulated, size: 0.4 x 2.5 x 80 mm, 2-component grip, with non-slip grip

Terminal resistor

Termination resistor - PSI-TERMINATOR-PB-TBUS - 2702636



Active termination resistor for PROFIBUS and RS-485 bus systems, redundant power supply, routing of the supply voltage via DIN rail connector, electrical isolation, switchable termination, integrated programming interface

FO connectors - PSM-SET-FSMA/4-KT - 2799720



F-SMA plug set for polymer fiber, for self assembly consisting of 4 quick mounting connectors with bend protection sleeve

DIN rail bus connectors - ME 17,5 TBUS 1,5/PP000-3,81 BK - 2890014

DIN rail connector for DIN rail mounting. Universal for TBUS housing. Gold-plated contacts, 2-pos.

FO converters - PSI-MOS-RS485W2/FO 660 T - 2708300

Accessories

Assembly tool - PSM-POF-KONFTOOL - 2744131



Polymer fiber DIY case, consisting of: Stripping knife, stripping pliers, polishing wheels for F-SMA and SC-RJ quick mounting connectors, polishing pad and emery paper

Assembly tool - PSM-HCS-KONFTOOL - 2799526



PCF assembly kit for F-SMA quick mounting connectors, including stripping blade, stripping pliers, aramide yarn scissors, fiber stripper, microscope, fiber cleaving tool for standard HCS fibers, four F-SMA connectors for standard PCF fibers, and documentation

Assembly tool - PSM-SET-FSMA-POLISH - 2799348



Polymer fiber polishing set, for F-SMA quick mounting connectors

Measuring instrument - PSM-FO-POWERMETER - 2799539



Fiber optic measuring case, consisting of an optical power meter, F-SMA, B-FOC adapters, reference fibers and operating instructions

Fiber optic coupling - PSM-SET-FSMA-LINK/2 - 2799416



Coupling; set consisting of 2 couplings for connecting F-SMA plugs

FO converters - PSI-MOS-RS485W2/FO 660 T - 2708300

Accessories

Stripping tool - PSM-STRIP-FC/PROFIB - 2744623

Quick stripping tool for PROFIBUS cable, type Fast Connect



Phoenix Contact 2020 © - all rights reserved
<http://www.phoenixcontact.com>