

LED machine light - PLD M 160 W-95/105 896 - 2702478

Please be informed that the data shown in this PDF Document is generated from our Online Catalog. Please find the complete data in the user's documentation. Our General Terms of Use for Downloads are valid (<http://phoenixcontact.com/download>)



LED machine light, 24 V DC, emission angle 95 °/105 °, color temperature 6200 K, length 896 mm, Light housing: Anodized aluminum, Light cover: Satined acrylic, pivoting, including mounting accessories

Product Description


This LED machine light is designed to provide illumination inside or on machinery. Due to the narrow design, it can be mounted even where space is at a premium. In the light holder supplied, the light can swivel and the lighting can therefore be optimally aligned. The satin-finished plastic cover prevents glare for the machine operator.

Your advantages

- ✓ Narrow design enables mounting even in confined spaces
- ✓ Ready to connect by means of punched-on 3 m supply line
- ✓ Focused illumination, thanks to swivel action
- ✓ IP67 protection enables use even in wet environments
- ✓ ETL approval permits use on the North American market
- ✓ Particularly economical thanks to energy-efficient LED technology and an LED service life of at least 50,000 h



Key Commercial Data

| | |
|--------------------------------------|---------------------------------------------------------------------------------------------------------|
| Packing unit | 1 pc |
| GTIN |  4 055626 213842 |
| GTIN | 4055626213842 |
| Weight per Piece (excluding packing) | 800.000 g |
| Custom tariff number | 94054099 |
| Country of origin | Germany |

Technical data

Dimensions

| | |
|--------|---------|
| Width | 22.5 mm |
| Height | 23 mm |
| Length | 896 mm |

LED machine light - PLD M 160 W-95/105 896 - 2702478

Technical data

Ambient conditions

| | |
|------------------------------------------|-----------------------|
| Ambient temperature (operation) | 0 °C ... 40 °C |
| Ambient temperature (storage/transport) | -10 °C ... 50 °C |
| Permissible humidity (operation) | 95 % |
| Permissible humidity (storage/transport) | 95 % (non-condensing) |
| Air pressure (operation) | 69 kPa ... 102 kPa |
| Air pressure (storage/transport) | 69 kPa ... 102 kPa |
| Degree of protection | IP67 |

General

| | |
|-------------------|----------------|
| Color | aluminum color |
| Net weight | 800 g |
| Mounting type | Screw mounting |
| Mounting position | any |

Power supply for module electronics

| | |
|----------------------|-----------------------------|
| Connection method | open cable end |
| Cable length | approx. 3 m |
| Supply voltage | 24 V DC |
| Supply voltage range | 22 V DC ... 26 V DC |
| Current consumption | typ. 0.875 A (at 24 V DC) |
| Power consumption | approx. 21 W (at 24 V DC) |
| Type of protection | Surge protection |
| | Reverse polarity protection |

Light properties

| | |
|----------------------------------|-------------------------------------------------------|
| Source of light type | LED |
| Number of LEDs | 36 |
| Service life, lighting appliance | 50,000 h (L70) |
| Light color | daylight white |
| Color temperature / wavelength | 6200 K ±10 % |
| Color rendering index | 75 |
| Luminous flux | approx. 900 lm (Net luminous flux) |
| Illumination | max. 833 lx (50 cm distance) |
| Average illumination | 449 lx (Distance of 50 cm over 1 m ² area) |
| Emission angle | 95 ° (C0-C180) |

Standards and Regulations

| | |
|------------------|---------------------------------------|
| Protection class | III (IEC 61140, EN 61140, VDE 0140-1) |
|------------------|---------------------------------------|

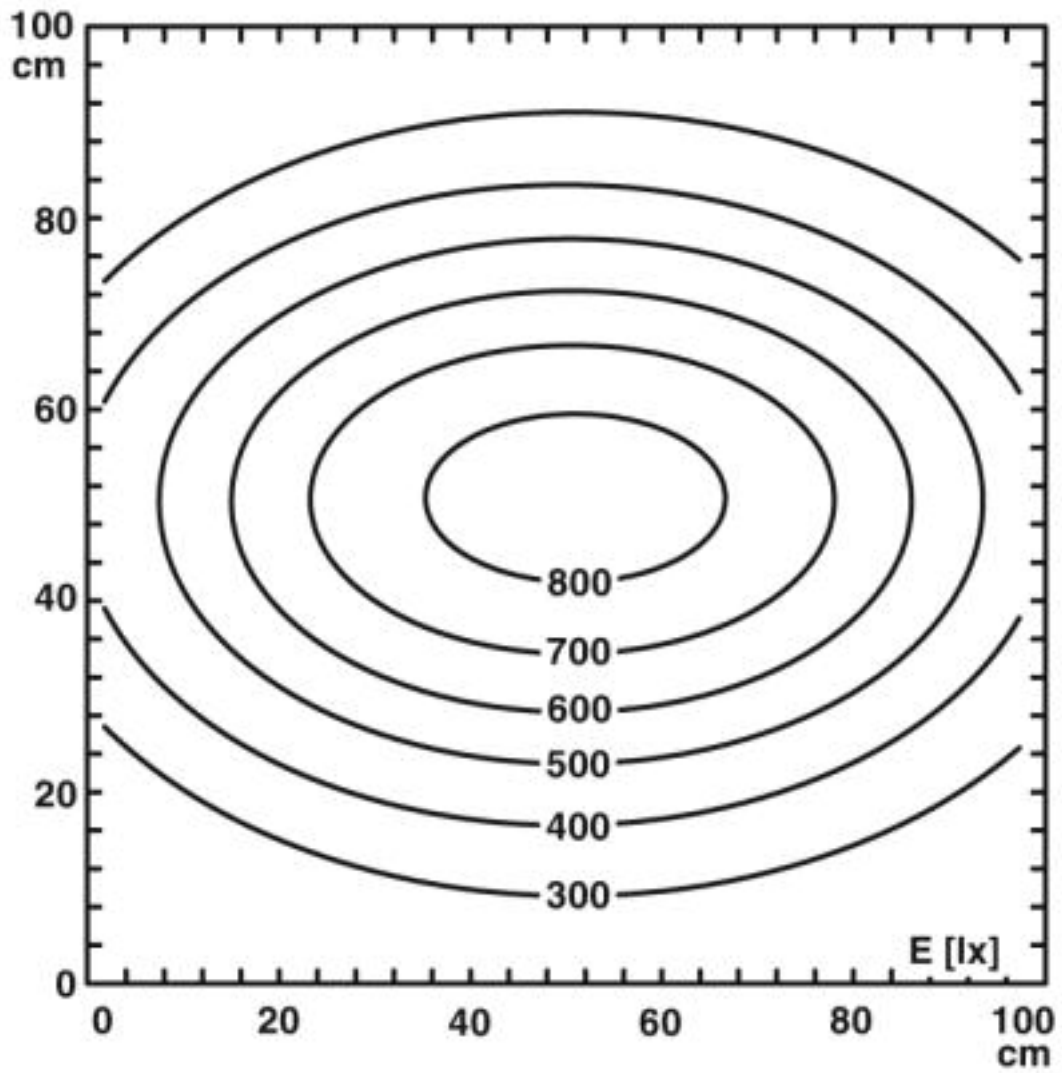
Environmental Product Compliance

| | |
|------------|---------------------------------------------------------|
| China RoHS | Environmentally friendly use period: unlimited = EFUP-e |
| | No hazardous substances above threshold values |

LED machine light - PLD M 160 W-95/105 896 - 2702478

Drawings

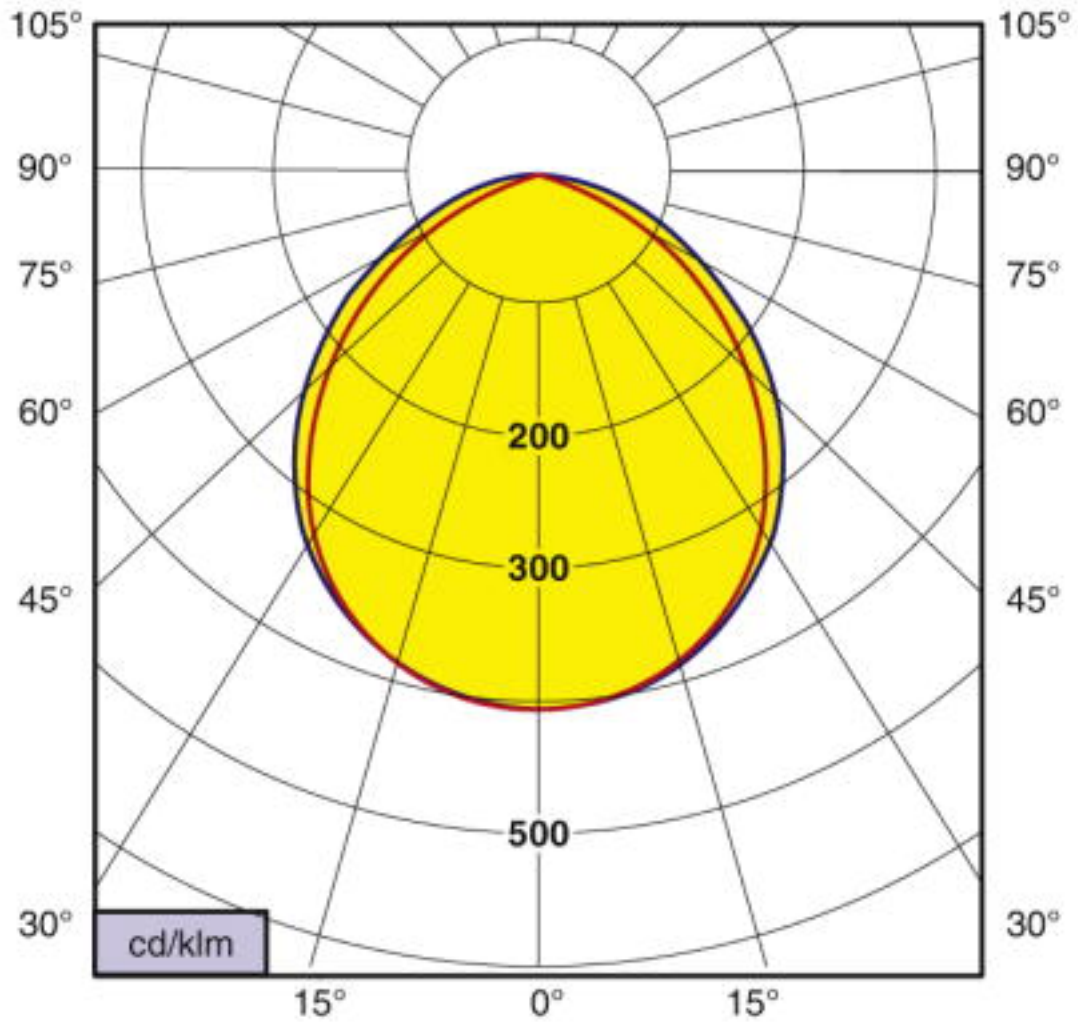
Diagram



Illuminance distribution
(distance $d = 0.5$ m)

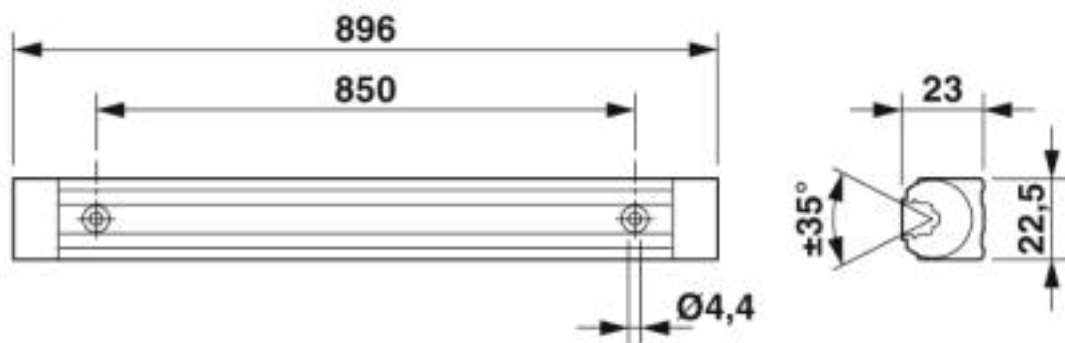
LED machine light - PLD M 160 W-95/105 896 - 2702478

Diagram



Luminous intensity distribution (LID)
(red line: C0 - C180, blue line: C90 - C270)

Dimensional drawing



LED machine light - PLD M 160 W-95/105 896 - 2702478

Classifications

eCl@ss

| | |
|------------|----------|
| eCl@ss 4.0 | 27110800 |
| eCl@ss 4.1 | 27110800 |
| eCl@ss 5.0 | 27119100 |
| eCl@ss 5.1 | 27119100 |
| eCl@ss 7.0 | 27119010 |
| eCl@ss 8.0 | 27119010 |
| eCl@ss 9.0 | 27110345 |

ETIM

| | |
|----------|----------|
| ETIM 3.0 | EC000348 |
| ETIM 4.0 | EC000348 |
| ETIM 5.0 | EC000348 |
| ETIM 6.0 | EC000302 |
| ETIM 7.0 | EC000302 |

UNSPSC

| | |
|---------------|----------|
| UNSPSC 6.01 | 39111510 |
| UNSPSC 7.0901 | 39111510 |
| UNSPSC 11 | 39111510 |
| UNSPSC 12.01 | 39111510 |
| UNSPSC 13.2 | 39101601 |
| UNSPSC 18.0 | 39101601 |
| UNSPSC 19.0 | 39101601 |
| UNSPSC 20.0 | 39101601 |
| UNSPSC 21.0 | 39101601 |

Approvals

Approvals

Approvals

ETLus / cETL / cETLus

Ex Approvals


Approval details

| | | | |
|-------|--|---------------------------------------------------------------|---------------------|
| ETLus | | http://www.intertek.com | LV-Lighting-Systems |
|-------|--|---------------------------------------------------------------|---------------------|

LED machine light - PLD M 160 W-95/105 896 - 2702478

Approvals

| | | | |
|------|-----------------------------------------------------------------------------------|---------------------------------------------------------------|------------|
| cETL |  | http://www.intertek.com | Luminaires |
|------|-----------------------------------------------------------------------------------|---------------------------------------------------------------|------------|

| | | | |
|--------|-----------------------------------------------------------------------------------|--|--|
| cETLus |  | | |
|--------|-----------------------------------------------------------------------------------|--|--|