

Cable gland - PSD-S AS CABLE GLAND M16X1,5 - 2700145


Please be informed that the data shown in this PDF Document is generated from our Online Catalog. Please find the complete data in the user's documentation. Our General Terms of Use for Downloads are valid (<http://phoenixcontact.com/download>)



M16 cable threaded joint x 1.5 mm, black



Key Commercial Data

Packing unit	1 pc
GTIN	 4 046356 491372
GTIN	4046356491372
Weight per Piece (excluding packing)	12.600 g
Custom tariff number	39269097
Country of origin	Germany
Note	Made to Order (non-returnable)

Technical data

Dimensions

Diameter	18 mm
Height	35 mm

Ambient conditions

Ambient temperature (operation)	-30 °C ... 60 °C
---------------------------------	------------------

General

Material	PA
Color	black
Weight	10 g
Mounting position	any
Scope of delivery	1 x nut
Wrench size	19.00 mm
Cable diameter	5 mm ... 10 mm

Cable gland - PSD-S AS CABLE GLAND M16X1,5 - 2700145

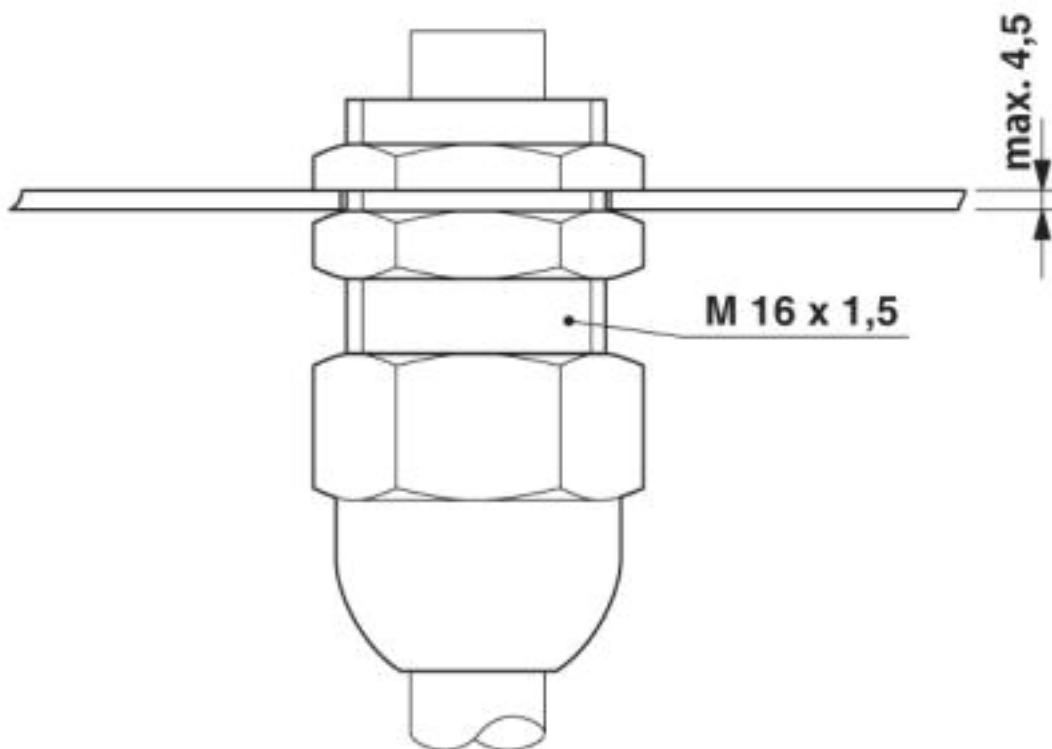
Technical data

Environmental Product Compliance

China RoHS	Environmentally friendly use period: unlimited = EFUP-e
	No hazardous substances above threshold values

Drawings

Dimensional drawing



Classifications

eCl@ss

eCl@ss 4.0	27141200
eCl@ss 4.1	27141200
eCl@ss 5.0	27149100
eCl@ss 5.1	27149100
eCl@ss 6.0	27149100
eCl@ss 7.0	27149109
eCl@ss 8.0	27149109
eCl@ss 9.0	27371232

ETIM

ETIM 3.0	EC000441
ETIM 4.0	EC000441

Cable gland - PSD-S AS CABLE GLAND M16X1,5 - 2700145

Classifications

ETIM

ETIM 5.0	EC000441
ETIM 6.0	EC001152
ETIM 7.0	EC001152

UNSPSC

UNSPSC 6.01	43172015
UNSPSC 7.0901	43201404
UNSPSC 11	39121311
UNSPSC 12.01	39121311
UNSPSC 13.2	39121311
UNSPSC 18.0	46171604
UNSPSC 19.0	46171604
UNSPSC 20.0	46171604
UNSPSC 21.0	46171604

Approvals


Approvals

Approvals

EAC

Ex Approvals

Approval details

EAC		RU *- DE.A*30.B.00237
-----	---	--------------------------