

Connection element - PSD-S CE-SM SCREW - 2700093

Please be informed that the data shown in this PDF Document is generated from our Online Catalog. Please find the complete data in the user's documentation. Our General Terms of Use for Downloads are valid (<http://phoenixcontact.com/download>)



Connection element with screw connection terminal blocks for base mounting



Key Commercial Data

| | |
|--------------------------------------|---------------|
| Packing unit | 1 pc |
| GTIN | |
| GTIN | 4046356490986 |
| Weight per Piece (excluding packing) | 94.500 g |
| Custom tariff number | 85318070 |
| Country of origin | Germany |

Technical data

Dimensions

| | |
|----------|-------|
| Diameter | 69 mm |
| Height | 27 mm |

Ambient conditions

| | |
|---------------------------------|----------------------|
| Ambient temperature (operation) | -30 °C ... 50 °C |
| Degree of protection | IP65, when installed |

General

| | |
|-------------------------------------|--|
| Material | PA-GF |
| Color | black |
| Weight | 83 g |
| Mounting position | any |
| Mounting type | Base mounting |
| Assembly instructions | Rubber seal pre-installed for each element |
| Number of mountable signal elements | max. 5 |
| Scope of delivery | End cover and seal |

Connection element - PSD-S CE-SM SCREW - 2700093

Technical data

Electrical data

| | |
|-----------------------------|----------------------------|
| Nominal input voltage range | 12 V AC/DC ... 240 V AC/DC |
|-----------------------------|----------------------------|

Connection data

| | |
|--|----------------------|
| Designation | without ferrule |
| Connection method | Screw connection |
| Conductor cross section flexible min. | 0.5 mm ² |
| Conductor cross section flexible max. | 1.5 mm ² |
| Min. AWG conductor cross section, flexible | 20 |
| Max. AWG conductor cross section, flexible | 15 |
| Designation | With ferrule |
| Connection method | Screw connection |
| Conductor cross section flexible min. | 0.25 mm ² |
| Conductor cross section flexible max. | 1.5 mm ² |
| Min. AWG conductor cross section, flexible | 23 |
| Max. AWG conductor cross section, flexible | 15 |
| Designation | solid |
| Connection method | Screw connection |
| Conductor cross section solid min. | 0.5 mm ² |
| Conductor cross section solid max. | 1.5 mm ² |
| Single-wire/terminal point, solid AWG min. | 20 |
| Single-wire/terminal point, solid AWG max. | 15 |

Approvals / conformities

| | |
|-------------------------------|---|
| Electromagnetic compatibility | Conformance with EMC directive 2004/108/EC and for low-voltage directive 2006/95/EC |
|-------------------------------|---|

Standards and Regulations

| | |
|-------------------------------|---|
| Electromagnetic compatibility | Conformance with EMC directive 2004/108/EC and for low-voltage directive 2006/95/EC |
|-------------------------------|---|

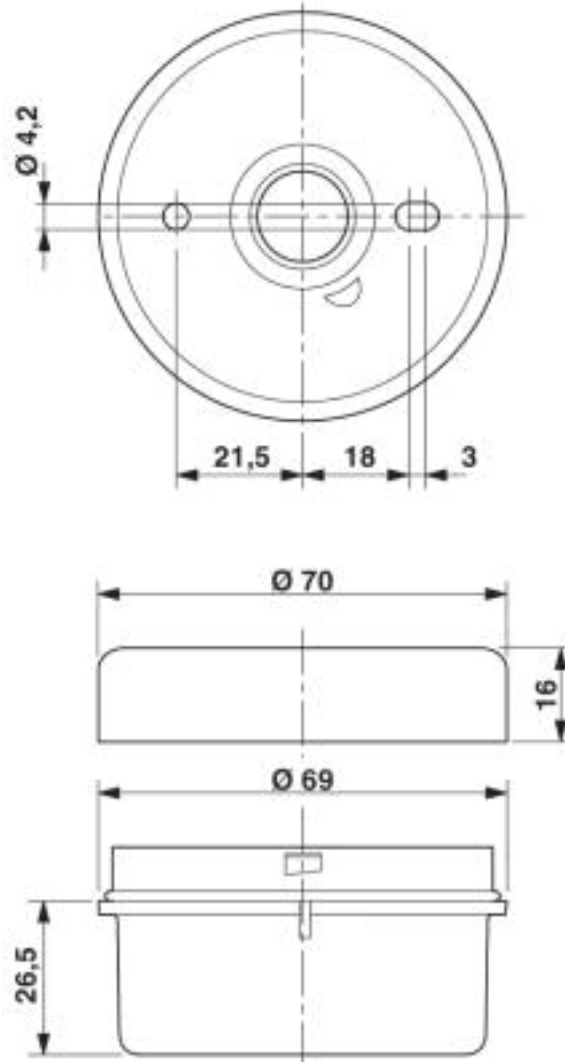
Environmental Product Compliance

| | |
|------------|---|
| | Lead 7439-92-1 |
| China RoHS | Environmentally Friendly Use Period = 50 |
| | For details about hazardous substances go to tab "Downloads", Category "Manufacturer's declaration" |

Drawings

Connection element - PSD-S CE-SM SCREW - 2700093

Dimensional drawing



Classifications

eCl@ss

| | |
|------------|----------|
| eCl@ss 4.0 | 27143200 |
| eCl@ss 4.1 | 27143200 |
| eCl@ss 5.0 | 27371200 |
| eCl@ss 5.1 | 27371200 |
| eCl@ss 6.0 | 27371200 |
| eCl@ss 7.0 | 27371232 |
| eCl@ss 8.0 | 27371232 |
| eCl@ss 9.0 | 27371232 |

Connection element - PSD-S CE-SM SCREW - 2700093

Classifications

ETIM

| | |
|----------|----------|
| ETIM 3.0 | EC001152 |
| ETIM 4.0 | EC001152 |
| ETIM 5.0 | EC001152 |
| ETIM 6.0 | EC001152 |
| ETIM 7.0 | EC001152 |

UNSPSC

| | |
|---------------|----------|
| UNSPSC 6.01 | 43172015 |
| UNSPSC 7.0901 | 43201404 |
| UNSPSC 11 | 39121311 |
| UNSPSC 12.01 | 39121311 |
| UNSPSC 13.2 | 39121311 |
| UNSPSC 18.0 | 46171604 |
| UNSPSC 19.0 | 46171604 |
| UNSPSC 20.0 | 46171604 |
| UNSPSC 21.0 | 46171604 |

Approvals

Approvals


Approvals


UL Listed / cUL Listed / EAC / EAC / cULus Listed

Ex Approvals

Approval details

| | | | |
|-----------|---|---|---------------|
| UL Listed |  | http://database.ul.com/cgi-bin/XYV/template/LISEXT/1FRAME/index.htm | FILE E 123528 |
|-----------|---|---|---------------|

| | | | |
|------------|---|---|---------------|
| cUL Listed |  | http://database.ul.com/cgi-bin/XYV/template/LISEXT/1FRAME/index.htm | FILE E 123528 |
|------------|---|---|---------------|

| | | |
|-----|---|---------------|
| EAC |  | EAC-Zulassung |
|-----|---|---------------|

Connection element - PSD-S CE-SM SCREW - 2700093

Approvals

| | | |
|-----|--|--------------------------|
| EAC | | RU *- DE.A*30.B.00237 |
|-----|--|--------------------------|

| | |
|--------------|--|
| cULus Listed | |
|--------------|--|

Accessories

Accessories

Assembly element

Mounting material - PSD-S ME OB - 2700153



Outlet box with lateral cable entry for floor and base mounting

Mounting brackets - PSD-S ME BR-SM - 2700144



Angle for floor mounting, black

Mounting brackets - PSD-S ME BR-SM/1S - 2700160



Angle for single-sided floor mounting, concealed cable routing, black

Mounting brackets - PSD-S ME BR-SM/2S - 2700161



Angle for two-sided floor mounting, concealed cable routing, black

