

# Connection element - PSD-S CE-SM SPRING - 2700091


Please be informed that the data shown in this PDF Document is generated from our Online Catalog. Please find the complete data in the user's documentation. Our General Terms of Use for Downloads are valid (<http://phoenixcontact.com/download>)



Connection element with spring-cage terminal blocks for base mounting



## Key Commercial Data

Packing unit	1 pc
GTIN	 4 046356 490146
GTIN	4046356490146
Weight per Piece (excluding packing)	86.000 g
Custom tariff number	85318040
Country of origin	Germany

## Technical data

### Dimensions

Diameter	69 mm
Height	27 mm

### Ambient conditions

Ambient temperature (operation)	-30 °C ... 50 °C
Degree of protection	IP65, when installed

### General

Material	PA-GF
Color	black
Weight	75 g
Mounting position	any
Mounting type	Base mounting
Assembly instructions	Rubber seal pre-installed for each element
Number of mountable signal elements	max. 5
Scope of delivery	End cover and seal

# Connection element - PSD-S CE-SM SPRING - 2700091

## Technical data

### Electrical data

Nominal input voltage range	12 V AC/DC ... 240 V AC/DC
-----------------------------	----------------------------

### Connection data

Designation	without ferrule
Connection method	Spring-cage connection
Conductor cross section flexible min.	0.5 mm <sup>2</sup>
Conductor cross section flexible max.	1.5 mm <sup>2</sup>
Min. AWG conductor cross section, flexible	20
Max. AWG conductor cross section, flexible	15
Designation	With ferrule
Connection method	Spring-cage connection
Conductor cross section flexible min.	0.25 mm <sup>2</sup>
Conductor cross section flexible max.	1.5 mm <sup>2</sup>
Min. AWG conductor cross section, flexible	23
Max. AWG conductor cross section, flexible	15
Designation	solid
Connection method	Spring-cage connection
Conductor cross section solid min.	0.5 mm <sup>2</sup>
Conductor cross section solid max.	1.5 mm <sup>2</sup>
Single-wire/terminal point, solid AWG min.	20
Single-wire/terminal point, solid AWG max.	15

### Approvals / conformities

Electromagnetic compatibility	Conformance with EMC directive 2004/108/EC and for low-voltage directive 2006/95/EC
-------------------------------	---

### Standards and Regulations

Electromagnetic compatibility	Conformance with EMC directive 2004/108/EC and for low-voltage directive 2006/95/EC
-------------------------------	---

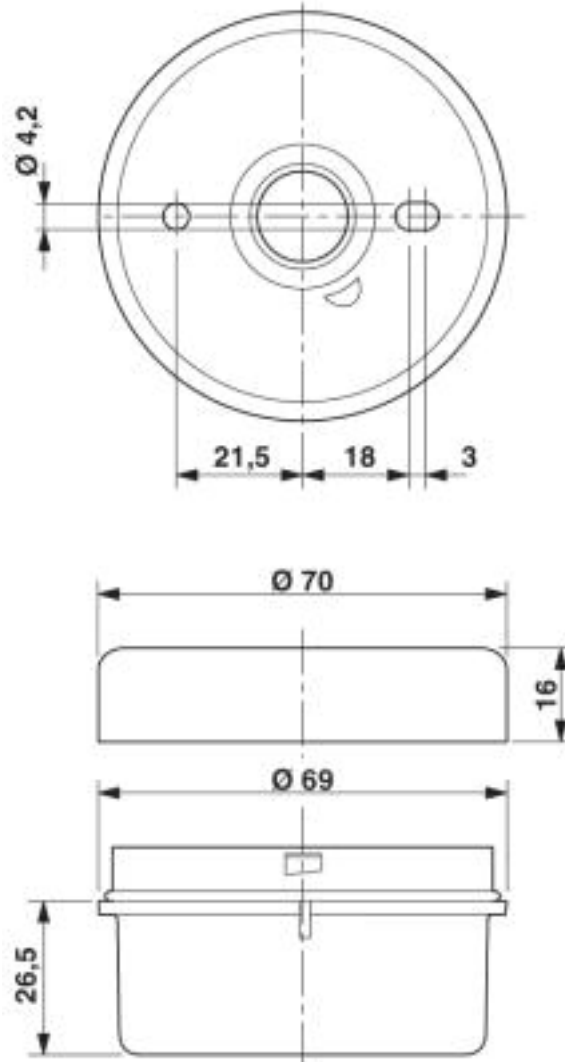
### Environmental Product Compliance

China RoHS	Environmentally friendly use period: unlimited = EFUP-e
	No hazardous substances above threshold values

## Drawings

# Connection element - PSD-S CE-SM SPRING - 2700091

Dimensional drawing



## Classifications

eCl@ss

eCl@ss 4.0	27143200
eCl@ss 4.1	27143200
eCl@ss 5.0	27371200
eCl@ss 5.1	27371200
eCl@ss 6.0	27371200
eCl@ss 7.0	27371232
eCl@ss 8.0	27371232
eCl@ss 9.0	27371232

# Connection element - PSD-S CE-SM SPRING - 2700091

## Classifications

### ETIM

ETIM 3.0	EC001152
ETIM 4.0	EC001152
ETIM 5.0	EC001152
ETIM 6.0	EC001152
ETIM 7.0	EC001152

### UNSPSC

UNSPSC 6.01	43172015
UNSPSC 7.0901	43201404
UNSPSC 11	39121311
UNSPSC 12.01	39121311
UNSPSC 13.2	39121311
UNSPSC 18.0	46171604
UNSPSC 19.0	46171604
UNSPSC 20.0	46171604
UNSPSC 21.0	46171604

## Approvals

### Approvals

#### Approvals

UL Listed / cUL Listed / EAC / EAC / cULus Listed

#### Ex Approvals

### Approval details

UL Listed		<a href="http://database.ul.com/cgi-bin/XYV/template/LISEXT/1FRAME/index.htm">http://database.ul.com/cgi-bin/XYV/template/LISEXT/1FRAME/index.htm</a>	FILE E 123528
-----------	--	---	---------------

cUL Listed		<a href="http://database.ul.com/cgi-bin/XYV/template/LISEXT/1FRAME/index.htm">http://database.ul.com/cgi-bin/XYV/template/LISEXT/1FRAME/index.htm</a>	FILE E 123528
------------	--	---	---------------

EAC		EAC-Zulassung
-----	--	---------------

# Connection element - PSD-S CE-SM SPRING - 2700091

## Approvals

EAC		RU *- DE.A*30.B.00237
-----	--	--------------------------

cULus Listed	
--------------	--

## Accessories

### Accessories

#### Assembly element

Mounting material - PSD-S ME OB - 2700153



Outlet box with lateral cable entry for floor and base mounting

Mounting brackets - PSD-S ME BR-SM - 2700144



Angle for floor mounting, black

Mounting brackets - PSD-S ME BR-SM/1S - 2700160



Angle for single-sided floor mounting, concealed cable routing, black

Mounting brackets - PSD-S ME BR-SM/2S - 2700161



Angle for two-sided floor mounting, concealed cable routing, black

