

Connection element - PSD-S CE-TM SPRING - 2700092


Please be informed that the data shown in this PDF Document is generated from our Online Catalog. Please find the complete data in the user's documentation. Our General Terms of Use for Downloads are valid (<http://phoenixcontact.com/download>)



Connection element with spring-cage terminal blocks for tube mounting

RoHS

Key Commercial Data

| | |
|--------------------------------------|---|
| Packing unit | 1 pc |
| GTIN |  4 046356 490153 |
| GTIN | 4046356490153 |
| Weight per Piece (excluding packing) | 84.300 g |
| Custom tariff number | 85319000 |
| Country of origin | Germany |

Technical data

Dimensions

| | |
|----------|-------|
| Diameter | 69 mm |
| Height | 27 mm |

Ambient conditions

| | |
|---------------------------------|----------------------|
| Ambient temperature (operation) | -30 °C ... 50 °C |
| Degree of protection | IP65, when installed |

General

| | |
|-------------------------------------|--|
| Material | PA-GF |
| Color | black |
| Weight | 77 g |
| Mounting position | any |
| Mounting type | Tube mounting |
| Assembly instructions | Rubber seal pre-installed for each element |
| Number of mountable signal elements | max. 5 |
| Scope of delivery | End cover and seal |

Connection element - PSD-S CE-TM SPRING - 2700092

Technical data

Electrical data

| | |
|-----------------------------|----------------------------|
| Nominal input voltage range | 12 V AC/DC ... 240 V AC/DC |
|-----------------------------|----------------------------|

Connection data

| | |
|--|------------------------|
| Designation | without ferrule |
| Connection method | Spring-cage connection |
| Conductor cross section flexible min. | 0.5 mm ² |
| Conductor cross section flexible max. | 1.5 mm ² |
| Min. AWG conductor cross section, flexible | 20 |
| Max. AWG conductor cross section, flexible | 15 |
| Designation | With ferrule |
| Connection method | Spring-cage connection |
| Conductor cross section flexible min. | 0.25 mm ² |
| Conductor cross section flexible max. | 1.5 mm ² |
| Min. AWG conductor cross section, flexible | 23 |
| Max. AWG conductor cross section, flexible | 15 |
| Designation | solid |
| Connection method | Spring-cage connection |
| Conductor cross section solid min. | 0.5 mm ² |
| Conductor cross section solid max. | 1.5 mm ² |
| Single-wire/terminal point, solid AWG min. | 20 |
| Single-wire/terminal point, solid AWG max. | 15 |

Approvals / conformities

| | |
|-------------------------------|---|
| Electromagnetic compatibility | Conformance with EMC directive 2004/108/EC and for low-voltage directive 2006/95/EC |
|-------------------------------|---|

Standards and Regulations

| | |
|-------------------------------|---|
| Electromagnetic compatibility | Conformance with EMC directive 2004/108/EC and for low-voltage directive 2006/95/EC |
|-------------------------------|---|

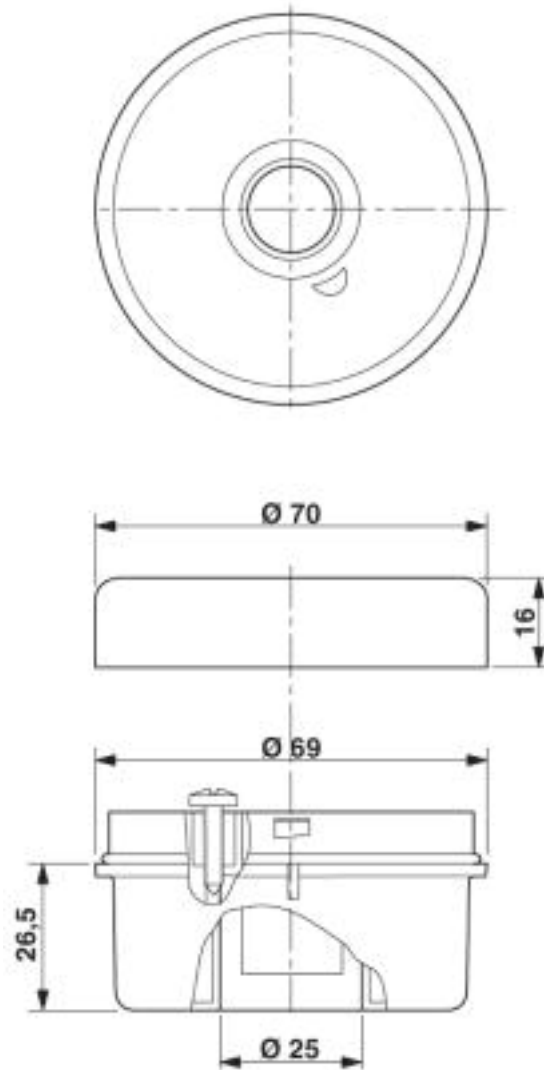
Environmental Product Compliance

| | |
|------------|---|
| China RoHS | Environmentally friendly use period: unlimited = EFUP-e |
| | No hazardous substances above threshold values |

Drawings

Connection element - PSD-S CE-TM SPRING - 2700092

Dimensional drawing



Classifications

eCl@ss

| | |
|------------|----------|
| eCl@ss 4.0 | 27143200 |
| eCl@ss 4.1 | 27143200 |
| eCl@ss 5.0 | 27371200 |
| eCl@ss 5.1 | 27371200 |
| eCl@ss 6.0 | 27371200 |
| eCl@ss 7.0 | 27371232 |
| eCl@ss 8.0 | 27371232 |
| eCl@ss 9.0 | 27371232 |

Connection element - PSD-S CE-TM SPRING - 2700092

Classifications

ETIM

| | |
|----------|----------|
| ETIM 3.0 | EC001152 |
| ETIM 4.0 | EC001152 |
| ETIM 5.0 | EC001152 |
| ETIM 6.0 | EC001152 |
| ETIM 7.0 | EC001152 |

UNSPSC

| | |
|---------------|----------|
| UNSPSC 6.01 | 43172015 |
| UNSPSC 7.0901 | 43201404 |
| UNSPSC 11 | 39121311 |
| UNSPSC 12.01 | 39121311 |
| UNSPSC 13.2 | 39121311 |
| UNSPSC 18.0 | 46171604 |
| UNSPSC 19.0 | 46171604 |
| UNSPSC 20.0 | 46171604 |
| UNSPSC 21.0 | 46171604 |

Approvals

Approvals

Approvals

UL Listed / cUL Listed / EAC / EAC / cULus Listed

Ex Approvals

Approval details

| | | | |
|-----------|--|---|---------------|
| UL Listed | | http://database.ul.com/cgi-bin/XYV/template/LISEXT/1FRAME/index.htm | FILE E 123528 |
|-----------|--|---|---------------|

| | | | |
|------------|--|---|---------------|
| cUL Listed | | http://database.ul.com/cgi-bin/XYV/template/LISEXT/1FRAME/index.htm | FILE E 123528 |
|------------|--|---|---------------|

| | | |
|-----|--|---------------|
| EAC | | EAC-Zulassung |
|-----|--|---------------|

Connection element - PSD-S CE-TM SPRING - 2700092

Approvals

| | | |
|-----|--|--------------------------|
| EAC | | RU *- DE.A*30.B.00237 |
|-----|--|--------------------------|

| | |
|--------------|--|
| cULus Listed | |
|--------------|--|

Accessories

Accessories

Assembly element

Adapter - PSD-S ME A-SH M18 - 2700150



Adapter for single-hole mounting

Mounting material - PSD-S ME BT 110 - 2700156



Foot with integrated tube, 110 mm high, black

Mounting material - PSD-S ME T-M 250 - 2700157



Tube, 250 mm high, Ø 25 mm

Mounting material - PSD-S ME T-M 400 - 2700158



Tube, 400 mm high, Ø 25 mm

Connection element - PSD-S CE-TM SPRING - 2700092

Accessories

Mounting material - PSD-S ME T-M 1000 - 2700154



Tube, 1000 mm long, Ø 25 mm

Mounting material - PSD-S ME B-M - 2700164



Foot for tube Ø 25 mm, aluminium, black

Mounting material - PSD-S ME B-P - 2700163



Foot for tube Ø 25 mm, plastic, black

Mounting material - PSD-S ME T-P 45 - 2700152



Tube, 45 mm long, Ø 25 mm, for direct tube mounting on the foldaway base

Mounting material - PSD-S ME FB - 2700151



Foldaway base, pitch 7.5°, black

Connection element - PSD-S CE-TM SPRING - 2700092

Accessories

Mounting material - PSD-S ME OB - 2700153



Outlet box with lateral cable entry for floor and base mounting

Mounting material - PSD-S ME OB/MB - 2700155



Outlet box with magnetic base for base mounting, black

Mounting brackets - PSD-S ME BR-BM/HCR - 2700149



Angle for base mounting, concealed cable routing, black

Mounting brackets - PSD-S ME BR-BM - 2700143



Angle for base mounting, black
