

Mounting material - PSD-S ME B-M - 2700164


Please be informed that the data shown in this PDF Document is generated from our Online Catalog. Please find the complete data in the user's documentation. Our General Terms of Use for Downloads are valid (<http://phoenixcontact.com/download>)



Foot for tube Ø 25 mm, aluminium, black



Key Commercial Data

Packing unit	1 pc
GTIN	 4 046356 491532
GTIN	4046356491532
Weight per Piece (excluding packing)	109.400 g
Custom tariff number	76169990
Country of origin	Germany

Technical data

Dimensions

Diameter	70 mm
Height	31 mm

Ambient conditions

Ambient temperature (operation)	-30 °C ... 60 °C
---------------------------------	------------------

General

Material	Anodized aluminum
Color	black
Weight	110 g
Mounting position	any
Mounting type	Tube mounting Base mounting
Assembly instructions	Seal is supplied with
Scope of delivery	1 x terminal block screw (Allen screw) 1 x seal

Mounting material - PSD-S ME B-M - 2700164

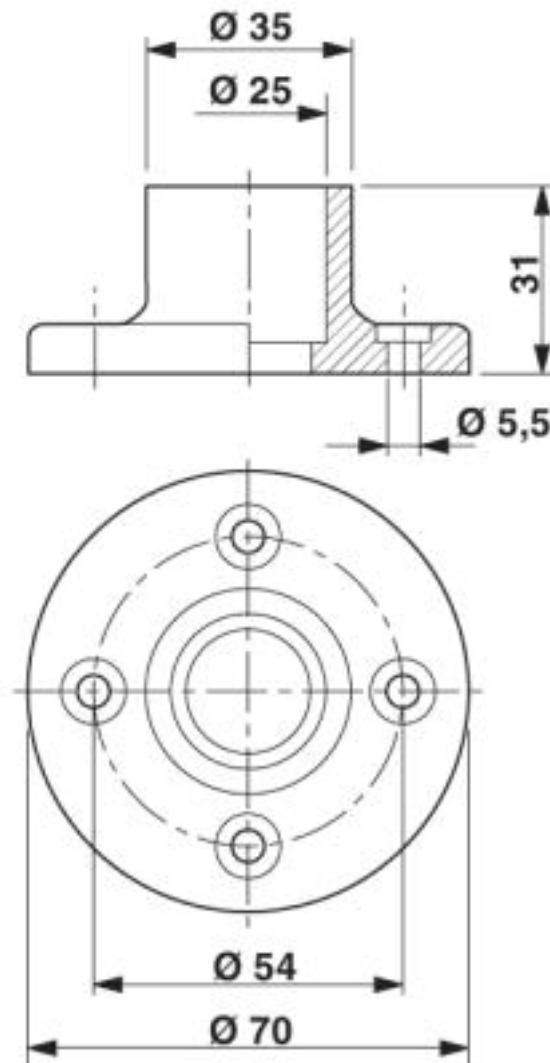
Technical data

Environmental Product Compliance

China RoHS	Environmentally friendly use period: unlimited = EFUP-e
	No hazardous substances above threshold values

Drawings

Dimensional drawing



Classifications

eCl@ss

eCl@ss 4.0	27143200
eCl@ss 4.1	27143200
eCl@ss 5.0	27371200

Mounting material - PSD-S ME B-M - 2700164

Classifications

eCl@ss

eCl@ss 5.1	27371200
eCl@ss 6.0	27371200
eCl@ss 7.0	27371235
eCl@ss 8.0	27371235
eCl@ss 9.0	27371235

ETIM

ETIM 3.0	EC001154
ETIM 4.0	EC001154
ETIM 5.0	EC001154
ETIM 6.0	EC001154
ETIM 7.0	EC001154

UNSPSC

UNSPSC 6.01	43172015
UNSPSC 7.0901	43201404
UNSPSC 11	39121311
UNSPSC 12.01	39121311
UNSPSC 13.2	43221528
UNSPSC 18.0	43221528
UNSPSC 19.0	43221528
UNSPSC 20.0	43221528
UNSPSC 21.0	43221528

Approvals

Approvals

Approvals

EAC / EAC

Ex Approvals

Approval details

EAC		EAC-Zulassung
-----	--	---------------

Mounting material - PSD-S ME B-M - 2700164

Approvals

EAC



RU *-
DE.A*30.B.00237