

Mounting brackets - PSD-S ME BR-SM/1S - 2700160

Please be informed that the data shown in this PDF Document is generated from our Online Catalog. Please find the complete data in the user's documentation. Our General Terms of Use for Downloads are valid (<http://phoenixcontact.com/download>)


Angle for single-sided floor mounting, concealed cable routing, black



Your advantages

- One-sided assembly for up to 5 signal elements
- With concealed cable routing

Key Commercial Data

| | |
|--------------------------------------|---|
| Packing unit | 1 pc |
| GTIN |  4 046356 491501 |
| GTIN | 4046356491501 |
| Weight per Piece (excluding packing) | 70.800 g |
| Custom tariff number | 39263000 |
| Country of origin | Germany |

Technical data

Dimensions

| | |
|----------|-------|
| Diameter | 70 mm |
| Height | 98 mm |

Ambient conditions

| | |
|---------------------------------|------------------|
| Ambient temperature (operation) | -30 °C ... 60 °C |
|---------------------------------|------------------|

General

| | |
|-------------------|---------------|
| Material | PA A3 x 2G5 |
| Color | black |
| Weight | 78 g |
| Mounting position | any |
| Mounting type | Base mounting |

Mounting brackets - PSD-S ME BR-SM/1S - 2700160

Technical data

General

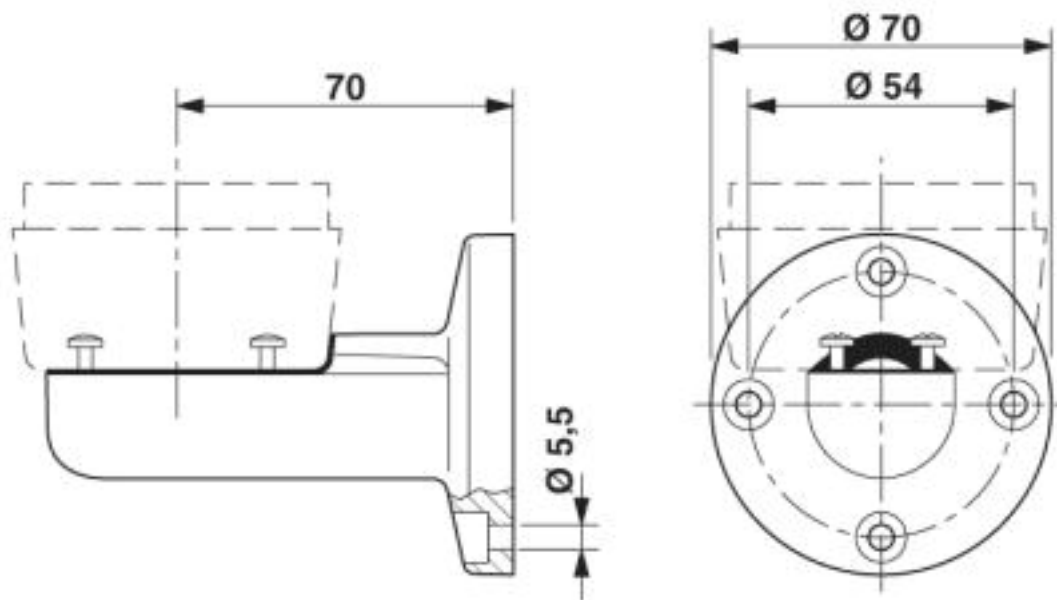
| | |
|-----------------------|----------------------------------|
| Assembly instructions | Seal is supplied with |
| Scope of delivery | 2 x lens sheet screw 2 x seal |

Environmental Product Compliance

| | |
|------------|---|
| China RoHS | Environmentally friendly use period: unlimited = EFUP-e |
| | No hazardous substances above threshold values |

Drawings

Dimensional drawing



Classifications

eCl@ss

| | |
|------------|----------|
| eCl@ss 4.0 | 27143200 |
| eCl@ss 4.1 | 27143200 |
| eCl@ss 5.0 | 27371200 |
| eCl@ss 5.1 | 27371200 |
| eCl@ss 6.0 | 27371200 |
| eCl@ss 7.0 | 27371233 |
| eCl@ss 8.0 | 27371233 |
| eCl@ss 9.0 | 27371233 |

ETIM

| | |
|----------|----------|
| ETIM 3.0 | EC001152 |
|----------|----------|

Mounting brackets - PSD-S ME BR-SM/1S - 2700160

Classifications

ETIM

| | |
|----------|----------|
| ETIM 4.0 | EC001152 |
| ETIM 5.0 | EC001153 |
| ETIM 6.0 | EC001153 |
| ETIM 7.0 | EC001153 |

UNSPSC

| | |
|---------------|----------|
| UNSPSC 6.01 | 43172015 |
| UNSPSC 7.0901 | 43201404 |
| UNSPSC 11 | 39121311 |
| UNSPSC 12.01 | 39121311 |
| UNSPSC 13.2 | 39121311 |
| UNSPSC 18.0 | 46171604 |
| UNSPSC 19.0 | 46171604 |
| UNSPSC 20.0 | 46171604 |
| UNSPSC 21.0 | 46171604 |

Approvals

Approvals

Approvals

EAC / EAC

Ex Approvals

Approval details

| | | |
|-----|--|---------------|
| EAC | | EAC-Zulassung |
|-----|--|---------------|

| | | |
|-----|--|--------------------------|
| EAC | | RU *- DE.A*30.B.00237 |
|-----|--|--------------------------|