

# Valve connectors - SACC-V-3CON-PG9/A-1L-S - 1671137

Please be informed that the data shown in this PDF Document is generated from our Online Catalog. Please find the complete data in the user's documentation. Our General Terms of Use for Downloads are valid (<http://phoenixcontact.com/download>)



Valve connectors, Universal, 3-position, Valve connector A, with 1 LED, connected with Zener diode, Screw connection, cable gland Pg9, external cable diameter 6 mm ... 8 mm



## Key Commercial Data

Packing unit	1 pc
GTIN	
GTIN	4017918134983
Weight per Piece (excluding packing)	34.600 g
Custom tariff number	85366990
Country of origin	Czech Republic

## Technical data

### Dimensions

External diameter	6 mm ... 8 mm
-------------------	---------------

### Ambient conditions

Ambient temperature (operation)	-25 °C ... 60 °C (valve plug)
Degree of protection	IP65

### General

Note	NOTE: Observe the permissible bending radii when laying conductors, since the degree of protection may be put in jeopardy if the bending forces are too high. Alleviate mechanical loads upstream of the connector, e.g. by using cable ties.
Rated current at 40°C	4 A
Rated voltage	24 V AC
	24 V DC
Number of positions	3
Insulation resistance	> 2 GΩ
Standards/regulations	Valve connector EN 175301-803

## Valve connectors - SACC-V-3CON-PG9/A-1L-S - 1671137

### Technical data

#### General

Signal type/category	Universal
Status display	Yellow LED
Protective circuit/component	Z diode
Overvoltage category	II
Degree of pollution	3
Connection method	Screw connection
Conductor cross section	0.34 mm <sup>2</sup> ... 2.5 mm <sup>2</sup>
Conductor cross section AWG	22 ... 13
Insertion/withdrawal cycles	50 (Valve connector)

#### Material

Flammability rating according to UL 94	HB
Valve plug contact material	CuSn
Valve plug contact surface material	Ag
Valve plug contact insert material	PBT
Material housing valve plug	PA

#### Cable

Standards/specifications	Valve connector EN 175301-803
--------------------------	-------------------------------

#### Standards and Regulations

Standards/specifications	Valve connector EN 175301-803
Flammability rating according to UL 94	HB

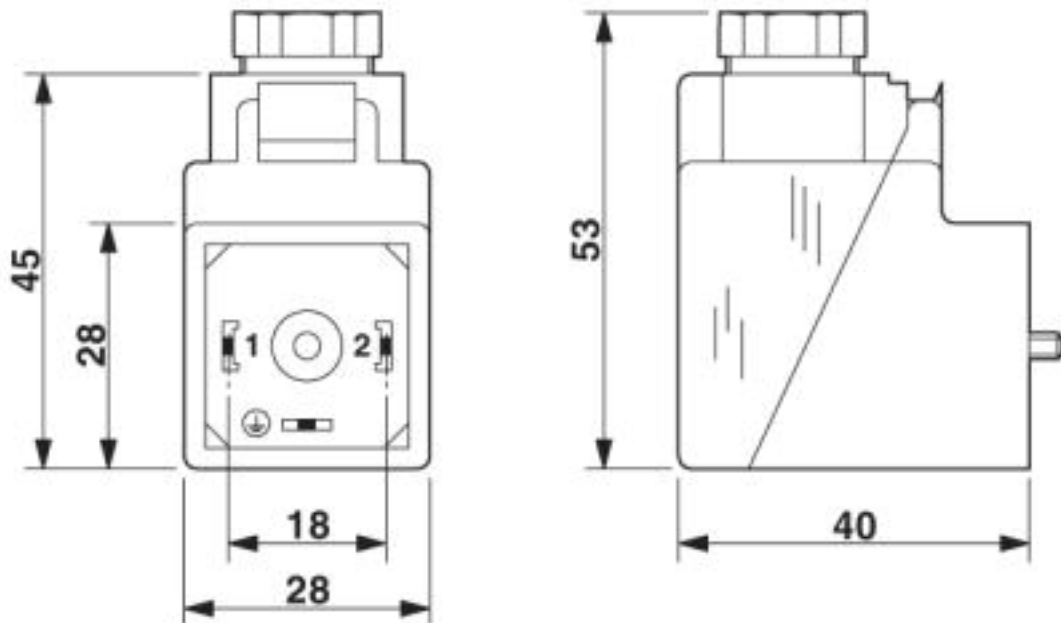
#### Environmental Product Compliance

REACH SVHC	Lead 7439-92-1
China RoHS	Environmentally Friendly Use Period = 25;
	For details about hazardous substances go to tab "Downloads", Category "Manufacturer's declaration"

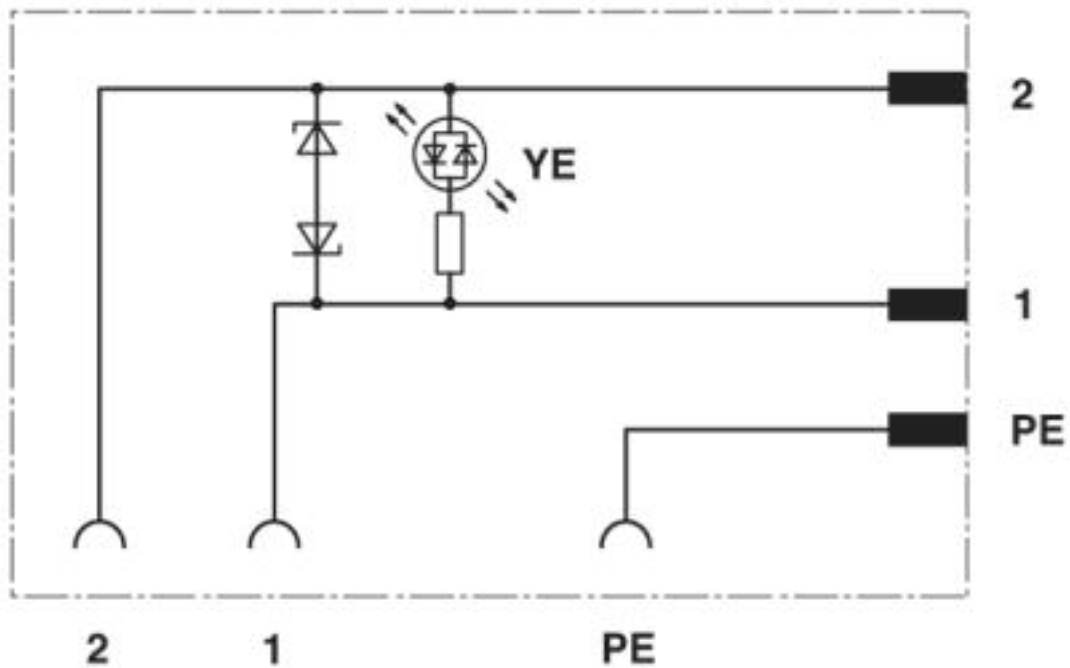
### Drawings

# Valve connectors - SACC-V-3CON-PG9/A-1L-S - 1671137

Dimensional drawing



Circuit diagram



## Classifications

eCl@ss

eCl@ss 4.0	27140800
eCl@ss 4.1	27140800

# Valve connectors - SACC-V-3CON-PG9/A-1L-S - 1671137

## Classifications

### eCl@ss

eCl@ss 5.0	27143400
eCl@ss 5.1	27143400
eCl@ss 6.0	27279200
eCl@ss 7.0	27440104
eCl@ss 8.0	27440104
eCl@ss 9.0	27440105

### ETIM

ETIM 2.0	EC001121
ETIM 3.0	EC002062
ETIM 4.0	EC002062
ETIM 5.0	EC002062
ETIM 6.0	EC002925
ETIM 7.0	EC002925

### UNSPSC

UNSPSC 6.01	31251501
UNSPSC 7.0901	31251501
UNSPSC 11	31251501
UNSPSC 12.01	31251501
UNSPSC 13.2	32151909
UNSPSC 19.0	31251501
UNSPSC 20.0	31251501
UNSPSC 21.0	31251501

## Approvals

### Approvals

---

Approvals

EAC / EAC

---

Ex Approvals

---

### Approval details

EAC		EAC-Zulassung
-----	---	---------------

## Valve connectors - SACC-V-3CON-PG9/A-1L-S - 1671137

### Approvals

EAC



RU C-  
DE.BL08.B.00511

### Accessories

#### Accessories

#### Cable by the meter

Cable reel - SAC-3P-100,0-PUR/0,5 - 1457393



Cable ring, PUR black, 3-pos., conductor colors: black 1-2/green-yellow, cable length: 100 m