

Valve connectors - SACC-V-3CON-PG9/BI-1L-S - 1671140

Please be informed that the data shown in this PDF Document is generated from our Online Catalog. Please find the complete data in the user's documentation. Our General Terms of Use for Downloads are valid (<http://phoenixcontact.com/download>)



Valve connectors, Universal, 3-position, Valve connector BI (11 mm), with 1 LED, connected with Zener diode, Screw connection, cable gland Pg9, external cable diameter 6 mm ... 8 mm



Key Commercial Data

| | |
|--------------------------------------|----------------|
| Packing unit | 1 pc |
| GTIN | |
| GTIN | 4017918134990 |
| Weight per Piece (excluding packing) | 31.410 g |
| Custom tariff number | 85366990 |
| Country of origin | Czech Republic |

Technical data

Dimensions

| | |
|-------------------|---------------|
| External diameter | 6 mm ... 8 mm |
|-------------------|---------------|

Ambient conditions

| | |
|---------------------------------|-------------------------------|
| Ambient temperature (operation) | -25 °C ... 60 °C (valve plug) |
| Degree of protection | IP65 |

General

| | |
|-----------------------|---|
| Note | NOTE: Observe the permissible bending radii when laying conductors, since the degree of protection may be put in jeopardy if the bending forces are too high. Alleviate mechanical loads upstream of the connector, e.g. by using cable ties. |
| Rated current at 40°C | 4 A |
| Rated voltage | 24 V AC |
| | 24 V DC |
| Number of positions | 3 |
| Insulation resistance | > 2 GΩ |
| Signal type/category | Universal |

Valve connectors - SACC-V-3CON-PG9/BI-1L-S - 1671140

Technical data

General

| | |
|------------------------------|--|
| Status display | Yellow LED |
| Protective circuit/component | Z diode |
| Overvoltage category | II |
| Degree of pollution | 3 |
| Connection method | Screw connection |
| Conductor cross section | 0.34 mm ² ... 2.5 mm ² |
| Conductor cross section AWG | 22 ... 13 |
| Insertion/withdrawal cycles | 50 (Valve connector) |

Material

| | |
|--|------|
| Flammability rating according to UL 94 | HB |
| Valve plug contact material | CuSn |
| Valve plug contact surface material | Ag |
| Valve plug contact insert material | PBT |
| Material housing valve plug | PA |

Standards and Regulations

| | |
|--|----|
| Flammability rating according to UL 94 | HB |
|--|----|

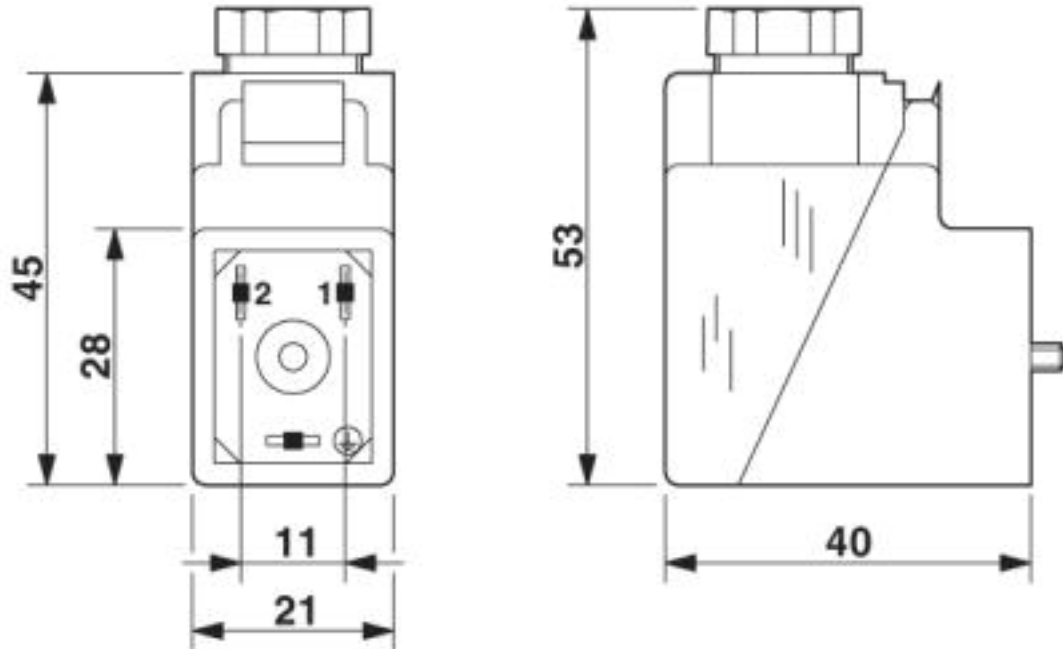
Environmental Product Compliance

| | |
|------------|---|
| REACH SVHC | Lead 7439-92-1 |
| China RoHS | Environmentally Friendly Use Period = 25; |
| | For details about hazardous substances go to tab "Downloads", Category "Manufacturer's declaration" |

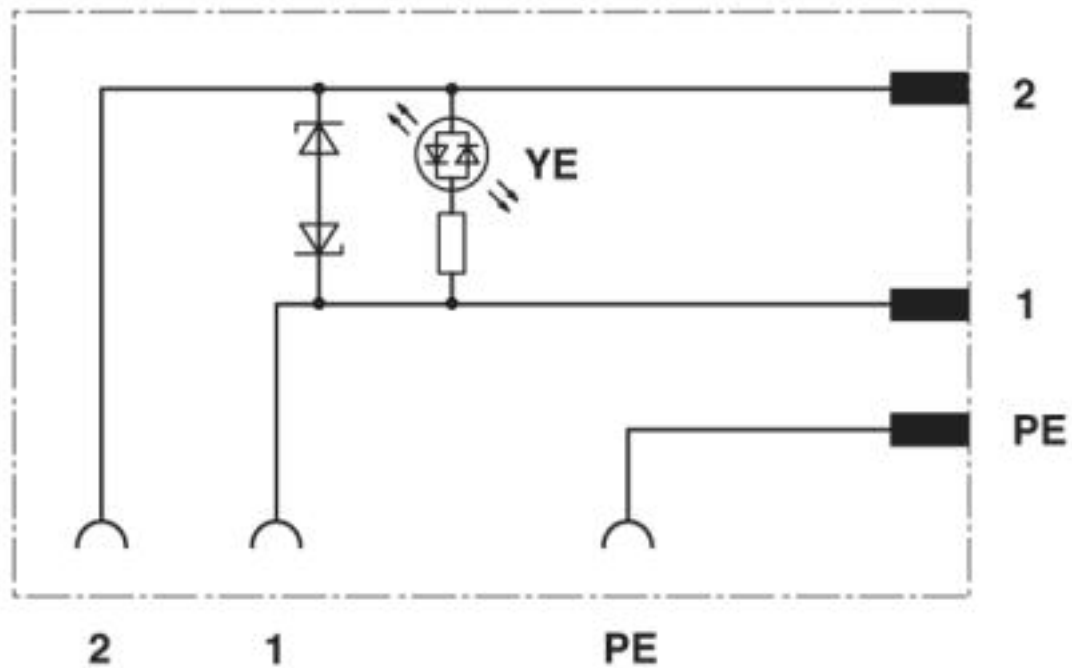
Drawings

Valve connectors - SACC-V-3CON-PG9/BI-1L-S - 1671140

Dimensional drawing



Circuit diagram



Classifications

eCl@ss

| | |
|------------|----------|
| eCl@ss 4.0 | 27140800 |
|------------|----------|

Valve connectors - SACC-V-3CON-PG9/BI-1L-S - 1671140

Classifications

eCl@ss

| | |
|------------|----------|
| eCl@ss 4.1 | 27140800 |
| eCl@ss 5.0 | 27143400 |
| eCl@ss 5.1 | 27143400 |
| eCl@ss 6.0 | 27279200 |
| eCl@ss 7.0 | 27440104 |
| eCl@ss 8.0 | 27440104 |
| eCl@ss 9.0 | 27440105 |

ETIM

| | |
|----------|----------|
| ETIM 2.0 | EC001121 |
| ETIM 3.0 | EC002062 |
| ETIM 4.0 | EC002062 |
| ETIM 5.0 | EC002062 |
| ETIM 6.0 | EC002925 |
| ETIM 7.0 | EC002925 |

UNSPSC

| | |
|---------------|----------|
| UNSPSC 6.01 | 31251501 |
| UNSPSC 7.0901 | 31251501 |
| UNSPSC 11 | 31251501 |
| UNSPSC 12.01 | 31251501 |
| UNSPSC 13.2 | 32151909 |
| UNSPSC 19.0 | 31251501 |
| UNSPSC 20.0 | 31251501 |
| UNSPSC 21.0 | 31251501 |

Approvals

Approvals

Approvals

EAC / EAC

Ex Approvals

Approval details

| | | |
|-----|--|---------------|
| EAC | | EAC-Zulassung |
|-----|--|---------------|

Valve connectors - SACC-V-3CON-PG9/BI-1L-S - 1671140

Approvals

EAC



RU C-
DE.BL08.B.00511