

# Head-mounted transducer - MCR-SL-HT-PT 100-I - 2864516

Please be informed that the data shown in this PDF Document is generated from our Online Catalog. Please find the complete data in the user's documentation. Our General Terms of Use for Downloads are valid (<http://phoenixcontact.com/download>)




Measurement and control temperature transducer, for resistance thermometers, thermocouples, resistance-type sensors, and voltage sensors. For Pt 100 resistance temperature detectors.

## Your advantages

- Freely programmable via MCR/PI-CONF-WIN
- For installation in connecting head, form B
- Two-wire transmitter for Pt 100 resistance thermometers

## Key Commercial Data

Packing unit	1 pc
GTIN	 4 017918 893217
GTIN	4017918893217
Weight per Piece (excluding packing)	81.020 g
Custom tariff number	85437090
Country of origin	Germany
Note	Made to Order (non-returnable)

## Technical data

### Ambient conditions

Ambient temperature (operation)	-40 °C ... 85 °C
Degree of protection	IP00
	IP54 (Installed in the connection head)
Noise immunity	EN 61326-1 (IEC 61326) and NAMUR NE 21

### Input data

Configurable/programmable	Yes, programmable
Sensor types (RTD) that can be used	Pt 100 ; minimum measurement range 10 K
Connection technology	2, 3, 4-wire

# Head-mounted transducer - MCR-SL-HT-PT 100-I - 2864516

## Technical data

### Output data

Output name	Current output
Configurable/programmable	Yes
Current output signal	4 mA ... 20 mA
	20 mA ... 4 mA
Output current with wire break	≤ 3.6 mA or ≥ 21 mA (adjustable)
Output current with short-circuit	≤ 3.6 mA or ≥ 21 mA (adjustable)
Output current range with overrange/underrange	≤ 20.5 mA / ≥ 3.8 mA (linear increase/decrease)
Load/output load current output	max (V <sub>supply</sub> - 10 V) / 0.023 A (current output)

### Power supply

Designation	Loop-powered
Supply voltage range	10 V DC ... 35 V DC
Max. current consumption	< 3.5 mA

### Connection data

Connection method	Screw connection
Stripping length	8 mm
Screw thread	M3
Conductor cross section solid	0.2 mm <sup>2</sup> ... 1.75 mm <sup>2</sup>
Conductor cross section flexible	0.2 mm <sup>2</sup> ... 1.75 mm <sup>2</sup>
Conductor cross section AWG	24 ... 15

### General

Transmission error resistance thermometer	0.2 K
Step response (10-90%)	< 2 s
Switch-on delay	4 s
Noise emission	EN 61326-1 (IEC 61326) and NAMUR NE 21
Noise immunity	EN 61326-1 (IEC 61326) and NAMUR NE 21
Color	green
Housing material	Polycarbonate, PC
Mounting position	any
Assembly instructions	Connection head according to DIN 43729 form B
Configuration	Using MCR-PI-CONF-WIN configuration software package
Conformance	CE-compliant
UL, USA/Canada	Class I, Div. 2, Groups A, B, C, D

### Standards and Regulations

Noise emission	EN 61326-1 (IEC 61326) and NAMUR NE 21
Noise immunity	EN 61326-1 (IEC 61326) and NAMUR NE 21
Connection in acc. with standard	CUL
Conformance	CE-compliant
UL, USA/Canada	Class I, Div. 2, Groups A, B, C, D

# Head-mounted transducer - MCR-SL-HT-PT 100-I - 2864516

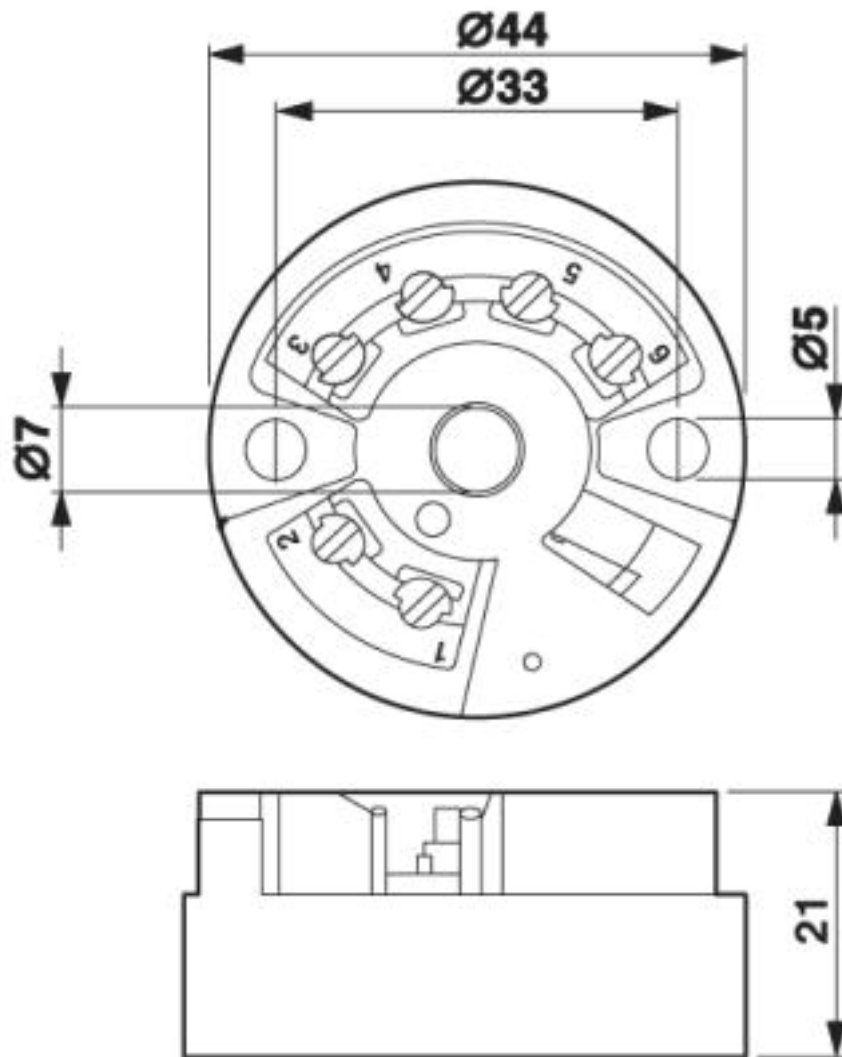
## Technical data

### Environmental Product Compliance

China RoHS	Environmentally friendly use period: unlimited = EFUP-e
	No hazardous substances above threshold values

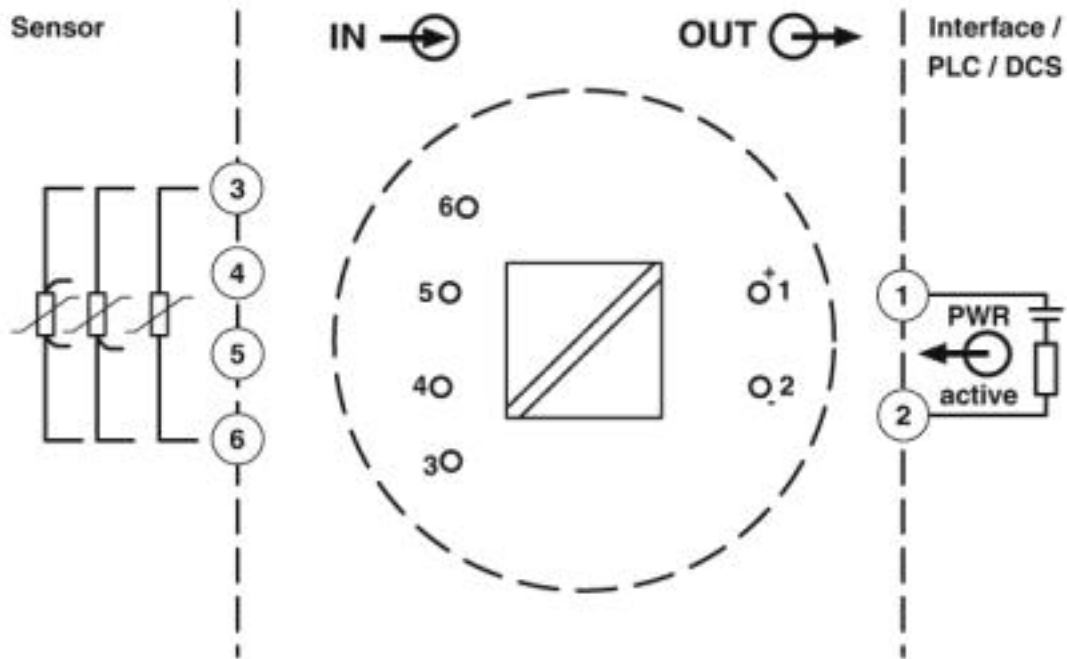
## Drawings

Dimensional drawing



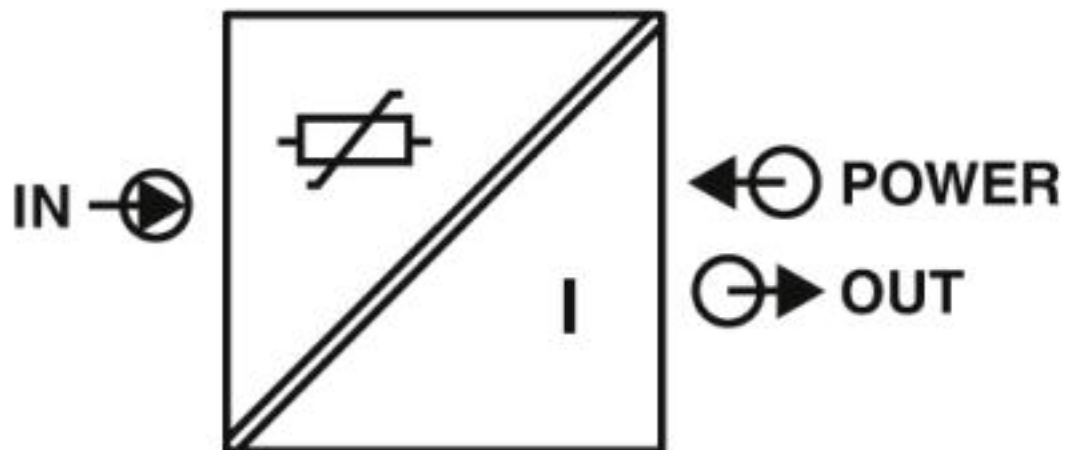
# Head-mounted transducer - MCR-SL-HT-PT 100-I - 2864516

Block diagram



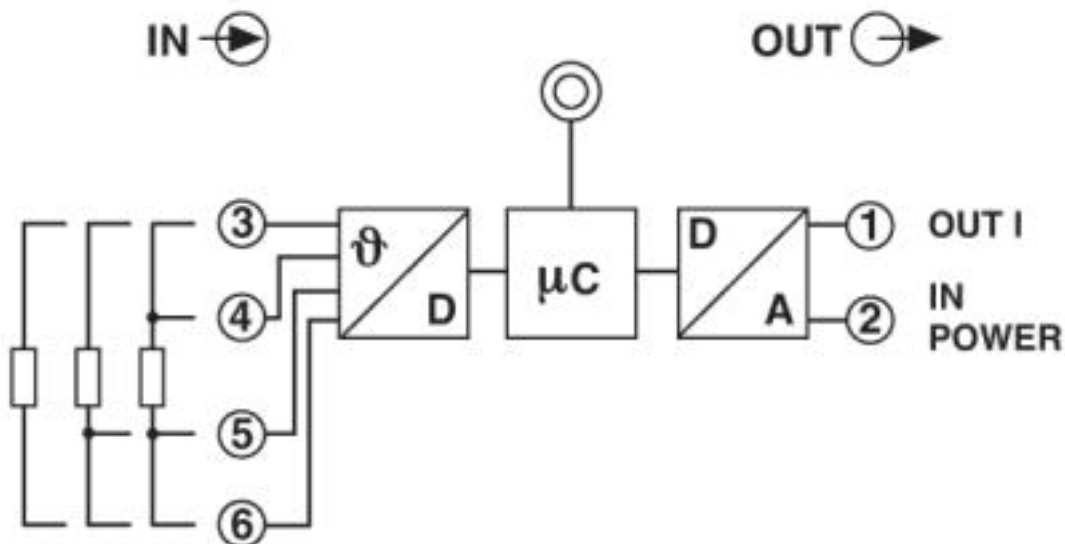
Block diagram MCR-SL-HT-PT 100-I

Pictogram



# Head-mounted transducer - MCR-SL-HT-PT 100-I - 2864516

Circuit diagram



## Classifications

### eCl@ss

eCl@ss 4.0	27200200
eCl@ss 4.1	27200200
eCl@ss 5.0	27200200
eCl@ss 5.1	27200200
eCl@ss 6.0	27200200
eCl@ss 7.0	27200206
eCl@ss 8.0	27200206
eCl@ss 9.0	27210129

### ETIM

ETIM 2.0	EC001446
ETIM 3.0	EC001446
ETIM 4.0	EC001446
ETIM 5.0	EC001446
ETIM 6.0	EC002919
ETIM 7.0	EC002919

### UNSPSC

UNSPSC 6.01	30211506
UNSPSC 7.0901	39121008
UNSPSC 11	39121008
UNSPSC 12.01	39121008
UNSPSC 13.2	41112105
UNSPSC 18.0	41112105

# Head-mounted transducer - MCR-SL-HT-PT 100-I - 2864516

## Classifications

### UNSPSC

UNSPSC 19.0	41112105
UNSPSC 20.0	41112105
UNSPSC 21.0	41112105

## Accessories

### Accessories

#### Mounting rail adapter

Adapter - MCR-DIN-RAIL-ADAPTER HT - 2864671



DIN rail adapter for head-mounted transducers. Suitable for 35 mm DIN rails in accordance with EN 60715.

---

#### Programming adapter

Programming adapter - MCR-PAC-T-USB - 2309000

Programming adapter with USB and T port interface, 2.4 m for programming FA MCR-..., MCR-...-LP-..., and MCR-...-HT-... modules

