

Digital display - MCR-FL-D-U-I-2SP- 24 - 2864215

Please be informed that the data shown in this PDF Document is generated from our Online Catalog. Please find the complete data in the user's documentation. Our General Terms of Use for Downloads are valid (<http://phoenixcontact.com/download>)




MCR digital display, for measurement and display of standard signals, auxiliary power supply 24 V DC

Your advantages

- 96 x 48 mm display
- Electrical isolation
- 5-digit display
- Totalizer
- 2 relay outputs with freely adjustable limit values
- For standard analog signals
- Programmable

Key Commercial Data

Packing unit	1 pc
GTIN	 4 017918 820688
GTIN	4017918820688
Weight per Piece (excluding packing)	301.400 g
Custom tariff number	90303330
Country of origin	Germany
Note	Made to Order (non-returnable)

Technical data

Dimensions

Width	96 mm
Height	48 mm
Depth	93.1 mm

Ambient conditions

Ambient temperature (operation)	-20 °C ... 65 °C
---------------------------------	------------------

Digital display - MCR-FL-D-U-I-2SP- 24 - 2864215

Technical data

Ambient conditions

Ambient temperature (storage/transport)	-40 °C ... 85 °C
---	------------------

Input data

Voltage input signal	0 V ... 10 V
	-10 V ... 10 V
Current input signal	0 mA ... 20 mA
	4 mA ... 20 mA
max. input voltage	± 30 V
Max. input current	50 mA
Input resistance of voltage input	> 1 MΩ
Input resistance current input	< 50 Ω

Switching output

Output name	2 x relay output + digital display
Contact type	2 PDT
Contact material	AgCdO
Maximum switching voltage	300 V DC
	250 V AC
Min. switching current	30 mA DC
Interrupting rating (ohmic load) max.	50 W
	2000 VA
Max. switching current	3 A

Power supply

Supply voltage range	10 V DC ... 30 V DC
Power consumption	max. 2 W

General

Test voltage, input/output/supply	500 V _{rms} / 2.3 kV _{rms} , 50/60 Hz, 1 min.
Color	black
Housing material	Macrolon 2405
Conformance	CE-compliant
UL, USA/Canada	UL 508 Recognized

Standards and Regulations

Connection in acc. with standard	CUL
Conformance	CE-compliant
UL, USA/Canada	UL 508 Recognized

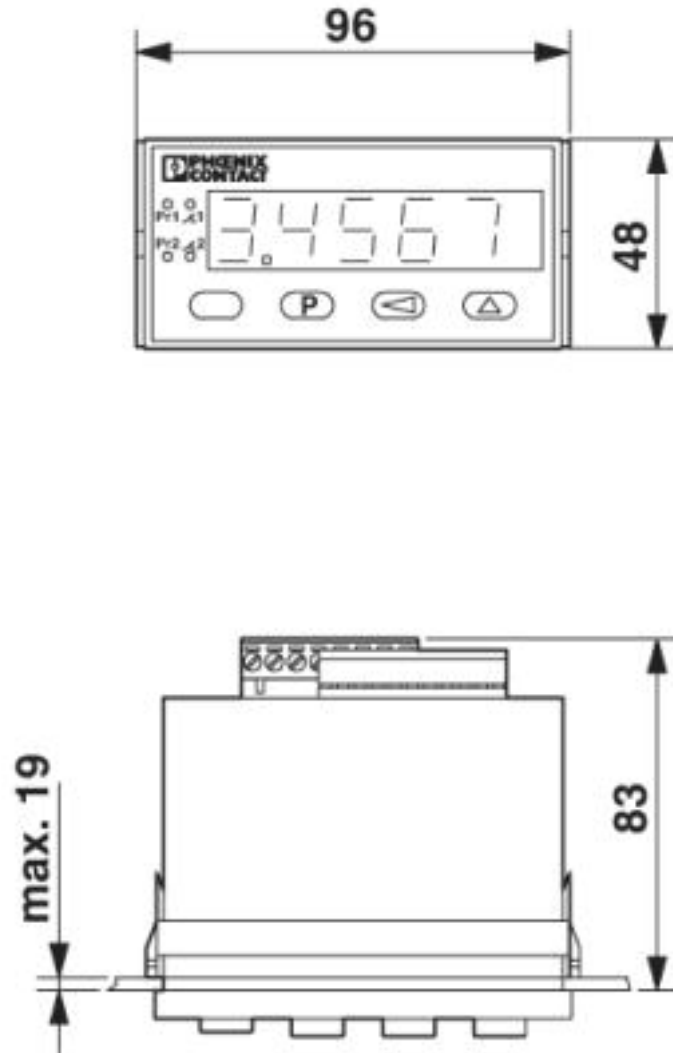
Environmental Product Compliance

China RoHS	Environmentally friendly use period: unlimited = EFUP-e
	No hazardous substances above threshold values

Drawings

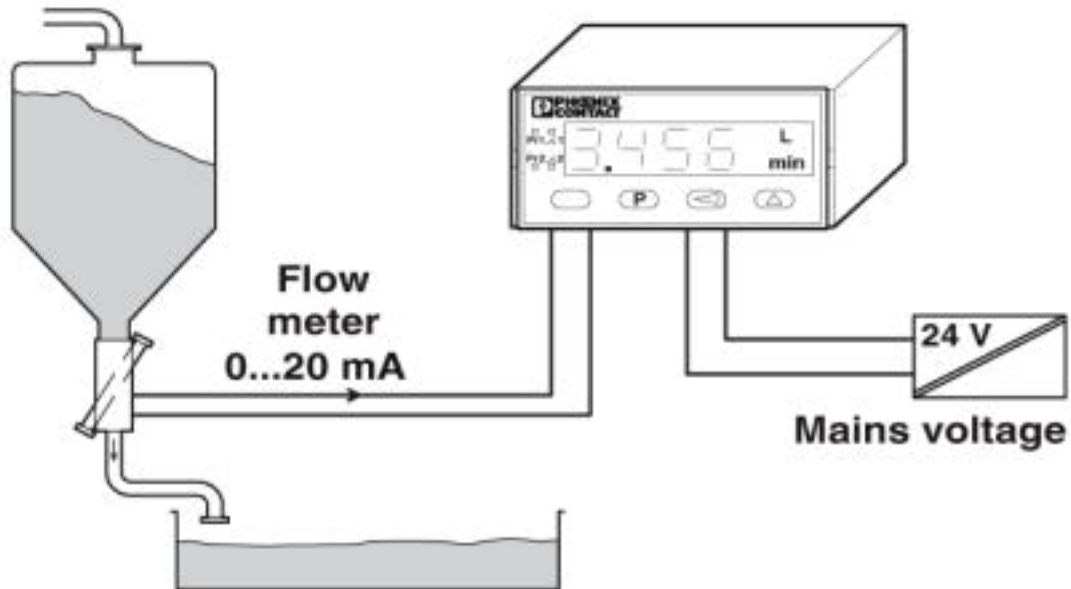
Digital display - MCR-FL-D-U-I-2SP- 24 - 2864215

Dimensional drawing



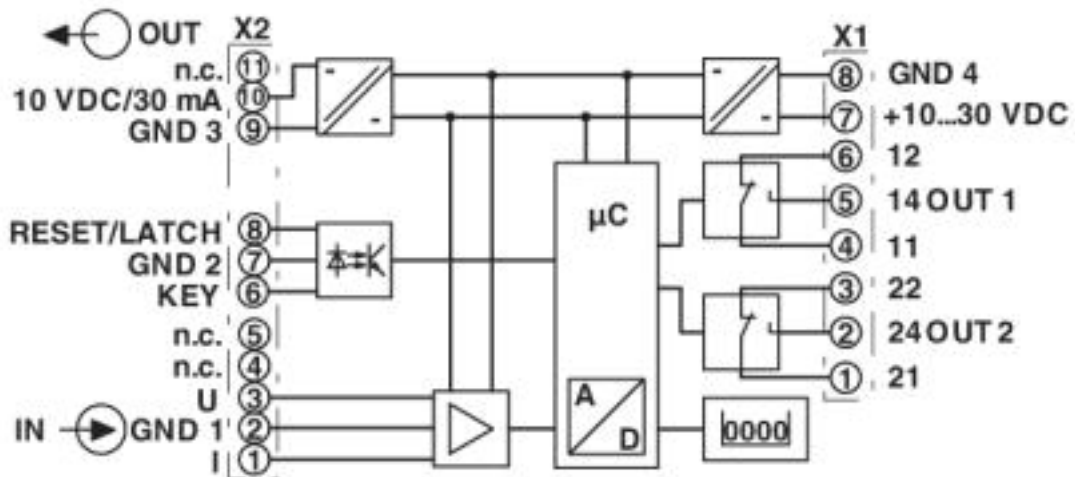
Digital display - MCR-FL-D-U-I-2SP- 24 - 2864215

Application drawing



Flow measurement and display

Circuit diagram



Classifications

eCl@ss

eCl@ss 4.0	27210301
eCl@ss 4.1	27210301
eCl@ss 5.0	27210301
eCl@ss 5.1	27210300
eCl@ss 6.0	27210300
eCl@ss 7.0	27210301

Digital display - MCR-FL-D-U-I-2SP- 24 - 2864215

Classifications

eCl@ss

eCl@ss 8.0	27210301
eCl@ss 9.0	27210301

ETIM

ETIM 2.0	EC001426
ETIM 3.0	EC001426
ETIM 4.0	EC001426
ETIM 5.0	EC001426
ETIM 6.0	EC001426
ETIM 7.0	EC001426

UNSPSC

UNSPSC 6.01	30211506
UNSPSC 7.0901	39121008
UNSPSC 11	39121008
UNSPSC 12.01	39121008
UNSPSC 13.2	39121008

Approvals

Approvals

Approvals

UL Recognized / cUL Recognized / EAC / cULus Recognized

Ex Approvals

Approval details

UL Recognized		http://database.ul.com/cgi-bin/XYV/template/LISEXT/1FRAME/index.htm	FILE E 197577
---------------	---	---	---------------

cUL Recognized		http://database.ul.com/cgi-bin/XYV/template/LISEXT/1FRAME/index.htm	FILE E 197577
----------------	---	---	---------------

EAC		RU C- DE.A*30.B.01082
-----	---	--------------------------

Digital display - MCR-FL-D-U-I-2SP- 24 - 2864215

Approvals

cULus Recognized

