

Junction box - E AB A 85X83X60 6MPT - 3001998

Please be informed that the data shown in this PDF Document is generated from our Online Catalog. Please find the complete data in the user's documentation. Our General Terms of Use for Downloads are valid (<http://phoenixcontact.com/download>)




Junction box, With 6 terminal blocks, 2.5 mm² with push-in technology, material: ABS, gray, 85 mm x 83 mm x 60 mm, type of locking: Screw-on cover

Your advantages

- ✓ Terminal box with cover and pre-assembled terminal strip
- ✓ Fast wiring without the need for additional components

Key Commercial Data

Packing unit	1 pc
GTIN	 4 055626 083827
GTIN	4055626083827
Weight per Piece (excluding packing)	309.200 g
Custom tariff number	85369010
Country of origin	India
Note	Made to Order (non-returnable)

Technical data

General

Color	gray
Flammability rating according to UL 94	UL-94 HB

Dimensions

Width	85 mm
Height	83 mm
Depth	60 mm

General

Housing material	ABS
Cover fastening	Screw-on cover

Junction box - E AB A 85X83X60 6MPT - 3001998

Technical data

General

Note	Phillips-Recess
Fixing device	Screw connection in housing base
Seal material	Silicon
Type of insulation	Full protective insulation
Components	halogen-free

Ambient conditions

Degree of protection of housing (IP)	IP67
Protection class	II
Degree of protection (IK)	2.00 J EN 62262/EN 50102
Temperature in operating conditions	-25 °C ... 60 °C

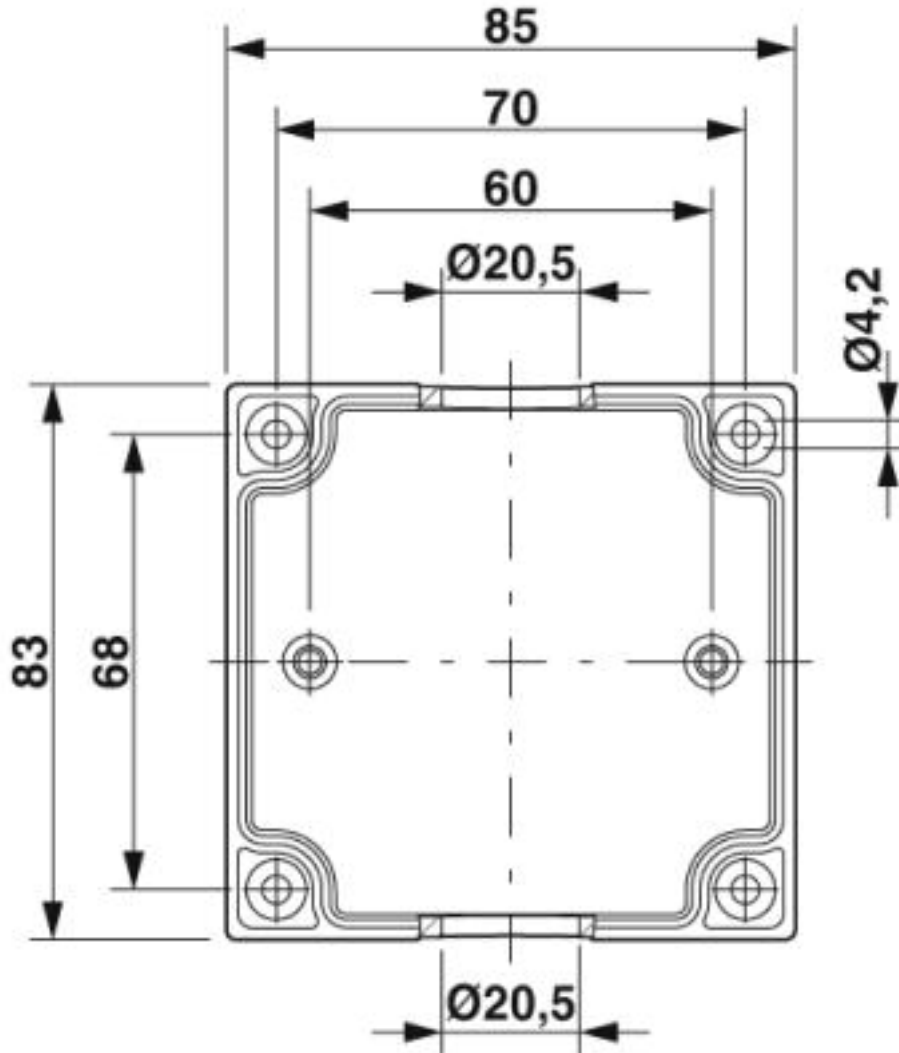
Standards and Regulations

Standards/regulations	EN 62262/EN 50102
Flammability rating according to UL 94	UL-94 HB

Drawings

Junction box - E AB A 85X83X60 6MPT - 3001998

Dimensional drawing



Classifications

eCl@ss

eCl@ss 10.0.1	27180190
eCl@ss 5.0	27180500
eCl@ss 5.1	27180500
eCl@ss 7.0	27144403
eCl@ss 8.0	27144403
eCl@ss 9.0	27180190

ETIM

ETIM 4.0	EC002713
ETIM 5.0	EC000261

Junction box - E AB A 85X83X60 6MPT - 3001998

Classifications

ETIM

ETIM 6.0	EC000261
ETIM 7.0	EC000261

Approvals


Approvals

Approvals

EAC / EAC

Ex Approvals

Approval details

EAC		RU C- DE.A*30.B.01742
-----	---	--------------------------

EAC		RU C- DE.BL08.B.00582
-----	---	--------------------------