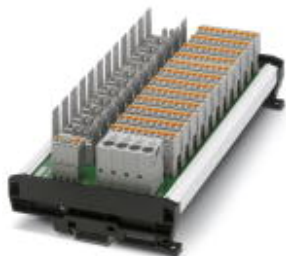


## Potential distributors - CBB TM 12 2X6RC P-PT - 2801483

Please be informed that the data shown in this PDF Document is generated from our Online Catalog. Please find the complete data in the user's documentation. Our General Terms of Use for Downloads are valid (<http://phoenixcontact.com/download>)



Device circuit breaker boards for twelve CB TM1... thermomagnetic circuit breakers with group remote signaling, central supply, and potential distribution for up to five loads per channel.



### Key Commercial Data

Packing unit	1 pc
GTIN	
GTIN	4046356782333
Weight per Piece (excluding packing)	787.800 g
Custom tariff number	85340090
Country of origin	Germany

### Technical data

#### Dimensions

Height	127.8 mm
Width	252.5 mm
Depth	70.8 mm

#### Ambient conditions

Ambient temperature (operation)	-30 °C ... 60 °C (at In 60 A)
Ambient temperature (storage/transport)	-30 °C ... 80 °C
Degree of protection	IP20 (Terminal blocks and fuse holders)
	IP00 (PCB)

#### General

Flammability rating according to UL 94	V0
Mounting type	DIN rail: 35 mm
Number of positions	1
Overvoltage category	II
Degree of pollution	2

# Potential distributors - CBB TM 12 2X6RC P-PT - 2801483

## Technical data

### General

Type	DIN rail module, two-section, divisible
------	---

### Electrical data

Rated voltage main circuit	24 V DC
Rated current main circuit	60 A DC (total)
	12 A DC (per channel)
Rated voltage remote indication circuit	24 V DC
Rated current remote indication circuit	1 A DC
Rated insulation voltage $U_i$	50 V DC
Rated surge voltage	0.5 kV
Short circuit stability	600 A (conditional according to DIN EN 50178)
Power dissipation	4.5 W (with even load on outputs with In)
Insertion/withdrawal cycles	50

### Connection data

Connection name	Supply X21
Connection method	Push-in connection
Stripping length	18 mm
Conductor cross section flexible min.	0.75 mm <sup>2</sup>
Conductor cross section flexible max.	16 mm <sup>2</sup>
Conductor cross section solid min.	0.75 mm <sup>2</sup>
Conductor cross section solid max.	16 mm <sup>2</sup>
Conductor cross section AWG min.	20
Conductor cross section AWG max.	4
Connection name	Outputs X1 ... X12
Connection method	Push-in connection
Stripping length	10 mm
Conductor cross section flexible min.	0.2 mm <sup>2</sup>
Conductor cross section flexible max.	2.5 mm <sup>2</sup>
Conductor cross section solid min.	0.2 mm <sup>2</sup>
Conductor cross section solid max.	2.5 mm <sup>2</sup>
Conductor cross section AWG min.	24
Conductor cross section AWG max.	12
Connection name	Remote signaling X31
Connection method	Push-in connection
Stripping length	10 mm
Conductor cross section flexible min.	0.2 mm <sup>2</sup>
Conductor cross section flexible max.	2.5 mm <sup>2</sup>
Conductor cross section solid min.	0.2 mm <sup>2</sup>
Conductor cross section solid max.	2.5 mm <sup>2</sup>
Conductor cross section AWG min.	24
Conductor cross section AWG max.	12

# Potential distributors - CBB TM 12 2X6RC P-PT - 2801483

## Technical data

### Standards and Regulations

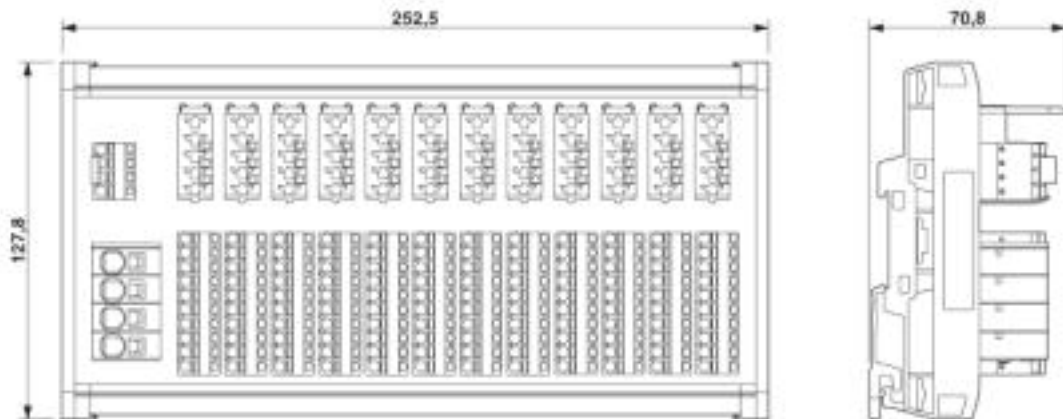
Standards/specifications	DIN EN 50178 1997
--------------------------	-------------------

### Environmental Product Compliance

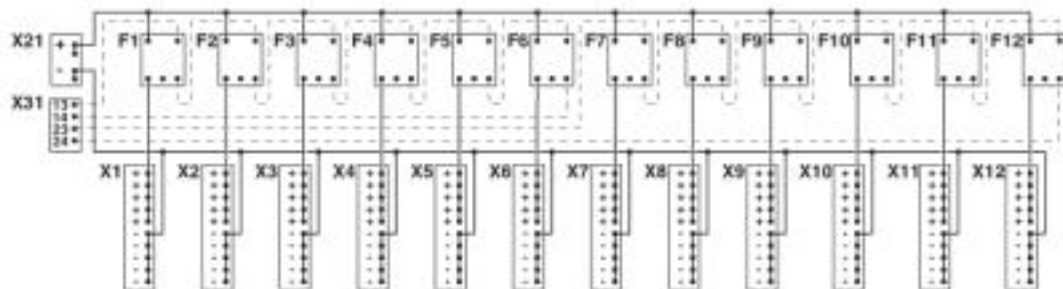
China RoHS	Environmentally Friendly Use Period = 50
	For details about hazardous substances go to tab "Downloads", Category "Manufacturer's declaration"

## Drawings

Dimensional drawing

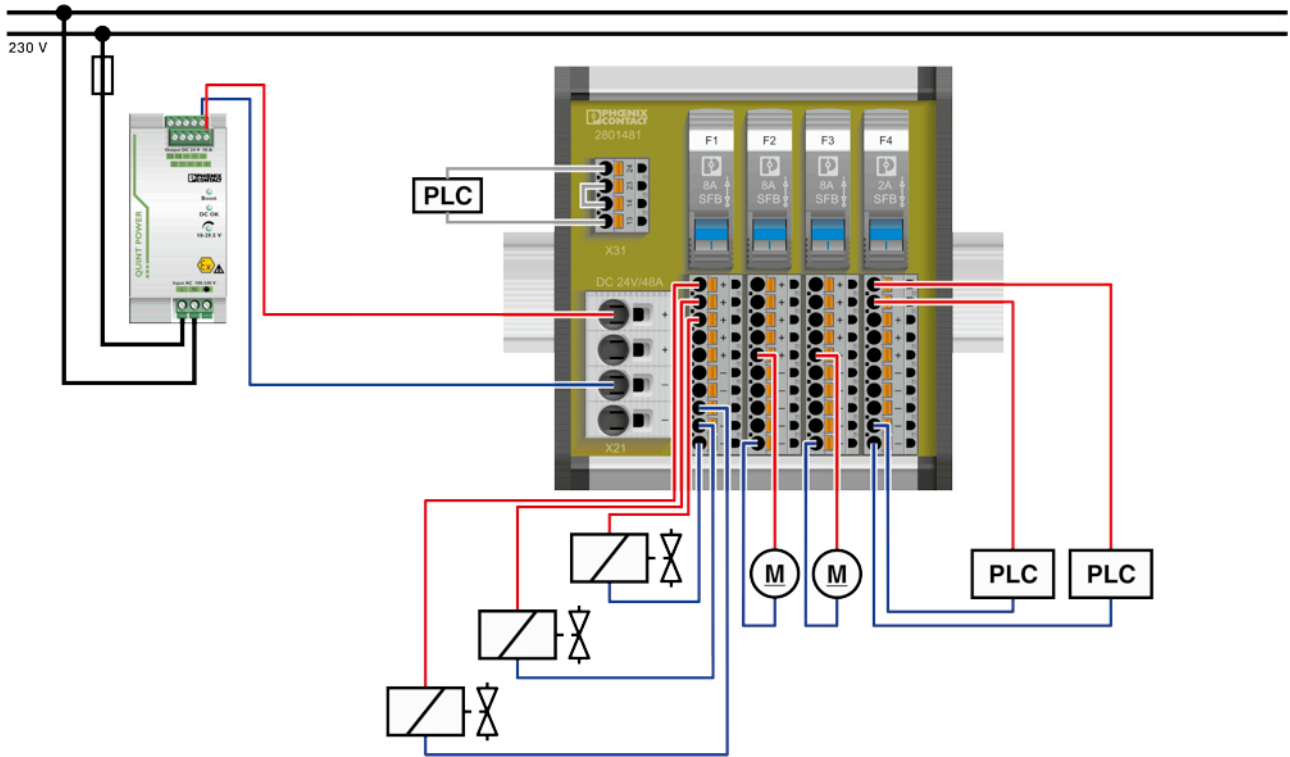


Circuit diagram



# Potential distributors - CBB TM 12 2X6RC P-PT - 2801483

Application drawing



## Potential distributors - CBB TM 12 2X6RC P-PT - 2801483

### Classifications

#### eCl@ss

eCl@ss 10.0.1	27371392
eCl@ss 4.0	27378000
eCl@ss 4.1	27378000
eCl@ss 5.0	27379100
eCl@ss 5.1	27379100
eCl@ss 6.0	27379200
eCl@ss 7.0	27379201
eCl@ss 8.0	27379201
eCl@ss 9.0	27379201

#### ETIM

ETIM 3.0	EC000899
ETIM 4.0	EC002498
ETIM 5.0	EC002498
ETIM 6.0	EC002498
ETIM 7.0	EC002498

#### UNSPSC

UNSPSC 6.01	30211812
UNSPSC 7.0901	39121411
UNSPSC 11	39121411
UNSPSC 12.01	39121411
UNSPSC 13.2	39121421
UNSPSC 18.0	39121421
UNSPSC 19.0	39121421
UNSPSC 20.0	39121421
UNSPSC 21.0	39121421

### Approvals

#### Approvals

---

Approvals

EAC / EAC / EAC

---

Ex Approvals

---

#### Approval details

## Potential distributors - CBB TM 12 2X6RC P-PT - 2801483

### Approvals

EAC		EAC-Zulassung
-----	--	---------------

EAC		RU C- DE.A*30.B01561
-----	--	-------------------------

EAC		RU C- DE.A*30.B01546
-----	--	-------------------------

### Accessories

#### Accessories

#### Coding element

Coding star - PC - 3040588



Coding star, length: 3 mm, width: 3 mm, height: 6 mm, color: red

#### Marker carriers

Module marker carrier - PMB - 1004364



Phoenix module marker carrier, for labeling modules and PCBs, for hole diameter 3.9 to 4.1 mm, thickness of wall or board 1.5 - 2.0 mm, labeling with insert strips ESL, EST or ES/LP-BW-GB, lettering field: 29 x 8 mm

#### Terminal marking

Insert strip - ES/LP-BW-GB - 1003433



Insert strip, Sheet, white, unlabeled, can be labeled with: Office printing systems, CMS-P1-PLOTTER, perforated, mounting type: insert, lettering field size: 29 x 8 mm, Number of individual labels: 150

## Potential distributors - CBB TM 12 2X6RC P-PT - 2801483

### Accessories

Insert strip - ESL 29X8 - 0808257



Insert strip, Sheet, white, unlabeled, can be labeled with: Office printing systems: Laser printer, perforated, mounting type: insert, lettering field size: 29 x 8 mm, Number of individual labels: 174

---

Phoenix Contact 2020 © - all rights reserved  
<http://www.phoenixcontact.com>