

Flange - SACC-MSQ-M12MS-25-3,2 SCO - 1419959


Please be informed that the data shown in this PDF Document is generated from our Online Catalog. Please find the complete data in the user's documentation. Our General Terms of Use for Downloads are valid (<http://phoenixcontact.com/download>)



Flange housing, 25 mm x 25 mm



Key Commercial Data

Packing unit	10 pc
Minimum order quantity	10 pc
GTIN	 4 046356 533607
GTIN	4046356533607
Weight per Piece (excluding packing)	11.000 g
Custom tariff number	85389099
Country of origin	Germany
Note	Made to Order (non-returnable)

Technical data

Ambient conditions

Ambient temperature (operation)	-40 °C ... 85 °C (Plug / socket)
---------------------------------	----------------------------------

General

Rated surge voltage	2.5 kV
Standards/regulations	M12 connector IEC 61076-2-101
Mounting type	Front mounting, square flange 25 mm side length Square flange

Material

Material, knurls	Zinc die-cast, nickel-plated
Sealing material	NBR

Cable

Standards/specifications	M12 connector IEC 61076-2-101
--------------------------	-------------------------------

Standards and Regulations

Flange - SACC-MSQ-M12MS-25-3,2 SCO - 1419959

Technical data

Standards and Regulations

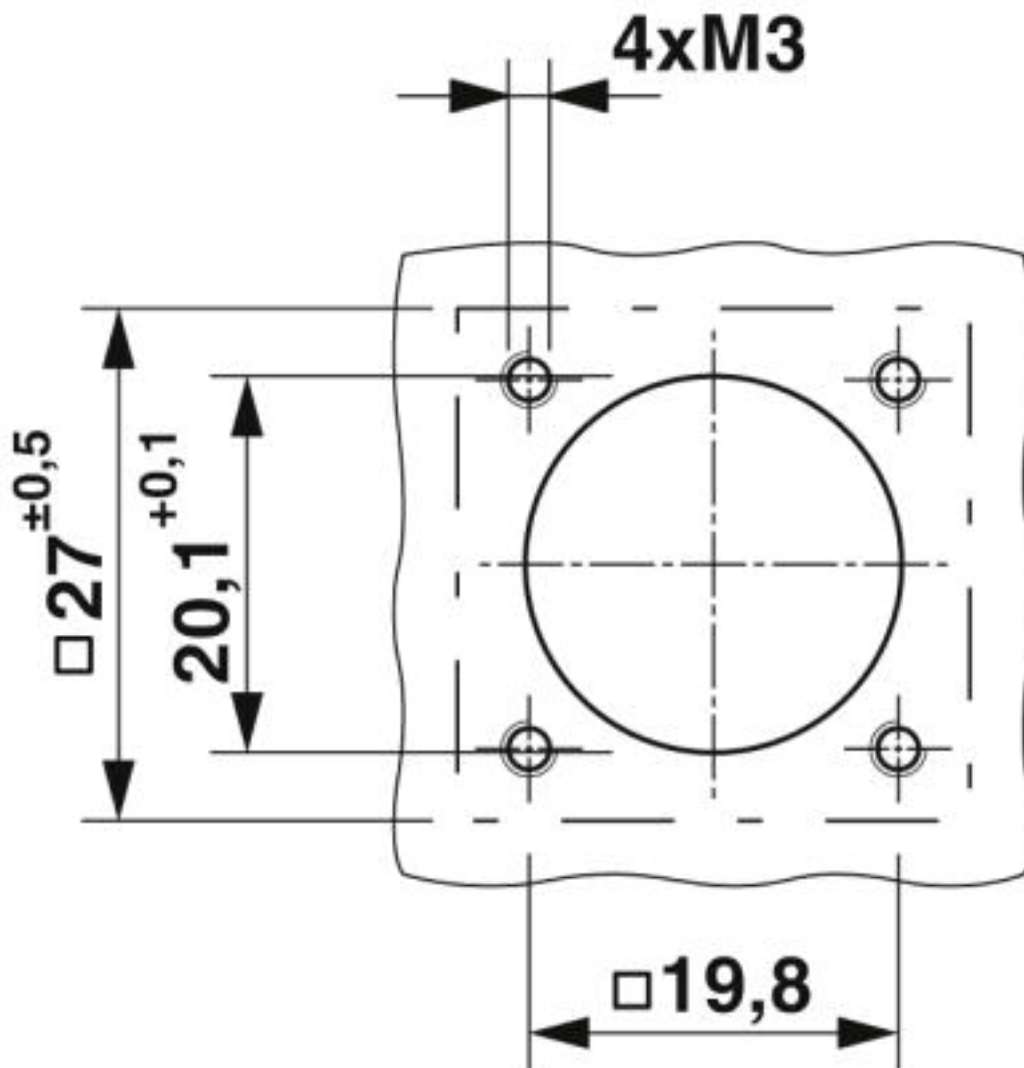
Standards/specifications	M12 connector IEC 61076-2-101
--------------------------	-------------------------------

Environmental Product Compliance

China RoHS	Environmentally friendly use period: unlimited = EFUP-e
	No hazardous substances above threshold values

Drawings

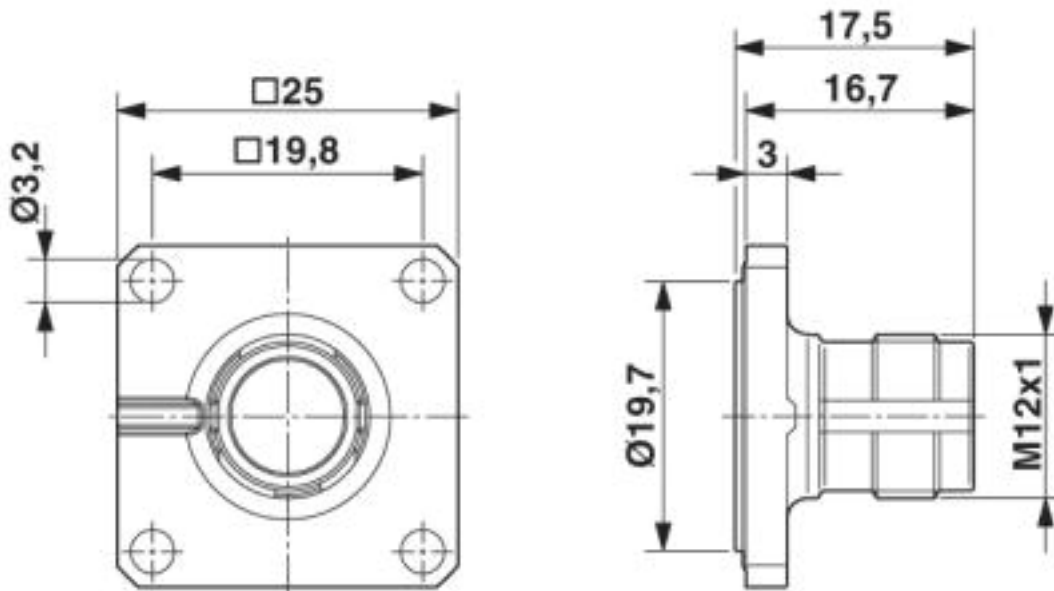
Dimensional drawing



Installation dimensions

Flange - SACC-MSQ-M12MS-25-3,2 SCO - 1419959

Dimensional drawing



M12 flush-type plug, square flange

Classifications

eCl@ss

eCl@ss 10.0.1	27440102
eCl@ss 4.0	27140800
eCl@ss 4.1	27140800
eCl@ss 5.0	27143400
eCl@ss 5.1	27143400
eCl@ss 6.0	27279200
eCl@ss 7.0	27440103
eCl@ss 8.0	27440103
eCl@ss 9.0	27440102

ETIM

ETIM 4.0	EC002608
ETIM 5.0	EC002061
ETIM 6.0	EC002061

UNSPSC

UNSPSC 6.01	31251501
UNSPSC 7.0901	31251501
UNSPSC 11	31251501
UNSPSC 12.01	31251501
UNSPSC 13.2	39121413

Flange - SACC-MSQ-M12MS-25-3,2 SCO - 1419959

Classifications

UNSPSC

UNSPSC 18.0	39121413
UNSPSC 19.0	39121413
UNSPSC 20.0	39121413
UNSPSC 21.0	39121413

Approvals

Approvals

Approvals

EAC

Ex Approvals

Approval details

EAC		B.01742
-----	--	---------

Accessories

Accessories

Circular connectors (device side)

Contact carriers - SACC-MCI-M12MSD-4CON/0,5 - 1440821



Assembled contact carrier and insulating body with 0.5 m litz wires and crimp contacts

Contact carriers - SACC-MCI-M12MS-4CON - 1440931



4-pos. contact carrier, with splice ring, A-coded

Flange - SACC-MSQ-M12MS-25-3,2 SCO - 1419959

Accessories

Contact carriers - SACC-MCI-M12MSD-4CON - 1440944



4-pos. contact carrier, with splice ring, D-coded

Contact carriers - SACC-MCI-M12MS-5CON - 1419988



5-pos. contact carrier, with splice ring, A-coded

Contact carriers - SACC-MCI-M12MSB-5CON - 1440915



5-pos. contact carrier, with splice ring, B-coded

Contact carriers - SACC-MCI-M12MS-8CON - 1440928



8-pos. contact carrier, with splice ring

Contact insert

Contact carriers - SACC-MCI-M12MS-4CON/0,5 - 1440805



Assembled contact carrier and insulating body with 0.5 m litz wires and crimp contacts

Flange - SACC-MSQ-M12MS-25-3,2 SCO - 1419959

Accessories

Contact carriers - SACC-MCI-M12MS-5CON/0,5 - 1440818



Assembled contact carrier and insulating body with 0.5 m litz wires and crimp contacts

Contact carriers - SACC-MCI-M12MSB-5CON/0,5 - 1440759



Assembled contact carrier and insulating body with 0.5 m litz wires and crimp contacts

Contact carriers - SACC-MCI-M12MS-8CON/0,5 - 1457827



Assembled contact carrier and insulating body with 0.5 m litz wires and crimp contacts
