

Foot element - UM108-FE BK - 2909976

Please be informed that the data shown in this PDF Document is generated from our Online Catalog. Please find the complete data in the user's documentation. Our General Terms of Use for Downloads are valid (<http://phoenixcontact.com/download>)


Foot element, 107.5 mm wide, for mounting on NS 32 or NS 35/7.5, below profile housing UM 108.



The figure shows a version of the product



Key Commercial Data

Packing unit	50 pc
Minimum order quantity	50 pc
GTIN	 4 017918 419233
GTIN	4017918419233
Weight per Piece (excluding packing)	7.660 g
Custom tariff number	39269097
Country of origin	Poland

Technical data

Product properties

Brief article description	Foot element
Type	UM108-FE BK
Order No.	2909976
Housing type	Press-drawn section housings

Dimensions

Profile PCB width (selectable):	108 mm [UM108]
---------------------------------	----------------

Material specifications

Housing material	Polyamide
Color (RAL)	black
Flammability rating according to UL 94	V0

Packaging specifications

Foot element - UM108-FE BK - 2909976

Technical data

Packaging specifications

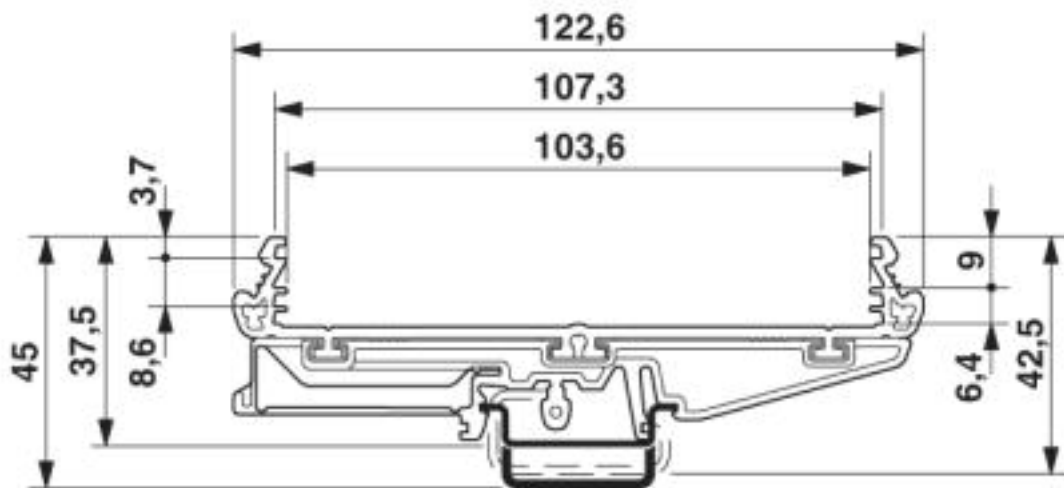
Pieces per package	50
Denomination packing units	Pcs.

Environmental Product Compliance

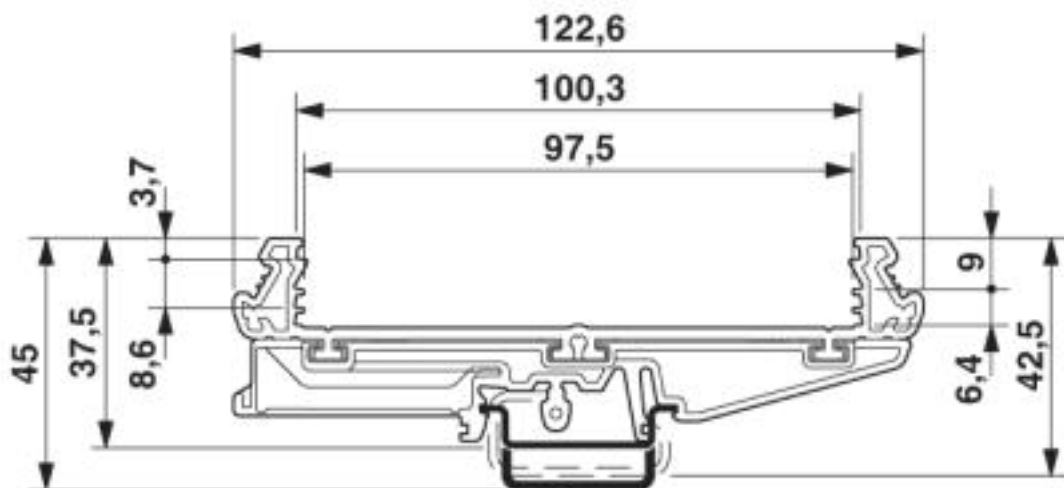
China RoHS	Environmentally friendly use period: unlimited = EFUP-e
	No hazardous substances above threshold values

Drawings

Dimensional drawing



Dimensional drawing



Foot element - UM108-FE BK - 2909976

Classifications

eCl@ss

eCl@ss 10.0.1	27182701
eCl@ss 4.0	27180400
eCl@ss 4.1	27180400
eCl@ss 5.0	27180500
eCl@ss 5.1	27180500
eCl@ss 6.0	27180800
eCl@ss 7.0	27182701
eCl@ss 8.0	27182701
eCl@ss 9.0	27182701

ETIM

ETIM 2.0	EC001031
ETIM 3.0	EC001031
ETIM 4.0	EC001031
ETIM 5.0	EC002779
ETIM 6.0	EC002779
ETIM 7.0	EC002779

UNSPSC

UNSPSC 6.01	31261501
UNSPSC 7.0901	31261501
UNSPSC 11	31261501
UNSPSC 12.01	31261501
UNSPSC 13.2	31261501
UNSPSC 18.0	31261501
UNSPSC 19.0	31261501
UNSPSC 20.0	31261501
UNSPSC 21.0	31261501

Approvals

Approvals

Approvals


UL Recognized / EAC

Ex Approvals

Approval details

Foot element - UM108-FE BK - 2909976

Approvals

UL Recognized		http://database.ul.com/cgi-bin/XYV/template/LISEXT/1FRAME/index.htm	FILE E 240868
---------------	---	---	---------------

EAC			B.01742
-----	---	--	---------