

Pressure screw set - HC-DS-PG29-E - 1676909


Please be informed that the data shown in this PDF Document is generated from our Online Catalog. Please find the complete data in the user's documentation. Our General Terms of Use for Downloads are valid (<http://phoenixcontact.com/download>)



Pg pressure screw set, standard version; for housing with Pg29 support; consisting of pressure screw, notched seal and 2 washers



Key Commercial Data

Packing unit	10 pc
Minimum order quantity	10 pc
GTIN	 4 017918 129521
GTIN	4017918129521
Weight per Piece (excluding packing)	35.120 g
Custom tariff number	85369010
Country of origin	Germany
Note	Made to Order (non-returnable)

Technical data

Dimensions

Wrench size, union nut	37 mm
External cable diameter	18 mm ... 27 mm

Ambient conditions

Degree of protection	IP54
Ambient temperature (operation)	-20 °C ... 80 °C

General

No. of conductors	1
Material, pressure screw	Nickel-plated brass
Cable seal material	Perbunan
Shielded	no

Environmental Product Compliance

Pressure screw set - HC-DS-PG29-E - 1676909

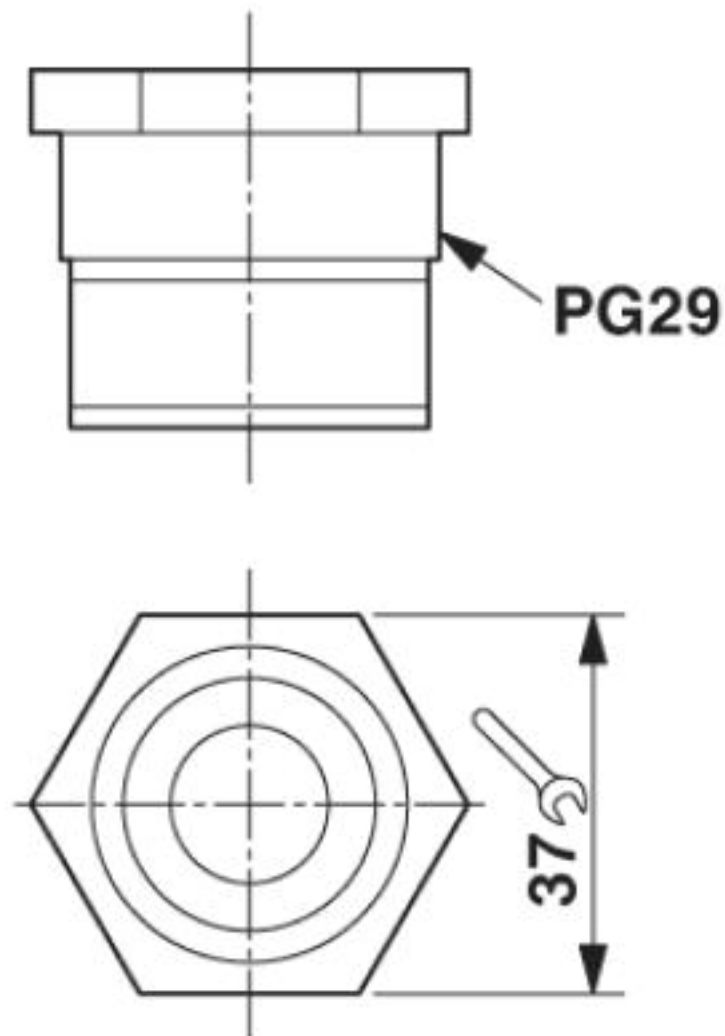
Technical data

Environmental Product Compliance

China RoHS	Environmentally friendly use period: unlimited = EFUP-e
	No hazardous substances above threshold values

Drawings

Dimensional drawing



Dimensional drawing

Classifications

eCl@ss

eCl@ss 4.0	27141209
------------	----------

Pressure screw set - HC-DS-PG29-E - 1676909

Classifications

eCl@ss

eCl@ss 4.1	27141209
eCl@ss 5.0	27149109
eCl@ss 5.1	27149100
eCl@ss 6.0	27149100
eCl@ss 7.0	27069215
eCl@ss 8.0	27069215
eCl@ss 9.0	27144420

ETIM

ETIM 2.0	EC000441
ETIM 3.0	EC000441
ETIM 4.0	EC000441
ETIM 5.0	EC000814
ETIM 6.0	EC000814
ETIM 7.0	EC000814

UNSPSC

UNSPSC 6.01	30211808
UNSPSC 7.0901	39121408
UNSPSC 11	39121408
UNSPSC 12.01	39121408
UNSPSC 13.2	31161514
UNSPSC 19.0	31161514