

Square mounting flange - RF-Z0003 - 1607905

Please be informed that the data shown in this PDF Document is generated from our Online Catalog. Please find the complete data in the user's documentation. Our General Terms of Use for Downloads are valid (<http://phoenixcontact.com/download>)



Square mounting flange, Axial seal, 4xM3, flange dimensions: 35 mm x 35 mm



Key Commercial Data

Packing unit	1 pc
GTIN	 4 046356 272575
GTIN	4046356272575
Weight per Piece (excluding packing)	1.320 g
Custom tariff number	74199990
Country of origin	Germany
Note	Made to Order (non-returnable)

Technical data

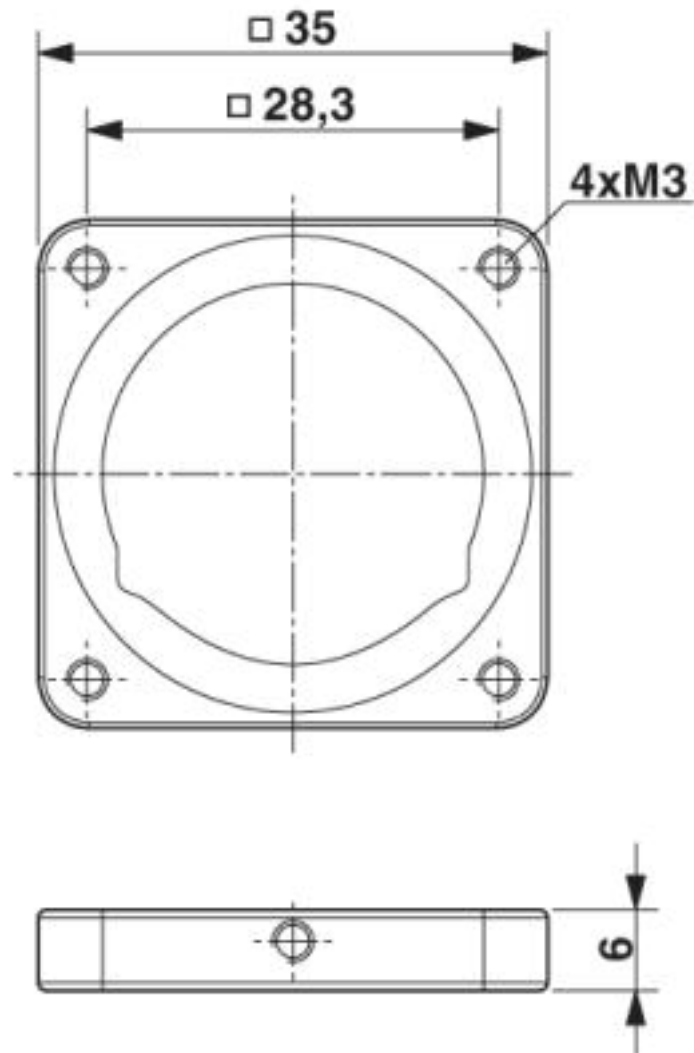
Environmental Product Compliance

	Lead 7439-92-1
China RoHS	Environmentally Friendly Use Period = 50
	For details about hazardous substances go to tab "Downloads", Category "Manufacturer's declaration"

Drawings

Square mounting flange - RF-Z0003 - 1607905

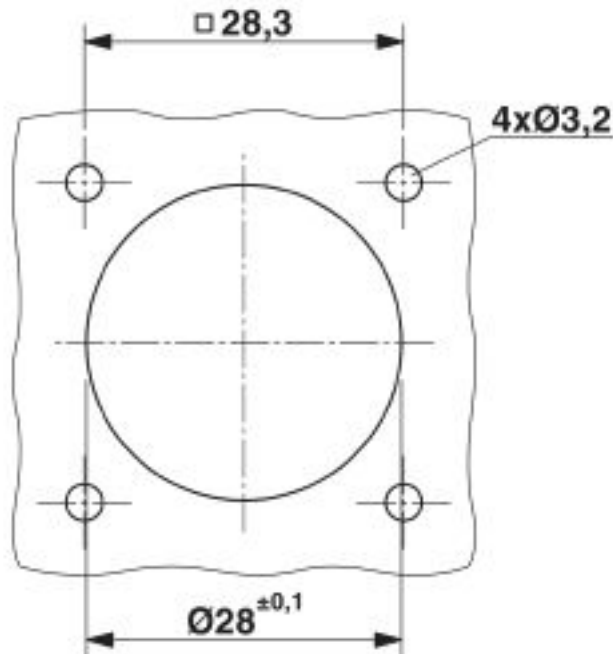
Dimensional drawing



Dimensional drawing

Square mounting flange - RF-Z0003 - 1607905

Dimensional drawing



Classifications

eCl@ss

eCl@ss 4.0	27260700
eCl@ss 4.1	27260700
eCl@ss 5.0	27260700
eCl@ss 5.1	27260700
eCl@ss 6.0	27261200
eCl@ss 7.0	27440210
eCl@ss 8.0	27440210
eCl@ss 9.0	27440210

ETIM

ETIM 3.0	EC001121
ETIM 4.0	EC001121
ETIM 5.0	EC002310
ETIM 6.0	EC002310
ETIM 7.0	EC002310

UNSPSC

UNSPSC 6.01	43172015
UNSPSC 7.0901	43201404
UNSPSC 11	43172015
UNSPSC 12.01	43201404

Square mounting flange - RF-Z0003 - 1607905

Classifications

UNSPSC

UNSPSC 13.2	39121421
UNSPSC 18.0	39121421
UNSPSC 19.0	39121421
UNSPSC 20.0	39121421
UNSPSC 21.0	39121421

Approvals

Approvals

Approvals

EAC

Ex Approvals

Approval details

EAC		B.01742
-----	---	---------
