

## Data interface - SI-SES-U1A/0,6 - 1404514

Please be informed that the data shown in this PDF Document is generated from our Online Catalog. Please find the complete data in the user's documentation. Our General Terms of Use for Downloads are valid (<http://phoenixcontact.com/download>)

Service socket with USB (socket/plug), type A with 0.6 m cable



RoHS

### Key Commercial Data

Packing unit	1 pc
GTIN	 4 046356 698542
GTIN	4046356698542
Weight per Piece (excluding packing)	62.700 g
Custom tariff number	85366990
Country of origin	Czech Republic
Note	Made to Order (non-returnable)

### Technical data

#### Mechanical characteristics

Number of positions	4
Connection profile	USB-A
Shielded	yes
Insertion/withdrawal cycles	≥ 1500
Cable diameter	6.10 mm
Length of cable	0.6 m

#### Ambient conditions

Ambient temperature (operation)	-5 °C ... 70 °C
Degree of protection	IP20 (when plugged in)
	IP65 (with closed protective cover)

#### Material data

Flammability rating according to UL 94	V0
Contact material	Copper alloy

## Data interface - SI-SES-U1A/0,6 - 1404514

### Technical data

#### Material data

Contact surface material	Au
Material	PA (Socket)
	PVC (Plug)
Outer sheath, material	PVC
External sheath, color	black

#### Electrical characteristics

Number of positions	4
Transmission speed	max. 5 Gbps (USB-A:3.0)
Degree of pollution	3
Rated voltage (III/3)	max. 30 V AC/DC (USB-A)

#### Standards and Regulations

Flammability rating according to UL 94	V0
--	----

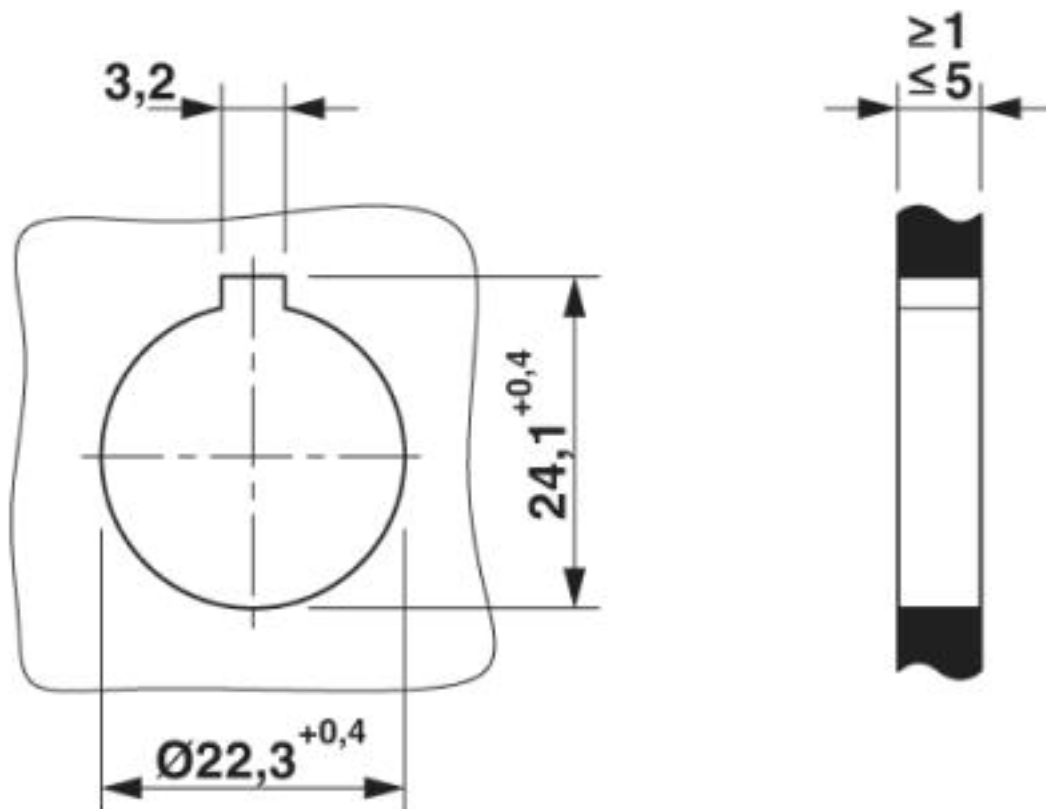
#### Environmental Product Compliance

	Lead 7439-92-1
China RoHS	Environmentally Friendly Use Period = 50
	For details about hazardous substances go to tab "Downloads", Category "Manufacturer's declaration"

### Drawings

# Data interface - SI-SES-U1A/0,6 - 1404514

Dimensional drawing



Mounting cutout

## Classifications

eCl@ss

eCl@ss 10.0.1	27440192
eCl@ss 4.0	27140800
eCl@ss 4.1	27140800
eCl@ss 5.0	27242200
eCl@ss 5.1	27242200
eCl@ss 6.0	27249200
eCl@ss 7.0	27249205
eCl@ss 8.0	19179290
eCl@ss 9.0	27440192

ETIM

ETIM 3.0	EC000007
ETIM 4.0	EC001855
ETIM 5.0	EC000237
ETIM 6.0	EC000310

# Data interface - SI-SES-U1A/0,6 - 1404514

## Classifications

### ETIM

ETIM 7.0	EC000310
----------	----------

### UNSPSC

UNSPSC 6.01	31261501
UNSPSC 7.0901	31261501
UNSPSC 11	31261501
UNSPSC 12.01	31261501
UNSPSC 13.2	26121620
UNSPSC 18.0	39121421
UNSPSC 19.0	39121421
UNSPSC 20.0	39121421
UNSPSC 21.0	39121421

## Approvals

### Approvals

---

Approvals


EAC / EAC

---

Ex Approvals

---

### Approval details

EAC		EAC-Zulassung
-----	---	---------------

EAC		RU C- DE.A*30.B.01102
-----	---	--------------------------