

## Data interface - SI-SES-U1A/1 - 1404515

Please be informed that the data shown in this PDF Document is generated from our Online Catalog. Please find the complete data in the user's documentation. Our General Terms of Use for Downloads are valid (<http://phoenixcontact.com/download>)

Service socket with USB (socket/plug), type A with 1.0 m cable



RoHS

### Key Commercial Data

Packing unit	1 pc
GTIN	 4 046356 698559
GTIN	4046356698559
Weight per Piece (excluding packing)	53.200 g
Custom tariff number	85444290
Country of origin	Czech Republic
Note	Made to Order (non-returnable)

### Technical data

#### Mechanical characteristics

Connection profile	USB-A
Shielded	yes
Insertion/withdrawal cycles	≥ 1500
Cable diameter	6.10 mm
Length of cable	1 m

#### Ambient conditions

Ambient temperature (operation)	-5 °C ... 70 °C
Degree of protection	IP20 (when plugged in)
	IP65 (with closed protective cover)

#### Material data

Contact material	Copper alloy
Contact surface material	Au
Material	PA (Socket)

## Data interface - SI-SES-U1A/1 - 1404515

### Technical data

#### Material data

	PVC (Plug)
Outer sheath, material	PVC
External sheath, color	black

#### Electrical characteristics

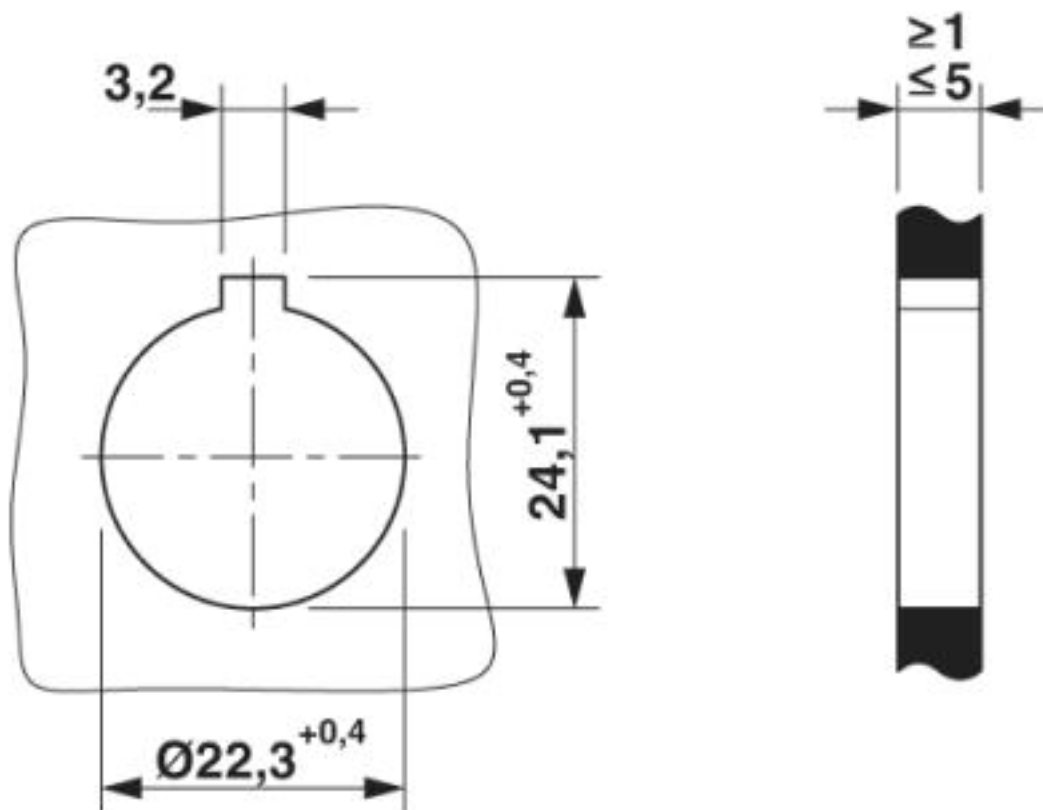
Transmission speed	max. 5 Gbps (USB-A:3.0)
Degree of pollution	3
Rated voltage (III/3)	max. 30 V AC/DC (USB-A)

#### Environmental Product Compliance

	Lead 7439-92-1
China RoHS	Environmentally Friendly Use Period = 50
	For details about hazardous substances go to tab "Downloads", Category "Manufacturer's declaration"

### Drawings

Dimensional drawing



#### Mounting cutout

## Data interface - SI-SES-U1A/1 - 1404515

### Classifications

#### eCl@ss

eCl@ss 10.0.1	27440192
eCl@ss 4.0	27140800
eCl@ss 4.1	27140800
eCl@ss 5.0	27242200
eCl@ss 5.1	27242200
eCl@ss 6.0	27249200
eCl@ss 7.0	27249205
eCl@ss 8.0	19179290
eCl@ss 9.0	27440192

#### ETIM

ETIM 3.0	EC000007
ETIM 4.0	EC001855
ETIM 5.0	EC000237
ETIM 6.0	EC000310
ETIM 7.0	EC000310

#### UNSPSC

UNSPSC 6.01	31261501
UNSPSC 7.0901	31261501
UNSPSC 11	31261501
UNSPSC 12.01	31261501
UNSPSC 13.2	26121620
UNSPSC 18.0	39121421
UNSPSC 19.0	39121421
UNSPSC 20.0	39121421
UNSPSC 21.0	39121421

### Approvals

#### Approvals

---

Approvals

EAC / EAC

---

Ex Approvals

---

#### Approval details

## Data interface - SI-SES-U1A/1 - 1404515

### Approvals

EAC		EAC-Zulassung
-----	---	---------------

EAC		RU C- DE.A*30.B.01102
-----	---	--------------------------