

Terminal outlet - VS-TO-RO-MCBK-F1418/1418 - 1404278

Please be informed that the data shown in this PDF Document is generated from our Online Catalog. Please find the complete data in the user's documentation. Our General Terms of Use for Downloads are valid (<http://phoenixcontact.com/download>)



Terminal outlet RJ45 IP65/67, 2 slots version 6, with protective plugs, 2 cable entries

Illustration similar to terminal outlet
2 x RJ45

Your advantages

- ✓ Robust design
- ✓ Including covers to protect against environmental influences
- ✓ Integrated cable management system
- ✓ For the connection of 2x RJ45 IP65/67 connectors



Key Commercial Data

Packing unit	1 pc
GTIN	 4 046356 305372
GTIN	4046356305372
Weight per Piece (excluding packing)	708.200 g
Custom tariff number	85369095
Country of origin	Germany
Note	Made to Order (non-returnable)

Technical data

Mechanical characteristics

Connection method	IDC connection
Number of slots	2
Minimum external conductor diameter	4.5 mm
Maximum external conductor diameter	10 mm
Weight	708.2 g

Ambient conditions

Ambient temperature (operation)	-40 °C ... 70 °C
---------------------------------	------------------

Terminal outlet - VS-TO-RO-MCBK-F1418/1418 - 1404278

Technical data

Material data

Housing material	Aluminum cast alloy, powder-coated
------------------	------------------------------------

Electrical characteristics

Transmission characteristics (category)	CAT6
GRP transmission properties	CAT6 CAT6
Rated voltage (III/3)	72 V (DC)

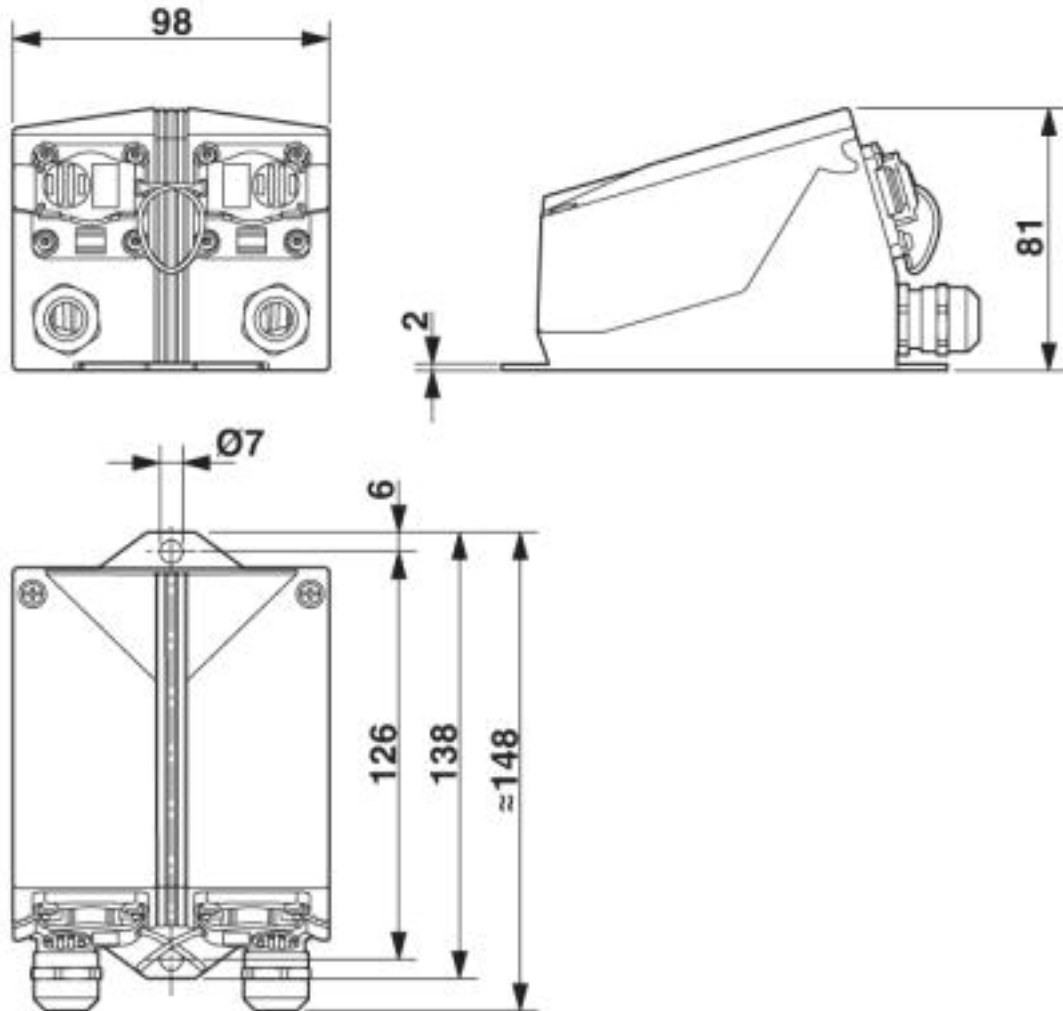
Environmental Product Compliance

China RoHS	Environmentally Friendly Use Period = 50
	For details about hazardous substances go to tab "Downloads", Category "Manufacturer's declaration"

Drawings

Terminal outlet - VS-TO-RO-MCBK-F1418/1418 - 1404278

Dimensional drawing



Terminal outlet 2 x RJ45

Classifications

eCl@ss

eCl@ss 4.0	27260700
eCl@ss 4.1	27260700
eCl@ss 5.0	27260700
eCl@ss 5.1	27260700
eCl@ss 6.0	27260700
eCl@ss 7.0	27440312
eCl@ss 8.0	27440312
eCl@ss 9.0	27440312

Terminal outlet - VS-TO-RO-MCBK-F1418/1418 - 1404278

Classifications

ETIM

ETIM 3.0	EC001121
ETIM 4.0	EC002598
ETIM 5.0	EC001121
ETIM 6.0	EC002641
ETIM 7.0	EC002641

UNSPSC

UNSPSC 6.01	31261501
UNSPSC 7.0901	31261501
UNSPSC 11	31261501
UNSPSC 12.01	31261501
UNSPSC 13.2	39121419
UNSPSC 18.0	39121419
UNSPSC 19.0	39121419
UNSPSC 20.0	39121419
UNSPSC 21.0	39121419

Approvals

Approvals

Approvals

EAC

Ex Approvals

Approval details

EAC		B.01687
-----	--	---------

Accessories

Accessories

Crimping tool

Terminal outlet - VS-TO-RO-MCBK-F1418/1418 - 1404278

Accessories

Crimping pliers - VS-CT-RJ45-H - 1653265



Crimp tool, pliers with die, for RJ45 pin inserts VS-08-ST-H...-RJ45 and VS-08-RJ45-10G/C

Data plug

RJ45 connector - VS-08-RJ45-5-Q/IP67-BK - 1658493



RJ45 connector, degree of protection: IP67, number of positions: 8, CAT5 (IEC 11801:2002), material: PA, connection method: IDC fast connection, connection cross section: AWG 26- 23, cable outlet: straight, color: jet black RAL 9005

RJ45 connector - VS-08-RJ45-5-Q/IP67 - 1656990



RJ45 connector, degree of protection: IP67, number of positions: 8, CAT5 (IEC 11801:2002), material: PA, connection method: IDC fast connection, connection cross section: AWG 26- 23, cable outlet: straight, color: traffic grey A RAL 7042

Male insert

RJ45 male insert - VS-08-ST-RJ45 - 1688573



RJ45 pin insert, CAT5e, 8-pos., shielded, IDC connection method, for litz wires AWG 26 and solid wires AWG 26 ... 24

RJ45 male insert - VS-08-ST-H21-RJ45 - 1652729



RJ45 male insert, CAT6, 8-pos., shielded, IDC displacement connection, for litz wire AWG 25 ... 24 and solid wires AWG 24, with strain relief

Terminal outlet - VS-TO-RO-MCBK-F1418/1418 - 1404278

Accessories

Stripping tool - VS-CABLE-STRIP-VARIO - 1657407



Stripping tool, for the multi-level stripping of shielded cables

Phoenix Contact 2020 © - all rights reserved
<http://www.phoenixcontact.com>