

Splice box - FOC-FDX20-PP-STD6-OSP-PT9 - 1019682

Please be informed that the data shown in this PDF Document is generated from our Online Catalog. Please find the complete data in the user's documentation. Our General Terms of Use for Downloads are valid (<http://phoenixcontact.com/download>)



DIN rail splice box, fully mounted ready to splice, for 6x ST duplex (OS2)

DIN rail splice box, 6x ST duplex, including pigtails and splice holder

Product Description

DIN rail splice box of the FDX 20 series, equipped with 6x ST duplex couplings, fully assembled and ready for splicing, with pre-assembled 900 µm pigtails (OS2) and splice holder (for separately sold shrink und crimp splice protection) on a patented splice comb made from powder-coated sheet steel. Cable insertion via cable gland either at top or bottom. Housing (2-part) prepared for DIN rail mounting through rear-side adapter (this can also be mounted on the side).

Scope of supply:


DIN rail housing with integrated splice comb (mounted), equipped with 6x ST duplex couplings, 12x pigtail (OS2), 1x splice holder, 1x cable gland (M20x1.5)

Your advantages

- ✓ Intuitive front panel operation and clear control cabinet layout thanks to uniform design
- ✓ Flexible DIN rail mounting possible in three positioning directions
- ✓ Perfectly sized and patented pigtail tray, for convenient splicing and compact bending radii.
- ✓ 6 duplex front connections and compact dimensions, for more space in the control cabinet
- ✓ Suitable for industrial applications
- ✓ Reduced installation time, thanks to pre-assembled, ready-to-splice design
- ✓ Continuously reliable data connection, thanks to extensively tested components
- ✓ 3-stage strain relief
- ✓ easy to install
- ✓ including cable gland
- ✓ Small bunched wire tube is guided directly on the splice holder



Key Commercial Data

Packing unit	1 pc
GTIN	 4 055626 701158
GTIN	4055626701158
Weight per Piece (excluding packing)	820.000 g

Splice box - FOC-FDX20-PP-STD6-OSP-PT9 - 1019682

Custom tariff number	85367000
Country of origin	Germany
Note	Made to Order (non-returnable)

Technical data

Mechanical characteristics

Connection method	Cable gland M20
Number of slots	12
Minimum external conductor diameter	6 mm
Maximum external conductor diameter	12 mm
Cable outlet	above and below
No. of cable outlets	2
Weight	820 g

Ambient conditions

Ambient temperature (operation)	-40 °C ... 85 °C
Ambient temperature (assembly)	0 °C ... 50 °C
Ambient temperature (storage/transport)	-40 °C ... 85 °C
Degree of protection	IP20 (according to IEC 60529)

Material data

Housing material	Sheet steel
Housing surface material	Powder-coated, gray
Height	130 mm
Depth	115 mm
Mounting type	DIN rail mounting
Assembly instructions	Option for flexible replugging of DIN rail adapter

Line characteristics

Type of cable	For all common cable types
Cable type	Single-mode fiberglass
Cable structure	Semi-loose compact wires (STB)
Wire colors	Color coded
Transmission medium	FO
Number of fibers	12
Fiber type	Single-mode fiberglass, resistant to bending G.657 A2
Fiber	GOF
Attenuation	≤ 0.3 dB (at 1310 nm / 1550 nm)

Standards and Regulations

Flame resistance	yes
Resistance to UV radiation	yes
Halogen-free	yes
Flammability rating according to UL 94	V0
Assignment plan	yes International

Splice box - FOC-FDX20-PP-STD6-OSP-PT9 - 1019682

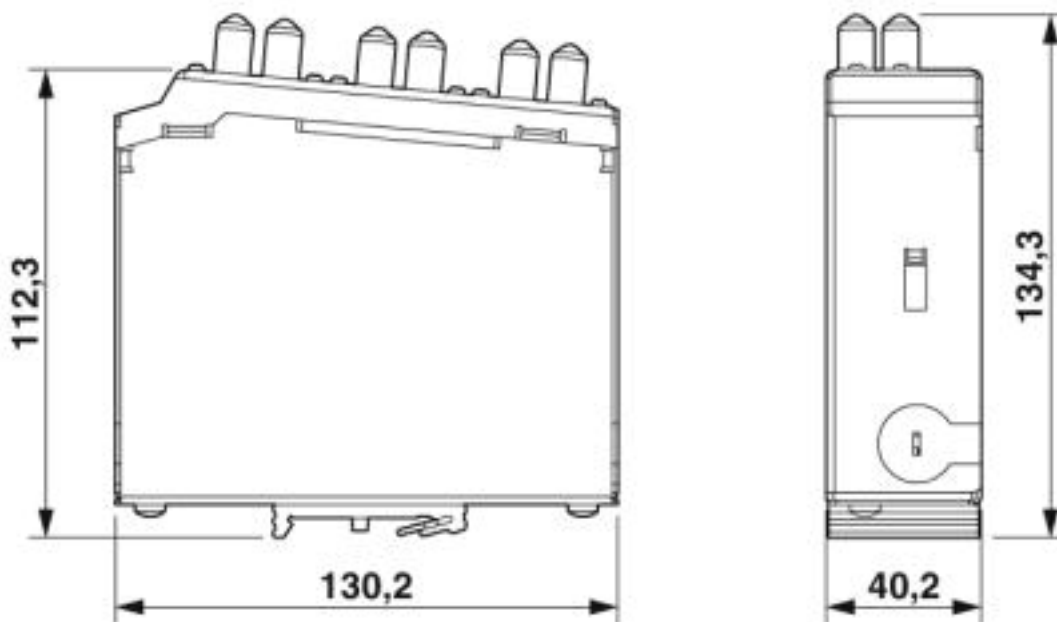
Technical data

Environmental Product Compliance

China RoHS	Environmentally friendly use period: unlimited = EFUP-e
	No hazardous substances above threshold values

Drawings

Dimensional drawing



DIN rail splice box 6x ST duplex OS2, fully mounted ready to splice

Classifications

eCl@ss

eCl@ss 10.0.1	19069290
eCl@ss 6.0	19069200
eCl@ss 7.0	19069290
eCl@ss 8.0	19069290
eCl@ss 9.0	19069290

ETIM

ETIM 5.0	EC002610
ETIM 6.0	EC002610
ETIM 7.0	EC002610

Approvals

Approvals

Splice box - FOC-FDX20-PP-STD6-OSP-PT9 - 1019682

Approvals

Approvals

EAC

Ex Approvals

Approval details

EAC		B.01687
-----	--	---------

Accessories

Necessary add-on products

Shrink splice protection - FOC-SHRINKSPLICE-PROTECT - 1019676



Shrink splice protection, type: Straight, degree of protection: IP20, cable outlet: above and below, color: transparent

Crimp splice protection - FOC-CRIMPSPLICE-PROTECT - 1019678



Crimp splice protection, type: Straight, degree of protection: IP20, connection method: Crimp, cable outlet: above and below, color: Bare metallic

Additional products

FO accessories - FOC-TOOL-FERRULECLEANER-2.50 - 1407029



2.50 mm ferrule cleaner, for ST, SC, FC, E2000 (also APC), approx. 500 cleaning cycles

Splice box - FOC-FDX20-PP-STD6-OSP-PT9 - 1019682

Accessories

FO accessories - FOC-TOOL-STICKCLEANER-2.50 - 1407002



Stick cleaner for couplings and plug end faces, 2.50 mm (ST, SC), Pcs. / Pkt.: 10

Screw plug - A-INSP-M20-68N-P-LG - 1424519



Screw plug, material: PA, connecting thread: M20 x 1.5, color: lightgrey RAL 7035, with O-ring

Nut - WP-CN PA M20 - 3241134



Nut, height: 6 mm, color: gray

Philips screwdriver - SF-PH 1-80 - 1212559



Screwdriver, PH crosshead (lasered), uninsulated, size: PH 1 x 80, 2-component grip, with non-slip grip

Screwdriver - SF-SL 1,0X5,5-150 - 1212552



Screwdriver, bladed (lasered), size: 1.0 x 5.5 x 150 mm, 2-component grip, with non-slip grip

Splice box - FOC-FDX20-PP-STD6-OSP-PT9 - 1019682

Accessories

End clamp - E/NS 35 N - 0800886



End clamp, width: 9.5 mm, color: gray

DIN rail adapter - NBC-PP-G1PGY - 1041740



DIN rail adapter, type: Headers with shielding, degree of protection: IP20, material: PC-GF10, without assembled modules

DIN rail adapter - FL DIN RA - 2891053



The FL DIN RA is installed in a standard, 19-inch rack (EIA-310-D, IEC 60297-3-100) to allow DIN rail mounted equipment to be rack mounted.

DIN rail adapter - NBC-PP-G1PGY - 1041740



DIN rail adapter, type: Headers with shielding, degree of protection: IP20, material: PC-GF10, without assembled modules

Cable gland - G-INS-M20-S68N-PNES-GY - 1411125



Cable gland, cable gland material: PA, external cable diameter 6 mm ... 12 mm, shielding: no, connecting thread: M20 x 1.5, color: silver-gray RAL 7001

Splice box - FOC-FDX20-PP-STD6-OSP-PT9 - 1019682

Accessories

Marking foil for zack marker strip - TML (104X10)R - 0801835



Marking foil for zack marker strip, Roll, white, unlabeled, can be labeled with: THERMOMARK ROLL 2.0, THERMOMARK ROLL, THERMOMARK ROLL X1, THERMOMARK ROLLMASTER 300/600, THERMOMARK X1.2, mounting type: adhesive, for terminal block width: 104 mm, lettering field size: 104 x 10 mm, Number of individual labels: 1500

Marking foil for zack marker strip - TML (EX9,5)R TR - 0816634



Marking foil for zack marker strip, Roll, transparent, unlabeled, can be labeled with: THERMOMARK ROLL 2.0, THERMOMARK ROLL, THERMOMARK ROLL X1, THERMOMARK ROLLMASTER 300/600, THERMOMARK X1.2, mounting type: adhesive, for terminal block width: 30000 mm, lettering field size: 40000 x 9.5 mm, Number of individual labels: 4000

Safety label with special adhesive - EMLS (70X32)R SR - 0800346



Safety label with special adhesive, Roll, silver, unlabeled, can be labeled with: THERMOMARK ROLLMASTER 300/600, THERMOMARK X1.2, THERMOMARK ROLL X1, THERMOMARK ROLL 2.0, THERMOMARK ROLL, mounting type: adhesive, lettering field size: 70 x 32 mm, Number of individual labels: 500

Label for rough surfaces - EML-HA (76X51)R - 0830609



Label for rough surfaces, Roll, white, unlabeled, can be labeled with: THERMOMARK ROLLMASTER 300/600, THERMOMARK X1.2, THERMOMARK ROLL X1, THERMOMARK ROLL 2.0, THERMOMARK ROLL, mounting type: adhesive, lettering field size: 76 x 51 mm, Number of individual labels: 1000

Warning label - PML-W100 (25X25)R - 0830429



Warning label, Roll, yellow/black, unlabeled, can be labeled with: THERMOMARK ROLLMASTER 300/600, THERMOMARK X1.2, THERMOMARK ROLL X1, THERMOMARK ROLL 2.0, THERMOMARK ROLL, mounting type: adhesive, diameter: 0 mm, lettering field size: 25 x 25 mm, Number of individual labels: 500

Splice box - FOC-FDX20-PP-STD6-OSP-PT9 - 1019682

Accessories

Device marker - LS-EMLP (60X15) WH - 0831696

Device marker, Sheet, white, unlabeled, can be labeled with: TOPMARK NEO, TOPMARK LASER, mounting type: adhesive, lettering field size: 60 x 15 mm, Number of individual labels: 20



Cable marker - WML-RFID/HF 14 (25X19)R - 0803386



Cable marker label with RFID-HF transponder, roll, white, unmarked, can be printed with: THERMOMARK ROLL, THERMOMARK ROLL X1, THERMOMARK X1.2, mounting type: adhesive, min. cable diameter: 9 mm, max. cable diameter: 14 mm, lettering field size: 25 x 19 mm