

Splice box - FOC-SB-FR19:1U-LCD24-OM2 GY - 1418816

Please be informed that the data shown in this PDF Document is generated from our Online Catalog. Please find the complete data in the user's documentation. Our General Terms of Use for Downloads are valid (<http://phoenixcontact.com/download>)

19" splice box, gray, 1 RU, fully pre-assembled ready to splice, for 24 x LC duplex OM2



19" splice box, gray, 24 x LC duplex OM2

Product Description

19" FDX 20 series splice boxes, 1 RU, with removable drawer, for 24x LC duplex OM2, gray, completely ready to splice (correctly pre-mounted: 24 ceramic couplings, 48 pigtails, 4 cassettes, 8 combs, 1 cassette cover, and 48x shrink splice protectors). 4 cable entries (rear) incl. 4 M20 cable glands, measurement protocol and 19" mounting set.

Your advantages

- removable drawer with quick release
- easy to remove drawer
- high-quality individual components
- 100 % control including measurement protocol
- fully prepared ready to splice
- 4 cable entries including 4 cable glands
- including 19" mounting set
- including shrink splice protection
- easy to install



Key Commercial Data

Packing unit	1 pc
GTIN	4 055626 151700
GTIN	4055626151700
Weight per Piece (excluding packing)	4,221.000 g
Custom tariff number	85389099
Country of origin	Germany
Note	Made to Order (non-returnable)

Splice box - FOC-SB-FR19:1U-LCD24-OM2 GY - 1418816

Technical data

Mechanical characteristics

Connection method	Splicing
Number of slots	48
No. of cable outlets	4
Locking type	Push Pull
Weight	4221 g

Ambient conditions

Ambient temperature (operation)	-10 °C ... 60 °C
Degree of protection	IP20

Material data

Housing material	Sheet steel
Housing surface material	Powder-coated, gray
Width	483 mm
Height	43.8 mm
Depth	329 mm
Mounting type	Screw mounting

Standards and Regulations

Flammability rating according to UL 94	V0
----------------------------------------	----

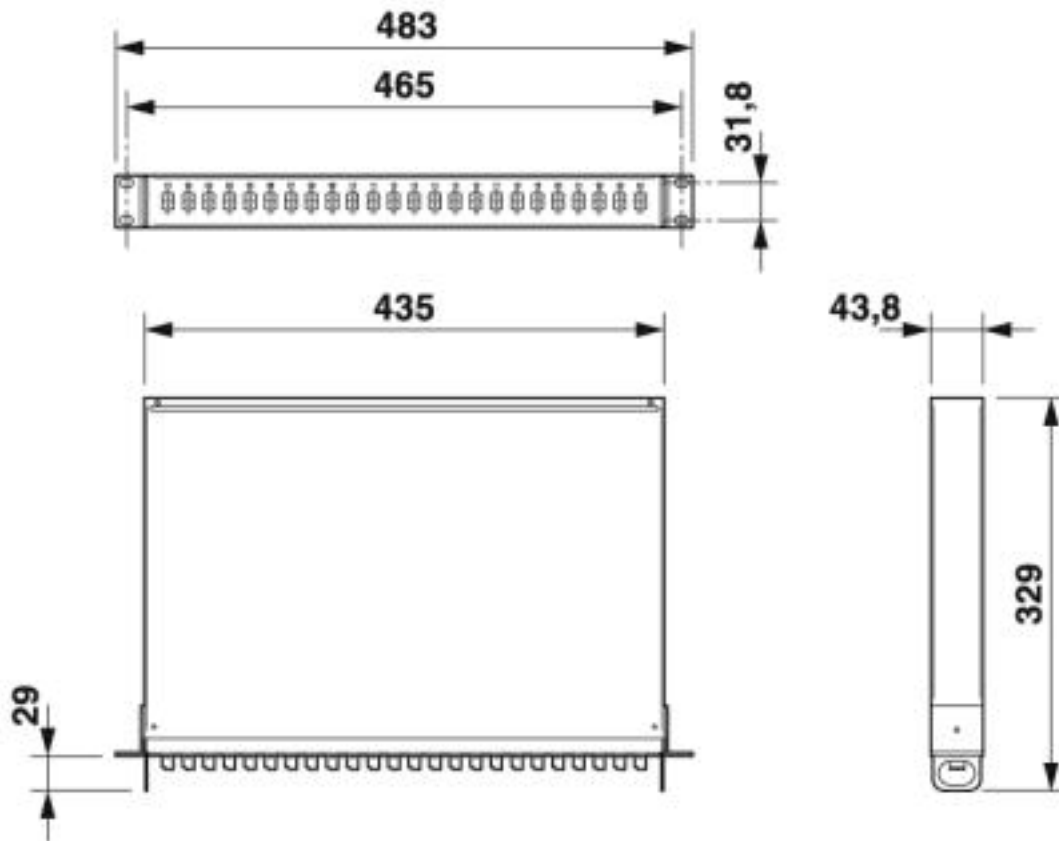
Environmental Product Compliance

China RoHS	Environmentally friendly use period: unlimited = EFUP-e
	No hazardous substances above threshold values

Drawings

Splice box - FOC-SB-FR19:1U-LCD24-OM2 GY - 1418816

Dimensional drawing



Classifications

eCl@ss

eCl@ss 4.0	27140800
eCl@ss 4.1	27140800
eCl@ss 5.0	27143400
eCl@ss 5.1	27143400
eCl@ss 6.0	27261200
eCl@ss 7.0	27440210
eCl@ss 8.0	27440210
eCl@ss 9.0	27440210

ETIM

ETIM 4.0	EC002310
ETIM 5.0	EC002310
ETIM 6.0	EC002310
ETIM 7.0	EC002310

UNSPSC

UNSPSC 6.01	31261501
-------------	----------

Splice box - FOC-SB-FR19:1U-LCD24-OM2 GY - 1418816

Classifications

UNSPSC

UNSPSC 7.0901	31261501
UNSPSC 11	31261501
UNSPSC 12.01	31261501
UNSPSC 13.2	39121421
UNSPSC 18.0	39121421
UNSPSC 19.0	39121421
UNSPSC 20.0	39121421
UNSPSC 21.0	39121421

Approvals

Approvals

Approvals

EAC

Ex Approvals

Approval details

EAC		B.01687
-----	--	---------

Accessories

Accessories

Data cable preassembled

FO patch cable - FOC-LC:A-LC:A-GZ01/... - 1405688



Assembled FO cable, zip cord cable, multi-mode fiberglass 50/125 µm, OM2, plug: LC/LC, degree of protection: IP20, for installation in cable ducts or control cabinets

Splice box - FOC-SB-FR19:1U-LCD24-OM2 GY - 1418816

Accessories

FO patch cable - FOC-ST:A-LC:A-GZ01/... - 1405706



Assembled FO cable, zip cord cable, multi-mode fiberglass 50/125 µm, OM2, plug: B-FOC (ST)/LC, degree of protection: IP20, for installation in cable ducts or control cabinets

FO patch cable - FOC-SC:A-LC:A-GZ01/... - 1405691



Assembled FO cable, zip cord cable, multi-mode fiberglass 50/125 µm, OM2, plug: SC duplex/LC, degree of protection: IP20, for installation in cable ducts or control cabinets

FO patch cable - FOC-LC:A-SJ:A-GZ01/... - 1405694



Assembled FO cable, zip cord cable, multi-mode fiberglass 50/125 µm, OM2, plug: LC/SC-RJ, degree of protection: IP20, for installation in cable ducts or control cabinets

FO accessories - FOC-TOOL-FERRULECLEANER-1.25 - 1407032



Ferrule cleaner, 1.25 mm, for LC, approx. 500 cleaning cycles

FO accessories - FOC-TOOL-STICKCLEANER-1.25 - 1407000



Stick cleaner for couplings and plug end faces, 1.25 mm (LC), Pcs. / Pkt.: 10

Splice box - FOC-SB-FR19:1U-LCD24-OM2 GY - 1418816

Accessories

Marshalling panel - CUC-PP-PATCHBAY - 1407994

Marshalling panel, type: 19" rack/fixed housing, degree of protection: IP20, material: Steel, powder-coated, connection method: Screw connection (in connection with the base element), color: light grey RAL 7035



Marshalling panel - CUC-PP-PATCHBAY-MH - 1409283

Marshalling panel, type: 19" rack/fixed housing, degree of protection: IP20, material: Steel, powder-coated, connection method: Screw connection (in connection with the base element), size of housing: 1, color: light grey RAL 7035

