


## Lower mounting part - IBS RL AP - 2731128

Please be informed that the data shown in this PDF Document is generated from our Online Catalog. Please find the complete data in the user's documentation. Our General Terms of Use for Downloads are valid (<http://phoenixcontact.com/download>)

Mounting plate for Ruggedline devices



### Key Commercial Data

Packing unit	10 pc
Minimum order quantity	10 pc
GTIN	 4 017918 185664
GTIN	4017918185664
Weight per Piece (excluding packing)	182.560 g
Custom tariff number	73269098
Country of origin	Germany

### Technical data

#### Dimensions

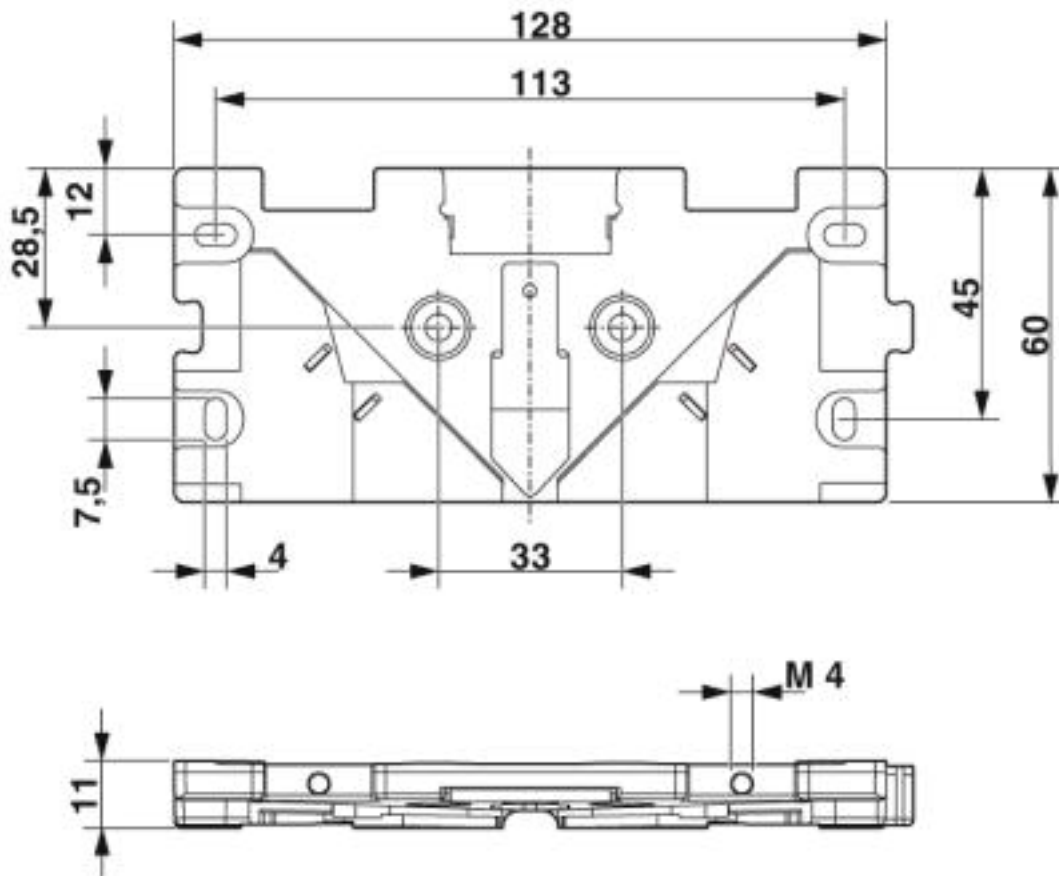
#### General

Mounting type	Wall mounting
---------------	---------------

### Drawings

## Lower mounting part - IBS RL AP - 2731128

Dimensional drawing



Mounting plate for Ruggedline devices, dimensions in mm

### Classifications

eCl@ss

eCl@ss 10.0.1	27242692
eCl@ss 4.0	27250200
eCl@ss 4.1	27250200
eCl@ss 5.0	27259200
eCl@ss 5.1	27242600
eCl@ss 6.0	27249200
eCl@ss 7.0	27249290
eCl@ss 8.0	27249290
eCl@ss 9.0	27242692

ETIM

ETIM 2.0	EC000313
ETIM 3.0	EC000313
ETIM 4.0	EC002584

# Lower mounting part - IBS RL AP - 2731128

## Classifications

### ETIM

ETIM 5.0	EC002584
ETIM 6.0	EC002584
ETIM 7.0	EC002584

### UNSPSC

UNSPSC 6.01	43172015
UNSPSC 7.0901	43201404
UNSPSC 11	39121311
UNSPSC 12.01	39121311
UNSPSC 13.2	39121552
UNSPSC 18.0	32151602
UNSPSC 19.0	32151602
UNSPSC 20.0	32151602
UNSPSC 21.0	32151602

## Approvals

### Approvals

---

Approvals


EAC

---

Ex Approvals

---

### Approval details

EAC		EAC-Zulassung
-----	---	---------------