

## Extension module - PSR-SPP- 24UC/URM4/5X1/2X2 - 2964005

Please be informed that the data shown in this PDF Document is generated from our Online Catalog. Please find the complete data in the user's documentation. Our General Terms of Use for Downloads are valid (<http://phoenixcontact.com/download>)



Single-channel or two-channel contact extension, 5 N/O contacts, 1 N/C contact, 1 confirmation current path, together with basic device up to Cat. 4 PL e in accordance with EN ISO 13849 safe isolation, width: 35 mm, pluggable Push-in terminal block


The figure shows a version with a screw connection

### Your advantages

- ✓ Five enabling, one signaling, and one confirmation current path
- ✓ Up to Cat. 4/PL e according to ISO 13849-1, SILCL 3 according to IEC 62061, SIL 3 according to IEC 61508
- ✓ Single and two-channel control
- ✓ Time saving push-in connection, tools not required
- ✓ Potentials can be easily looped through – ideal for BUS applications
- ✓ Intuitive use through colour coded actuation lever
- ✓ Can be combined with the MSTB 2,5 range
- ✓ Quick and convenient testing using integrated test option



### Key Commercial Data

Packing unit	1 pc
GTIN	 4 017918 904739
GTIN	4017918904739
Weight per Piece (excluding packing)	270.180 g
Custom tariff number	85371098
Country of origin	Germany

### Technical data

#### Note

Utilization restriction	EMC: class A product, see manufacturer's declaration in the download area
-------------------------	---

#### Dimensions

# Extension module - PSR-SPP- 24UC/URM4/5X1/2X2 - 2964005

## Technical data

### Dimensions

Width	35 mm
Height	112 mm
Depth	114.5 mm

### Ambient conditions

Ambient temperature (operation)	-20 °C ... 55 °C
Ambient temperature (storage/transport)	-40 °C ... 70 °C
Max. permissible relative humidity (operation)	75 % (on average, 85% infrequently, non-condensing)
Max. permissible humidity (storage/transport)	75 % (on average, 85% infrequently, non-condensing)
Maximum altitude	≤ 2000 m (Above sea level)

### Input data

Nominal input voltage $U_N$	24 V AC/DC
Input voltage range in reference to $U_N$	0.8 ... 1.1
Typical input current at $U_N$	47 mA (per channel)
Typical response time	20 ms
Typical release time	20 ms
Concurrence input 1/2	∞
Status display	Green LED
Protective circuit	Surge protection Suppressor diode

### Output data

Contact type	5 enabling current paths
	1 signaling current path
	1 confirmation current path
Contact material	AgSnO <sub>2</sub> , + 0.2 μm Au
Maximum switching voltage	250 V AC/DC
Minimum switching voltage	15 V AC/DC
Limiting continuous current	6 A (N/O contact)
	3 A (N/C contact 11/12)
Maximum inrush current	6 A
	3 A (N/C contact 11/12)
Inrush current, minimum	25 mA
Sq. Total current	$72 \text{ A}^2 (I_{TH}^2 = I_1^2 + I_2^2 + \dots + I_5^2)$
Interrupting rating (ohmic load) max.	144 W (24 V DC, τ = 0 ms, N/C contact 11/12: 72 W)
	288 W (48 V DC, τ = 0 ms, N/C contact 11/12: 144 W)
	110 W (110 V DC, τ = 0 ms)
	88 W (220 V DC, τ = 0 ms)
	1500 VA (250 V AC, τ = 0 ms, N/C contact 11/12: 750 VA)
Maximum interrupting rating (inductive load)	42 W (24 V DC, τ = 40 ms)
	42 W (48 V DC, τ = 40 ms)
	42 W (110 V DC, τ = 40 ms)

## Extension module - PSR-SPP- 24UC/URM4/5X1/2X2 - 2964005

### Technical data

#### Output data

	42 W (220 V DC, $\tau = 40$ ms)
Switching capacity min.	0.4 W
Mechanical service life	approx. $10^7$ cycles
Switching capacity (360/h cycles)	4 A (24 V DC)
	4 A (230 V AC)
Output fuse	6 A fast blow
	C6 (24 V AC/DC) automatic device

#### General

Relay type	Electromechanical relay with forcibly guided contacts in accordance with EN 50205
Nominal operating mode	100% operating factor
Net weight	270.18 g
Mounting position	any
Mounting type	DIN rail mounting
Degree of protection	IP20
	IP54
Min. degree of protection of inst. location	IP54
Housing color	yellow

#### Connection data

Connection method	Push-in connection
pluggable	Yes
Conductor cross section solid min.	0.2 mm <sup>2</sup>
Conductor cross section solid max.	1.5 mm <sup>2</sup>
Conductor cross section flexible min.	0.2 mm <sup>2</sup>
Conductor cross section flexible max.	1.5 mm <sup>2</sup>
Conductor cross section AWG min.	24
Conductor cross section AWG max.	16
Stripping length	8 mm

#### Safety-related characteristic data

Stop category	0
Designation	IEC 61508 - High demand
Safety Integrity Level (SIL)	3 (In conjunction with suitable evaluating device)
Designation	IEC 61508 - Low demand
Safety Integrity Level (SIL)	3 (In conjunction with suitable evaluating device)
Designation	EN ISO 13849
Performance level (PL)	e (In conjunction with suitable evaluating device)
Category	4 (In conjunction with suitable evaluating device)
Designation	EN 62061
Safety Integrity Level Claim Limit (SIL CL)	3 (In conjunction with suitable evaluating device)

# Extension module - PSR-SPP- 24UC/URM4/5X1/2X2 - 2964005

## Technical data

### Standards and Regulations

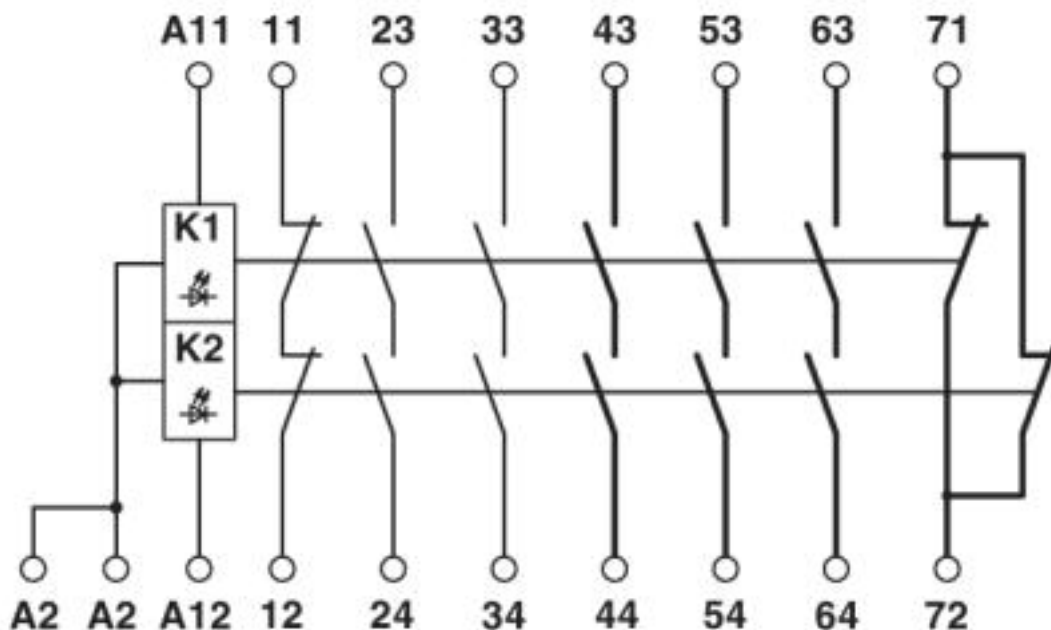
Designation	Air clearances and creepage distances between the power circuits
Standards/regulations	DIN EN 50178/VDE 0160
Rated insulation voltage	250 V
Rated surge voltage/insulation	4 kV / Basic isolation, (safe isolation, reinforced insulation and 6 kV between input circuit and enabling current paths(43/44, 53/54, 63/64, 71/72) and between 43/44, 53/54, 63/64, 71/72 themselves.)
Degree of pollution	2
Overvoltage category	III
Shock	15g
Vibration (operation)	10 Hz ... 150 Hz, 2g

### Environmental Product Compliance

China RoHS	Environmentally Friendly Use Period = 50
	For details about hazardous substances go to tab "Downloads", Category "Manufacturer's declaration"

## Drawings

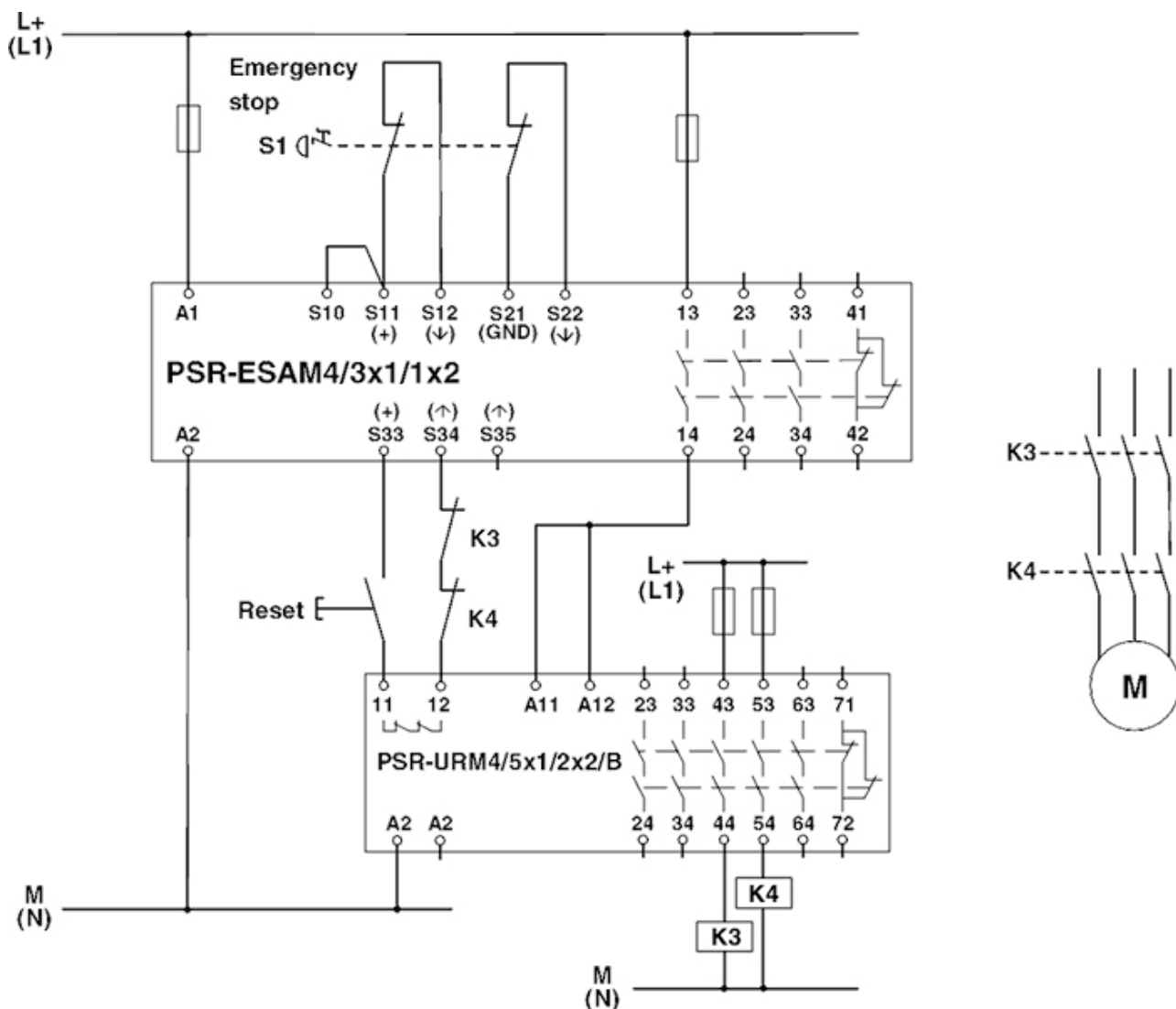
Circuit diagram



Block diagram

# Extension module - PSR-SPP- 24UC/URM4/5X1/2X2 - 2964005

Circuit diagram



## Extension module - PSR-SPP- 24UC/URM4/5X1/2X2 - 2964005

### Classifications

#### eCl@ss

eCl@ss 4.0	40020600
eCl@ss 4.1	40020600
eCl@ss 5.0	27371900
eCl@ss 5.1	27371900
eCl@ss 6.0	27371800
eCl@ss 7.0	27371819
eCl@ss 8.0	27371819
eCl@ss 9.0	27371819

#### ETIM

ETIM 2.0	EC000196
ETIM 3.0	EC001449
ETIM 4.0	EC001449
ETIM 5.0	EC001449
ETIM 6.0	EC001449
ETIM 7.0	EC001449

#### UNSPSC

UNSPSC 6.01	30211901
UNSPSC 7.0901	39121501
UNSPSC 11	39121501
UNSPSC 12.01	39121501
UNSPSC 13.2	39121501
UNSPSC 18.0	39122205
UNSPSC 19.0	39122205
UNSPSC 20.0	39122205
UNSPSC 21.0	39122205

### Approvals

#### Approvals

---

##### Approvals

UL Listed / cUL Listed / EAC / cULus Listed

---

##### Ex Approvals

---

##### Approvals submitted


##### Functional Safety


## Extension module - PSR-SPP- 24UC/URM4/5X1/2X2 - 2964005


### Approvals

---

#### Approval details

UL Listed		<a href="http://database.ul.com/cgi-bin/XYV/template/LISEXT/1FRAME/index.htm">http://database.ul.com/cgi-bin/XYV/template/LISEXT/1FRAME/index.htm</a>	FILE E 140324
-----------	---	---	---------------

cUL Listed		<a href="http://database.ul.com/cgi-bin/XYV/template/LISEXT/1FRAME/index.htm">http://database.ul.com/cgi-bin/XYV/template/LISEXT/1FRAME/index.htm</a>	FILE E 140324
------------	---	---	---------------

EAC			RU C- DE.A*30.B.01082
-----	---	--	--------------------------

cULus Listed			
--------------	--	--	--