

# Front panel feed-through - RC-0000000B2FZ - 1592781


Please be informed that the data shown in this PDF Document is generated from our Online Catalog. Please find the complete data in the user's documentation. Our General Terms of Use for Downloads are valid (<http://phoenixcontact.com/download>)



Front panel feed-through, straight, Screw locking, M23, Radial O-ring, 4x Ø2,7, shielded: yes, panel thickness min.: 3 mm, panel thickness max.: 7 mm, cable diameter range: 2 mm ... 10.5 mm



## Key Commercial Data

Packing unit	20 pc
Minimum order quantity	20 pc
GTIN	 4 046356 192743
GTIN	4046356192743
Weight per Piece (excluding packing)	66.870 g
Custom tariff number	85366990
Country of origin	Germany
Note	Made to Order (non-returnable)

## Technical data

### General

Note	Order information: Order contact inserts and cable clamping/shield accessories separately
Type of locking	Screw locking
Contact connection method	Crimp connection
Type of contacts	Socket
Conductor entry	2 mm ... 10.5 mm
Pg housing screw connection	none
Mounting type	4x Ø2,7

### Ambient conditions

Ambient temperature	-20 °C ... 125 °C
Degree of protection	IP67

### Material

# Front panel feed-through - RC-0000000B2FZ - 1592781

## Technical data

### Material

Housing material	Turned parts: copper zinc alloy (CuZn), die-cast parts: zinc (GD-Zn)
Gasket and O-ring material	FPM

### Specifications according to DIN EN 61984:2001

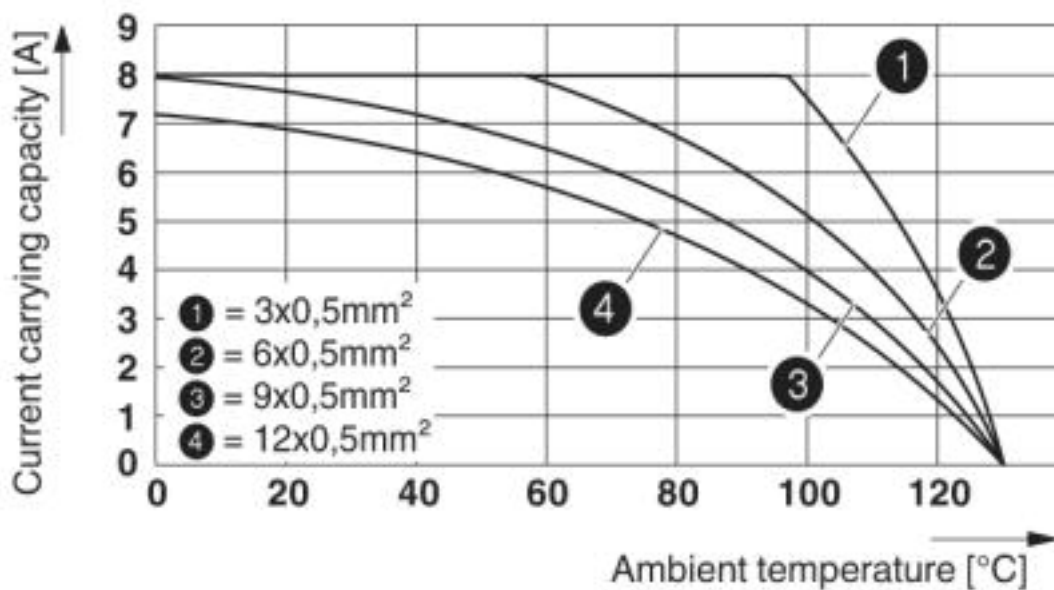
Installation height max.	2000 m
--------------------------	--------

### Environmental Product Compliance

	Lead 7439-92-1
China RoHS	Environmentally Friendly Use Period = 50
	For details about hazardous substances go to tab "Downloads", Category "Manufacturer's declaration"

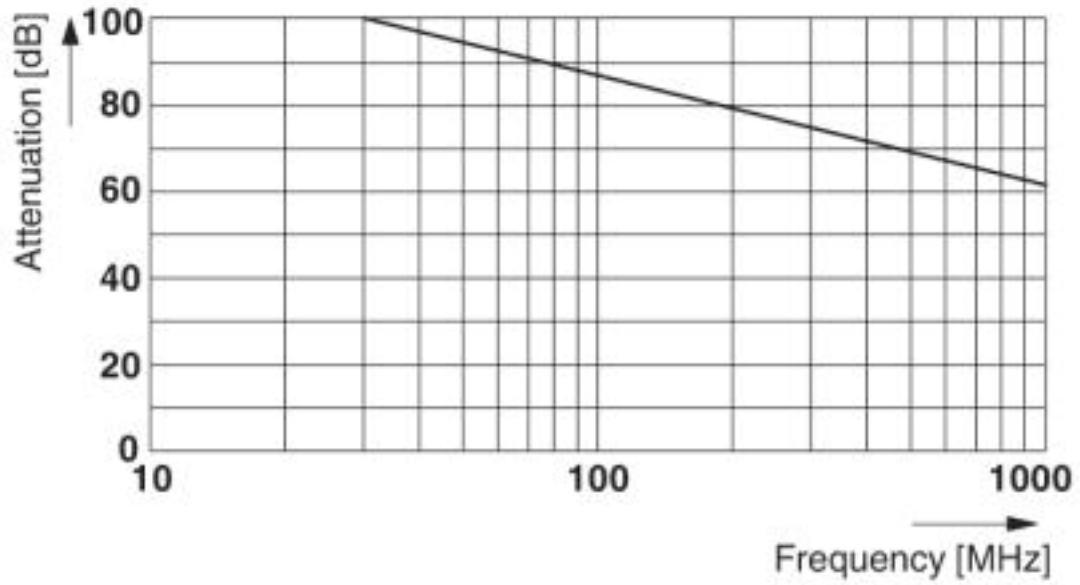
## Drawings

Diagram

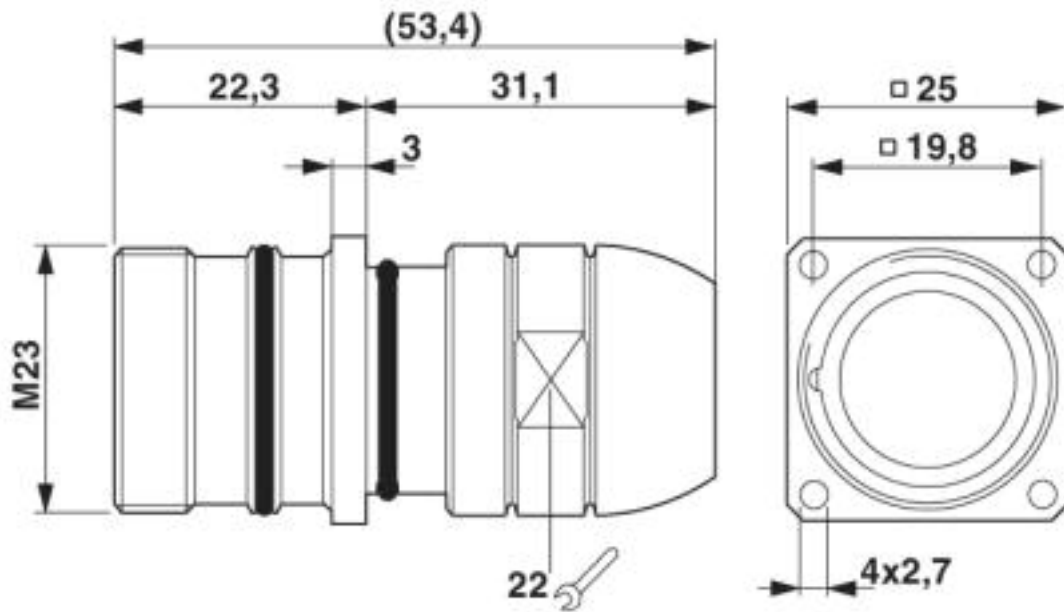


# Front panel feed-through - RC-0000000B2FZ - 1592781

Diagram

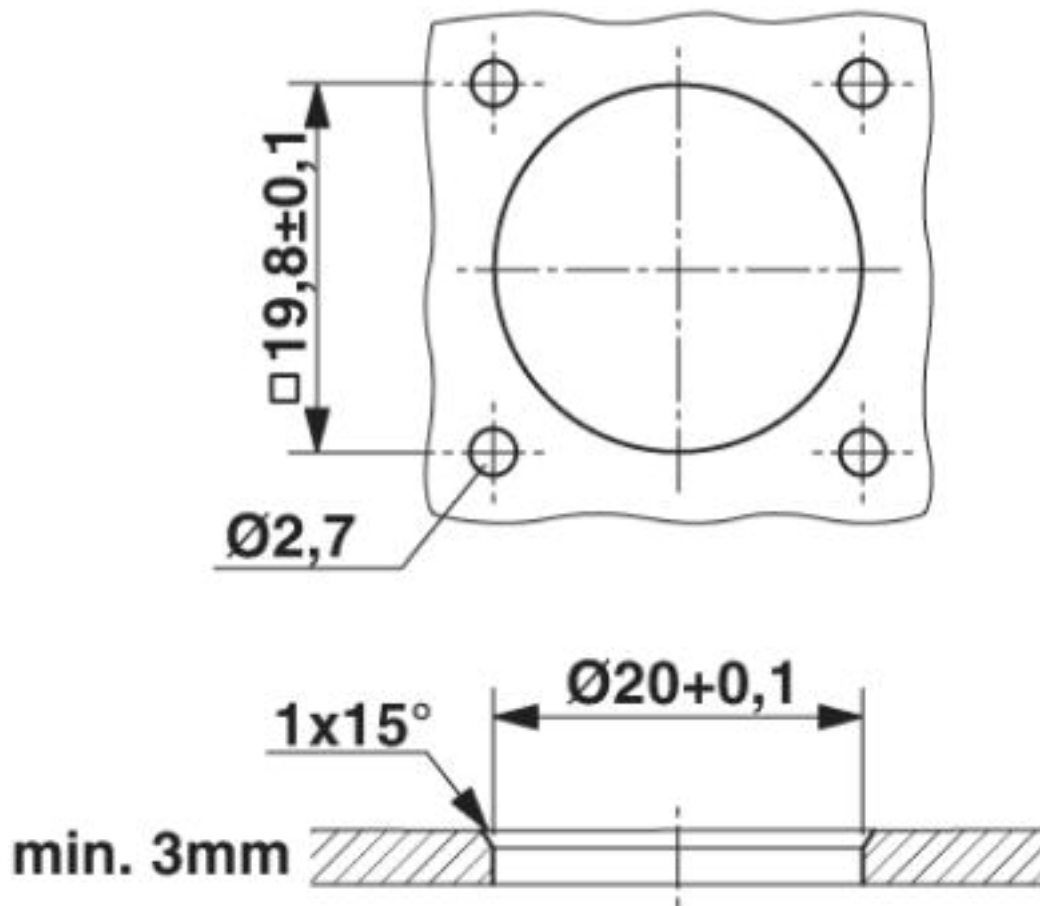


Dimensional drawing



# Front panel feed-through - RC-0000000B2FZ - 1592781

Dimensional drawing



Installation dimensions  
Flat gasket, radial O-ring

## Classifications

eCl@ss

eCl@ss 4.0	27260700
eCl@ss 4.1	27260700
eCl@ss 5.0	27260700
eCl@ss 5.1	27260700
eCl@ss 6.0	27260700
eCl@ss 7.0	27440312
eCl@ss 8.0	27440312
eCl@ss 9.0	27440312

ETIM

ETIM 3.0	EC001121
ETIM 4.0	EC001121

# Front panel feed-through - RC-0000000B2FZ - 1592781

## Classifications

### ETIM

ETIM 5.0	EC002641
ETIM 6.0	EC002641
ETIM 7.0	EC002641

### UNSPSC

UNSPSC 6.01	43172015
UNSPSC 7.0901	43201404
UNSPSC 11	43172015
UNSPSC 12.01	43201404
UNSPSC 13.2	39121419
UNSPSC 18.0	39121419
UNSPSC 19.0	39121419
UNSPSC 20.0	39121419
UNSPSC 21.0	39121419

## Approvals

### Approvals

---

Approvals


EAC

---

Ex Approvals

---

### Approval details

EAC		B.01742
-----	---	---------