

Electronic housing - UEG-EU-BE - 2956819

Please be informed that the data shown in this PDF Document is generated from our Online Catalog. Please find the complete data in the user's documentation. Our General Terms of Use for Downloads are valid (<http://phoenixcontact.com/download>)



Electronics housing base element with snap-on foot for mounting on standard DIN rail, 35 mm wide


The figure shows a fully mounted version of the electronic housing

Your advantages

- We will be happy to provide custom cutouts in the base element for connection elements
- UEG-EU-VS connection pins ensure the necessary stability
- Individual UEG-EU-BE base elements can be mounted to extend the installation space
- Direct mounting of the PCB on the UEG-EU BE base element with B 2,2 x 9,5 DIN ISO 1481 sheet metal screws
- Snap-in mounting on standard EN DIN rails



Key Commercial Data

Packing unit	5 pc
Minimum order quantity	5 pc
GTIN	 4 017918 085957
GTIN	4017918085957
Weight per Piece (excluding packing)	77.300 g
Custom tariff number	85369010
Country of origin	Germany

Technical data

General

Housing type	Component housing
Housing material	Polyamide fiber reinforced
Color (RAL)	green

Ambient conditions

Ambient temperature (operation)	-40 °C ... 105 °C
---------------------------------	-------------------

Electronic housing - UEG-EU-BE - 2956819

Technical data

Dimensions

Length	172 mm
Height	127.5 mm
Width	35 mm
Depth	172 mm

Technical data

Power dissipation without gap	8.9 W
Power dissipation with 20 mm gap	18.3 W

Standards and Regulations

Flammability rating according to UL 94	HB
--	----

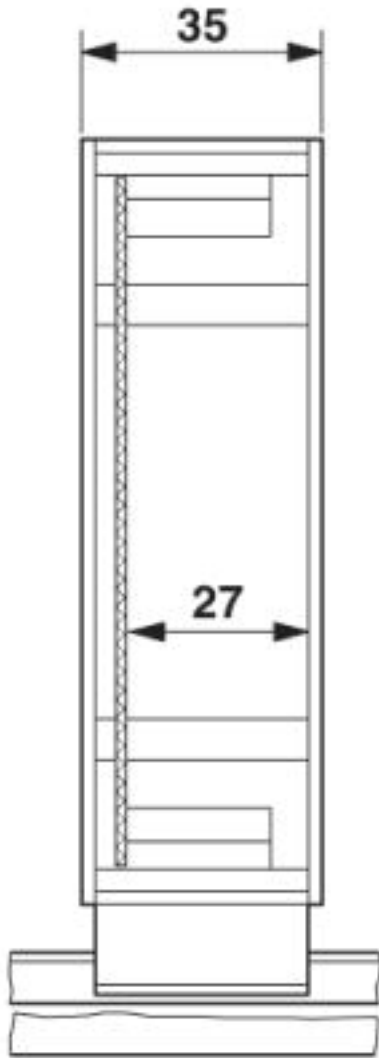
Environmental Product Compliance

China RoHS	Environmentally friendly use period: unlimited = EFUP-e
	No hazardous substances above threshold values

Drawings

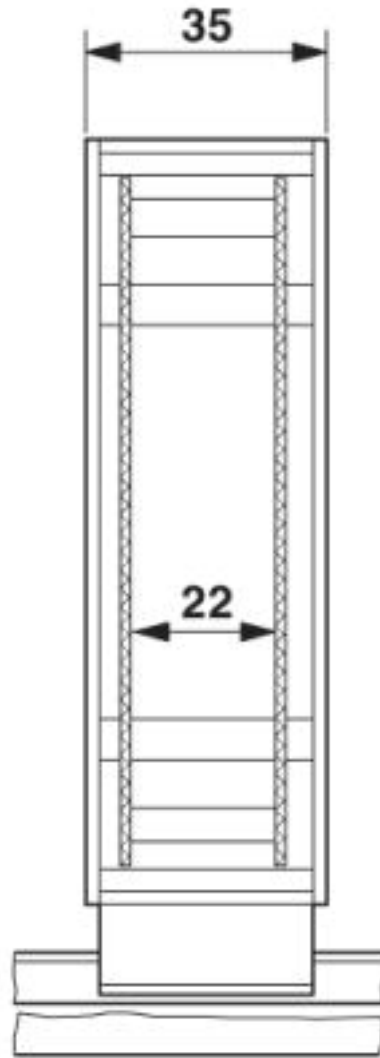
Electronic housing - UEG-EU-BE - 2956819

Dimensional drawing



Maximum height of the components on the PCB, for 1 PCB

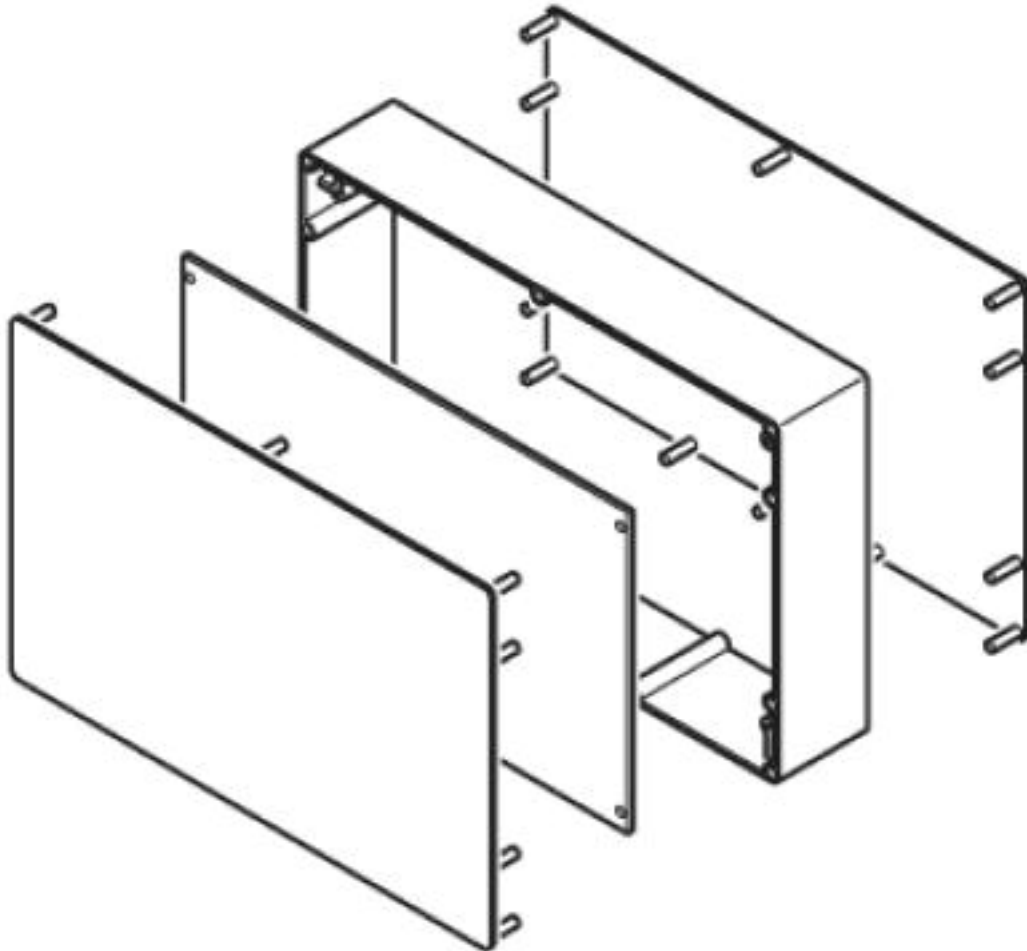
Dimensional drawing



Maximum height of the components on the PCB with 2 PCBs

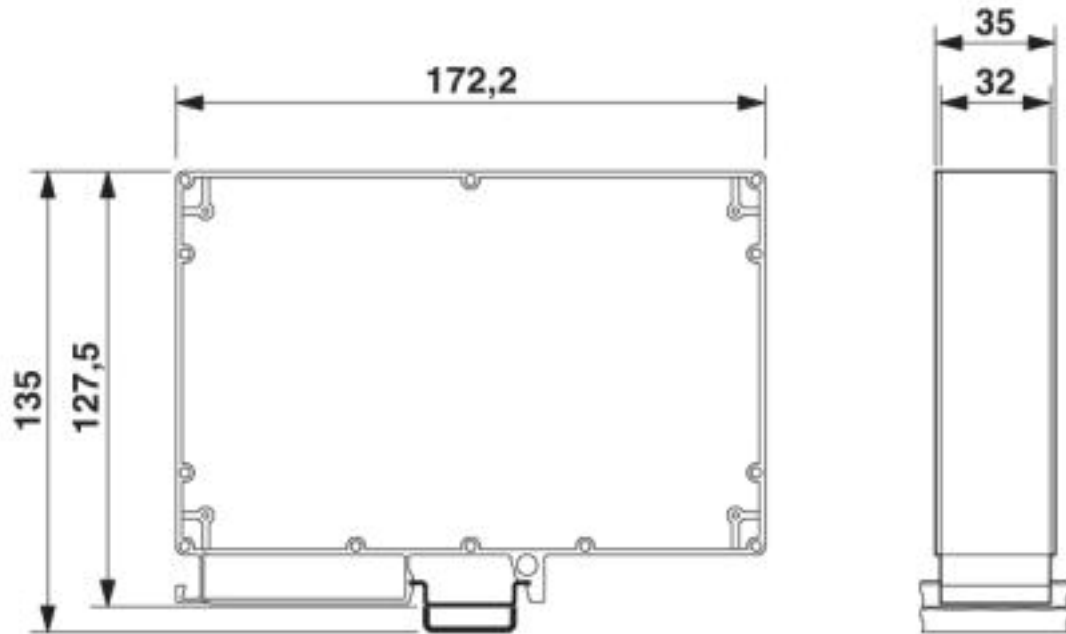
Electronic housing - UEG-EU-BE - 2956819

Exploded view

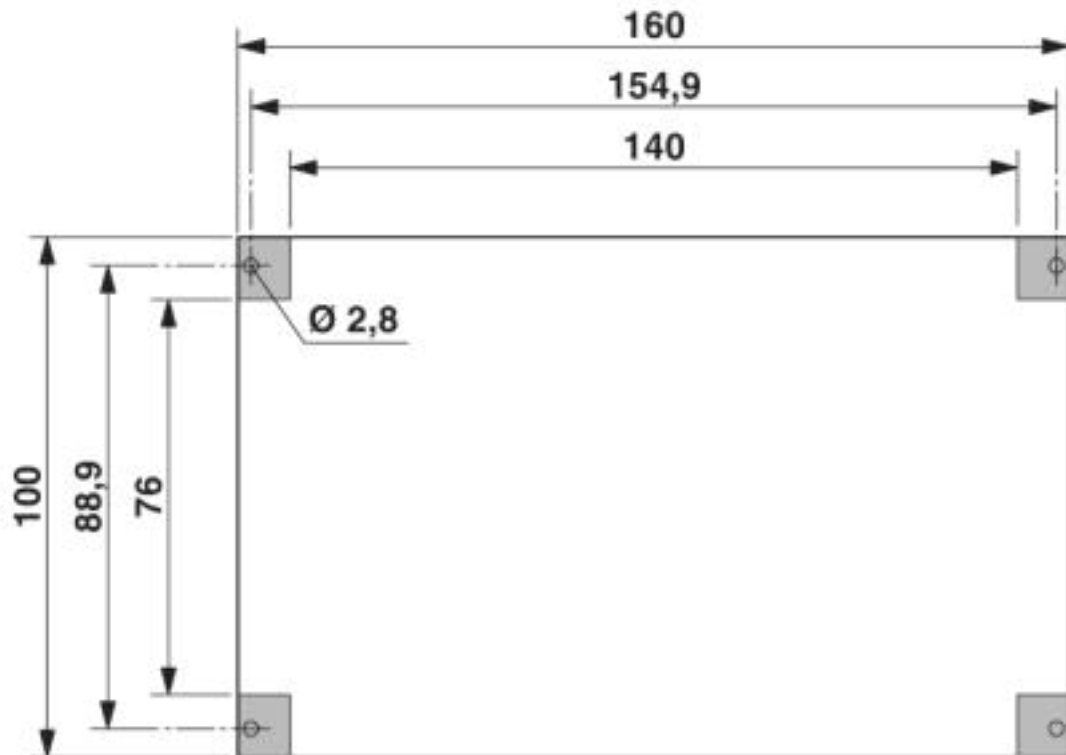


Electronic housing - UEG-EU-BE - 2956819

Dimensional drawing



Dimensional drawing



Electronic housing - UEG-EU-BE - 2956819

Classifications

eCl@ss

eCl@ss 4.0	27180400
eCl@ss 4.1	27180400
eCl@ss 5.0	27180500
eCl@ss 5.1	27180500
eCl@ss 6.0	27180800
eCl@ss 7.0	27182702
eCl@ss 8.0	27182702
eCl@ss 9.0	27182702

ETIM

ETIM 2.0	EC001031
ETIM 3.0	EC001031
ETIM 4.0	EC001031
ETIM 5.0	EC001031
ETIM 6.0	EC001031
ETIM 7.0	EC001031

UNSPSC

UNSPSC 6.01	31261501
UNSPSC 7.0901	31261501
UNSPSC 11	31261501
UNSPSC 12.01	31261501
UNSPSC 13.2	31261501
UNSPSC 18.0	31261501
UNSPSC 19.0	31261501
UNSPSC 20.0	31261501
UNSPSC 21.0	31261501

Approvals

Approvals

Approvals

EAC

Ex Approvals

Approval details

Electronic housing - UEG-EU-BE - 2956819

Approvals

EAC



B.01742

Accessories

Accessories

Mounting material

Connection element - UEG-EU-VS - 5028883



Connection pin, for engaging several base elements to form one unit; 12 necessary per element.

Necessary add-on products

Side element - UEG-EU-SE - 2956822



Side element, two pieces necessary, for closing the base element, 1.5 mm thick.