

Active module - UM-2KS50/32R/SI/J/DO24V/YCS - 2908399

Please be informed that the data shown in this PDF Document is generated from our Online Catalog. Please find the complete data in the user's documentation. Our General Terms of Use for Downloads are valid (<http://phoenixcontact.com/download>)



32-channel, 24 V DC output relay module with screw connection and redundant, 50-pos. system connection, fuse and jumper in every output circuit, for Yokogawa ADV551 and ADV561



Key Commercial Data

Packing unit	1 pc
GTIN	
GTIN	4055626297705
Weight per Piece (excluding packing)	931.000 g
Custom tariff number	85369010
Country of origin	Germany
Note	Made to Order (non-returnable)

Technical data

Note

Utilization restriction	EMC: class A product, see manufacturer's declaration in the download area
Note	Do not connect adjacent channels to SELV/PELV and FELV.
	No additional touch protection is required when using a SELV/PELV voltage (≤ 25 V AC or 60 V DC).
	At least one functional insulation against adjacent modules is complied with (in the support rail direction). If the application has stricter requirements for the insulation (basic insulation or reinforced insulation), they must be realized by applying suitable measures (e. g. partition plates).
	Do not use for isolation

Dimensions

Width	217.5 mm
Height	127.5 mm
Depth	60.5 mm

Active module - UM-2KS50/32R/SI/J/DO24V/YCS - 2908399

Technical data

Ambient conditions

Ambient temperature (operation)	-20 °C ... 50 °C
Ambient temperature (storage/transport)	-20 °C ... 80 °C
Permissible humidity (operation)	10 % ... 95 % (non-condensing)
Degree of protection	IP20

Input data

Nominal input voltage U_N	24 V DC
Input voltage range in reference to U_N	0.8 ... 1.2
Typical input current at U_N	7 mA
Typical response time	5 ms
Typical release time	6 ms
Type of protection	Free-wheeling diode
Protective circuit/component	Damping diode
Status display/channel	green LED

Output data

Contact type	1 N/O contact
Contact material	AgSnO
Maximum switching voltage	24 V DC
Minimum switching voltage	5 V (100 mA)
Limiting continuous current	2 A (at 23 °C, protected by fuse (2 AT))
	1.7 A (at 50 °C, protected by fuse (2 AT))
Min. switching current	1 mA (24 V)
Interrupting rating (ohmic load) max.	48 W

General

Mechanical service life	2x 10 ⁷ cycles
Operating mode	100% operating factor
Mounting position	any
Assembly instructions	In rows with zero spacing
Color	green

Connection data

Connection name	Controller level
Connection method	Yokogawa KS-compatible
Number of connections	2
Number of positions	50

Connection data 2

Connection name	Field level
Connection method	Screw connection
Number of connections	32
Number of positions	2

Active module - UM-2KS50/32R/SI/J/DO24V/YCS - 2908399

Technical data

Connection data 2

Conductor cross section solid	0.2 mm ² ... 4 mm ²
Conductor cross section flexible	0.2 mm ² ... 2.5 mm ²
Conductor cross section AWG	24 ... 12

Connection data 3

Connection name	Supply
Connection method	Screw connection
Number of connections	4
Number of positions	2
Conductor cross section solid	0.2 mm ² ... 4 mm ²
Conductor cross section flexible	0.2 mm ² ... 2.5 mm ²
Conductor cross section AWG	24 ... 12

Supported controller

Controller	YOKOGAWA CENTUM VP
- suitable I/O card	ADV551
	ADV561
	NFDV551
	NFDV561

Standards and Regulations

Standards/regulations	DIN EN 50178
	IEC 60664-1
Rated insulation voltage	50 V AC
Rated surge voltage	0.5 kV (basic insulation)
Pollution degree	2
Overvoltage category	II

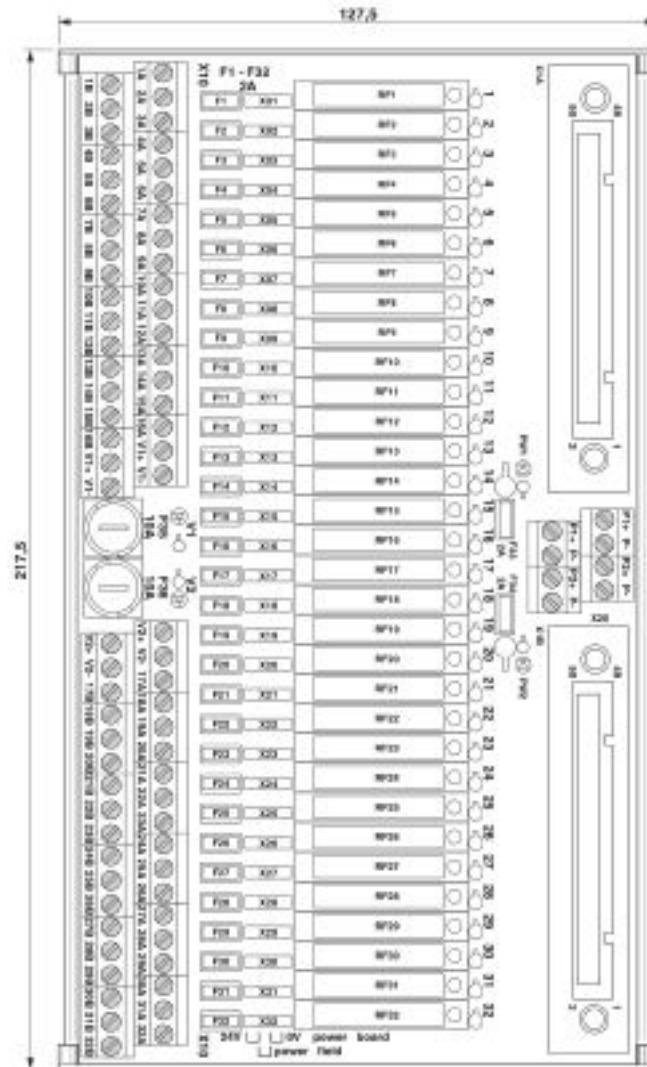
Environmental Product Compliance

REACH SVHC	Lead 7439-92-1
China RoHS	Environmentally Friendly Use Period = 50
	For details about hazardous substances go to tab "Downloads", Category "Manufacturer's declaration"

Drawings

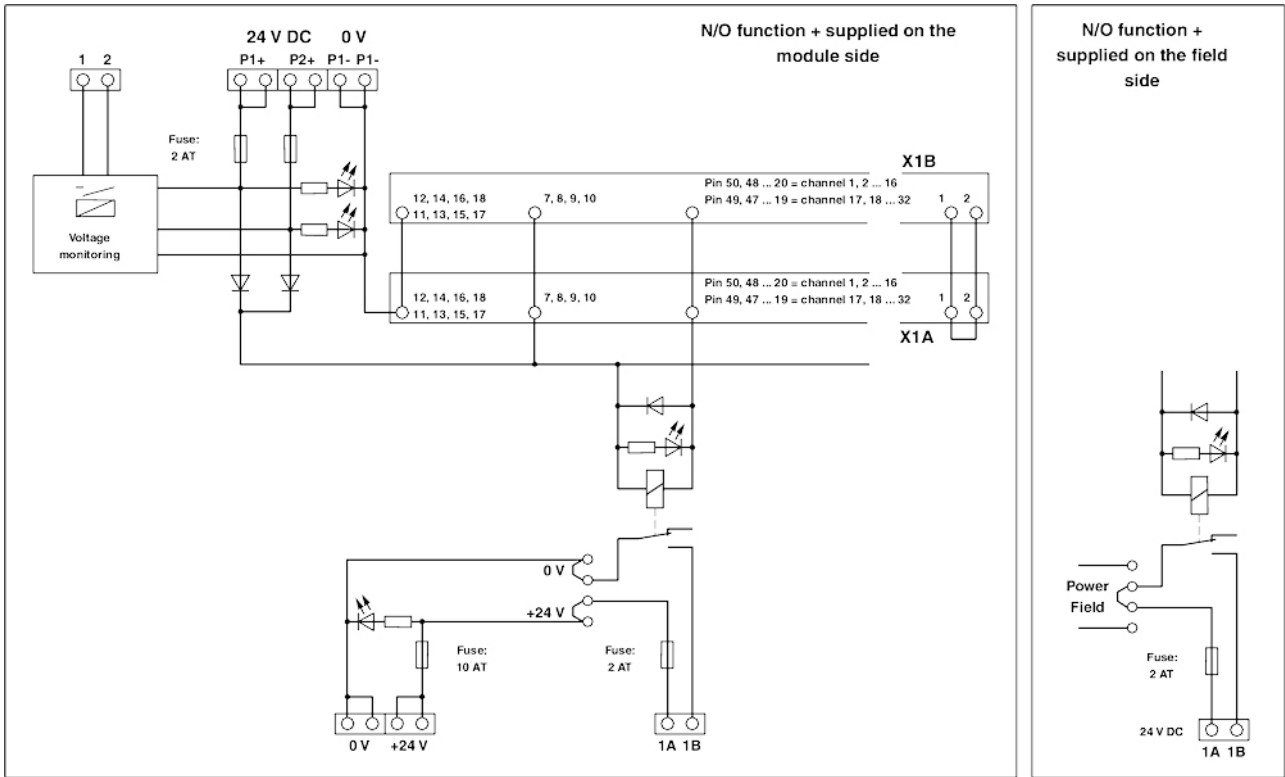
Active module - UM-2KS50/32R/SI/J/DO24V/YCS - 2908399

Dimensional drawing



Active module - UM-2KS50/32R/SI/J/DO24V/YCS - 2908399

Circuit diagram



Active module - UM-2KS50/32R/SI/J/DO24V/YCS - 2908399

Classifications

eCl@ss

eCl@ss 4.0	27250313
eCl@ss 4.1	27250313
eCl@ss 5.0	27250313
eCl@ss 5.1	27250313
eCl@ss 7.0	27141152
eCl@ss 8.0	27141152
eCl@ss 9.0	27141152

ETIM

ETIM 5.0	EC002780
ETIM 6.0	EC002780
ETIM 7.0	EC002780

UNSPSC

UNSPSC 13.2	39121432
UNSPSC 18.0	39121432
UNSPSC 19.0	39121432
UNSPSC 20.0	39121432
UNSPSC 21.0	39121432

Approvals

Approvals

Approvals

EAC

Ex Approvals

Approval details

EAC		RU C- DE.A*30.B.01742
-----	--	--------------------------

Accessories

Spare parts

Active module - UM-2KS50/32R/SI/J/DO24V/YCS - 2908399

Accessories

Single relay - REL-MR- 24DC/21 - 2961105



Plug-in miniature power relay, with power contact, 1 PDT, input voltage 24 V DC

Phoenix Contact 2020 © - all rights reserved
<http://www.phoenixcontact.com>