

Repeater - FB-DP-RPTR - 2316373

Please be informed that the data shown in this PDF Document is generated from our Online Catalog. Please find the complete data in the user's documentation. Our General Terms of Use for Downloads are valid (<http://phoenixcontact.com/download>)



PROFIBUS DP interface/repeater module


Product Description

PROFIBUS DP repeater expansion module for the PROFIBUS DP/PA coupler system

Your advantages

- Automatic detection of baud rate up to 12 Mbps
- Integrated switchable terminator
- Supported protocols: DP-V0, V1, V2, FDL, MPI, FMS and Profisafe
- No bus addressing of device required

Key Commercial Data

Packing unit	1 pc
GTIN	 4 055626 020495
GTIN	4055626020495
Weight per Piece (excluding packing)	276.500 g
Custom tariff number	85176200
Country of origin	Netherlands

Technical data

Dimensions

Width	25 mm
Height	100 mm
Depth	132 mm

Ambient conditions

Ambient temperature (operation)	-20 °C ... 60 °C
Ambient temperature (storage/transport)	-20 °C ... 60 °C
Permissible humidity (operation)	5 % ... 95 % (non-condensing)

Repeater - FB-DP-RPTR - 2316373

Technical data

Ambient conditions

Permissible humidity (storage/transport)	5 % ... 95 % (non-condensing)
Altitude	2000 m
Degree of protection	IP20

General

Mounting position	On horizontal DIN rail NS 35 in acc. with EN 60715
Net weight	276.5 g
Color	green
UL, USA/Canada	UL 508 Listed
UL, Canada	CSA C22.2 No. 142

Power supply

Supply voltage range	Supplied via backplane
Max. current consumption	270 mA
Typical current consumption	± 160 mA
Connection method	Bus base module
Conductor cross section flexible max.	2.50 mm ²
Conductor cross section flexible min.	0.20 mm ²
Conductor cross section solid max.	2.50 mm ²
Conductor cross section solid min.	0.20 mm ²
Conductor cross section AWG max.	12
Conductor cross section AWG min.	24

Interfaces

Interface 1	PROFIBUS DP
Termination resistor	390 Ω - 220 Ω - 390 Ω (switchable)

Standards and Regulations

Designation	Standards/regulations
Standards/regulations	Ring wave noise immunity in acc. with IEC 61000-4-12
Designation	Standards/regulations
Standards/regulations	Dry heat in acc. with IEC 61131-2
Designation	Standards/regulations
Standards/regulations	Damp heat in acc. with IEC 61131-2
Designation	Standards/regulations
Standards/regulations	Shock and vibration in acc. with EN 61131-2 and EN 50178
Designation	PROFIBUS standardization
Standards/regulations	IEC 61158-2
UL, USA/Canada	UL 508 Listed
UL, Canada	CSA C22.2 No. 142

Environmental Product Compliance

China RoHS	Environmentally Friendly Use Period = 50
------------	--

Repeater - FB-DP-RPTR - 2316373

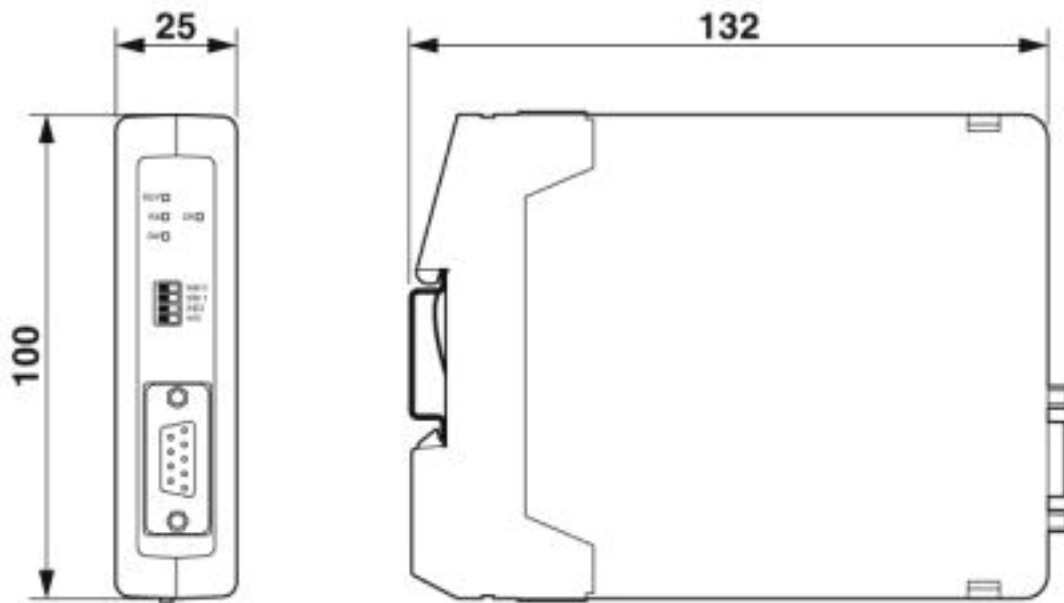
Technical data

Environmental Product Compliance

	For details about hazardous substances go to tab "Downloads", Category "Manufacturer's declaration"
--	---

Drawings

Dimensional drawing



Classifications

eCl@ss

eCl@ss 5.0	27242200
eCl@ss 5.1	27242200
eCl@ss 6.0	27242600
eCl@ss 7.0	27242608
eCl@ss 8.0	27242608
eCl@ss 9.0	27242608

ETIM

ETIM 5.0	EC001604
ETIM 6.0	EC001604
ETIM 7.0	EC001604

UNSPSC

UNSPSC 13.2	32151602
UNSPSC 18.0	32151602
UNSPSC 19.0	32151602

Repeater - FB-DP-RPTR - 2316373

Classifications

UNSPSC

UNSPSC 20.0	32151602
UNSPSC 21.0	32151602

Approvals

Approvals

Approvals

UL Listed / cUL Listed / cULus Listed

Ex Approvals

Approval details

UL Listed		http://database.ul.com/cgi-bin/XYV/template/LISEXT/1FRAME/index.htm	FILE E 238705
-----------	--	---	---------------

cUL Listed		http://database.ul.com/cgi-bin/XYV/template/LISEXT/1FRAME/index.htm	FILE E 238705
------------	--	---	---------------

cULus Listed			
--------------	--	--	--
