

Park position - EV-T1AC-PARK - 1624139

Please be informed that the data shown in this PDF Document is generated from our Online Catalog. Please find the complete data in the user's documentation. Our General Terms of Use for Downloads are valid (<http://phoenixcontact.com/download>)



Retainer for Vehicle Connector as parking position at charging stations (EVSE), Type 1, SAE J1772, Front mounting


Product Description

Retainer for Vehicle Connector as parking position at charging stations for E-Mobility (EVSE)

Your advantages

- Certified in accordance with IATF 16949:2016 and ISO 9001:2015

Key Commercial Data

Packing unit	1 pc
GTIN	 4 055626 241555
GTIN	4055626241555
Weight per Piece (excluding packing)	72.000 g
Custom tariff number	39269097
Country of origin	Germany
Note	Made to Order (non-returnable)

Technical data

Product definition

Product type	Retainer for Vehicle Connector as parking position at charging stations (EVSE)
Standards/regulations	SAE J1772
Charging standard	Type 1
Charging mode	Mode 3

Dimensions

Height	75 mm
Width	75 mm
Depth	37.5 mm

Park position - EV-T1AC-PARK - 1624139

Technical data

Dimensions

Bore dimensions	60 mm x 60 mm
-----------------	---------------

Ambient conditions

Ambient temperature (operation)	-30 °C ... 50 °C
Ambient temperature (storage/transport)	-40 °C ... 80 °C
Degree of protection	IP54

Mechanical properties

Vehicle Connector fixing	With actuation lever
Removal of the Vehicle Connector	Lever actuation and removal

Mounting

Possible mounting positions	Front mounting
Restrictions to mounting position	Only 0 to 45 degree frontal inclination possible, see figure
Mounting hole diameter	6.00 mm (\varnothing)

Design

Housing color	black
Customer variations	On request

Material

Material	Plastic
Flammability rating	V0

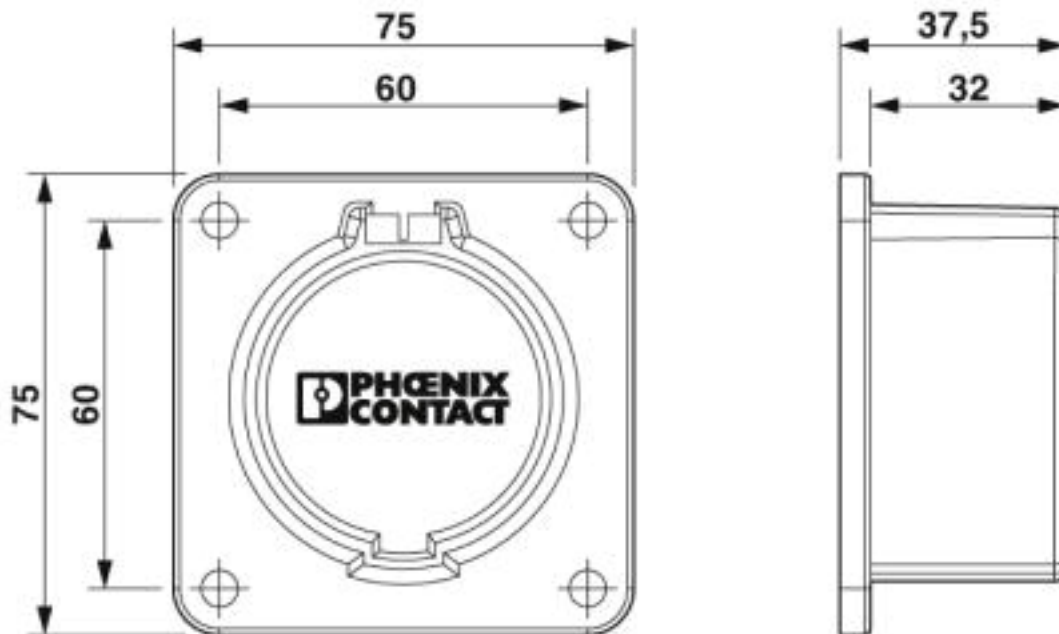
Environmental Product Compliance

China RoHS	Environmentally friendly use period: unlimited = EFUP-e
	No hazardous substances above threshold values

Drawings

Park position - EV-T1AC-PARK - 1624139

Dimensional drawing



Dimensional drawing

Classifications

eCl@ss

eCl@ss 10.0.1	27144792
eCl@ss 4.0	27140800
eCl@ss 4.1	27140800
eCl@ss 5.0	27143400
eCl@ss 5.1	27143400
eCl@ss 6.0	27143400
eCl@ss 7.0	27449001
eCl@ss 8.0	27449001
eCl@ss 9.0	27144792

ETIM

ETIM 2.0	EC000241
ETIM 3.0	EC002061
ETIM 4.0	EC002061
ETIM 5.0	EC002839
ETIM 6.0	EC002884
ETIM 7.0	EC002884

UNSPSC

UNSPSC 6.01	30211923
-------------	----------

Park position - EV-T1AC-PARK - 1624139

Classifications

UNSPSC

UNSPSC 7.0901	39121522
UNSPSC 11	39121522
UNSPSC 12.01	39121522
UNSPSC 13.2	39121522
UNSPSC 18.0	39121522
UNSPSC 19.0	39121522
UNSPSC 20.0	39121522
UNSPSC 21.0	39121522