

Enquiry N°: 1858

Created by: DB / Checked by: WT

### SERVO MOTOR - 089UDB306BFCAA

**089UDB306BFCAA**



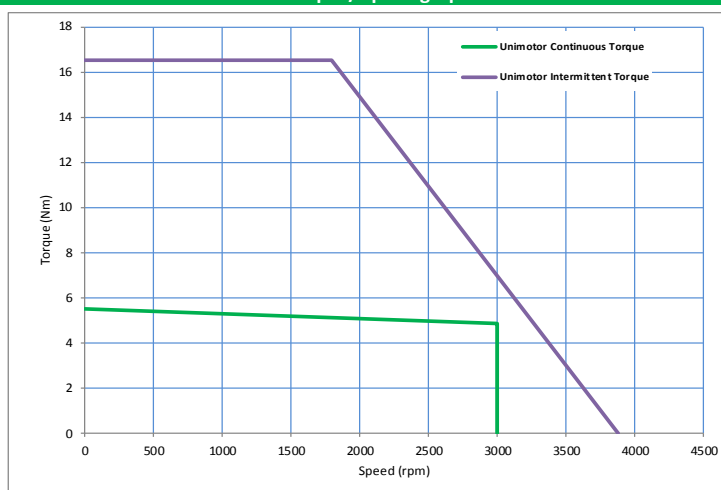
#### Definition

Type	Unimotor HD	
Frame Size (mm)	<b>089</b>	
Voltage	<b>U</b>	400 V
Magnet type	<b>D</b>	High Dynamic
Frame Length	<b>B</b>	
Speed (min <sup>-1</sup> )	<b>30</b>	3000
Brake	<b>6</b>	Braked
Connection type	<b>B</b>	Power and Signal 90° rotatable (Size 1)
Output shaft	<b>F</b>	Half key and full key supplied in bag
Feedback device code	<b>CA</b>	4096 ppr Incremental encoder (CFS50)
Inertia & thermistor	<b>A</b>	Standard inertia + PTC thermistor
PCD	<b>100</b>	100 (FF 100 / 80)
Shaft Diameter	<b>190</b>	19j6 x 40.0
Fan Box	-	
Insulation class	<b>F</b>	
UL Motor / UL Stator	<b>UL Stator</b>	

#### Nominal characteristics

Motor Ambient Temperature (°C)	40	Drive Fsw (kHz)	12
Motor Stall Torque (N.m)	5.5	Stall Current (A)	3.44
Rated Torque (N.m)	4.85	Nominal Current (A)	3.03
Motor Peak Torque (N.m)	16.5	Kt (Nm/A)	1.6
Rated Power (kW)	1.52	Ke (V/kmin <sup>-1</sup> )	98.0
Winding Thermal Time Constant (s)	93	R (ph-ph) (Ohm)	5.05
Number of Poles	10	L (ph-ph) (mH)	38.40
Maximum Cogging (N.m)	0.08		
Inertia (kg.cm <sup>2</sup> )	1.91	Weight (kg)	5.4
Ingress Protection Level (IP)	IP65		
Brake	Type 6	Static Torque (N.m)	10
Release Time (ms)	82	Backlash (°)	0.45
Brake Supply Voltage (V)	24	Brake Coil Power (W)	18.5

#### Torque / speed graph

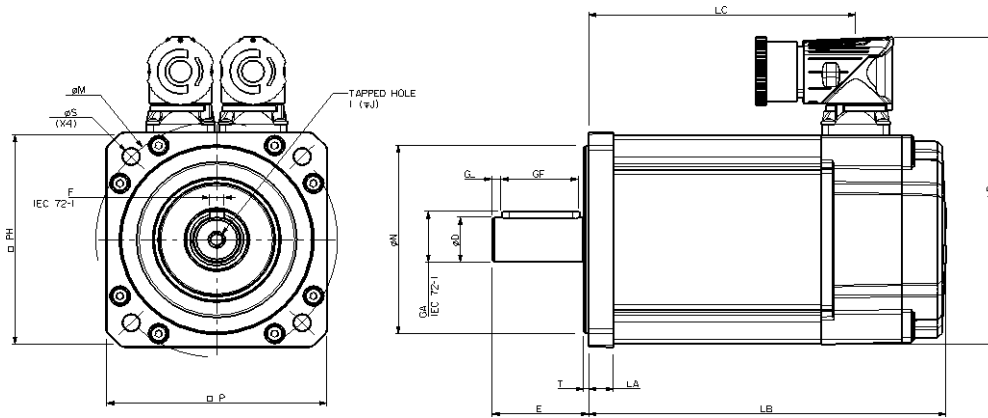


Enquiry N°: 1858

Created by: DB / Checked by: WT

SERVO MOTOR - 089UDB306BFCAA

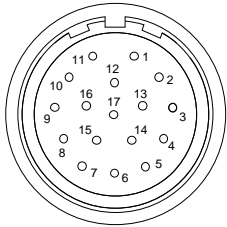
Motors (° & mm)



LB	Total length	230.9
LC	Connector position	180.6
LA	Flange thickness	10.3
T	Register Length	2.2
N	Register Diameter	80.0
LD	Connector overall height	130.5
P	Flange Square	91.0
S	Fixing Hole Diameter	7.0
M	Fixing hole PCD	100.0
PH	Motor Housing Width	89.0
D	Shaft Diameter	19j6
E	Shaft Length	40.0
GA	Key Height	21.5
GF	Key Length	32.0
G	Key to Shaft End	3.7
F	Key Width	6.0
I	Tapped Hole Thread Size	M6 x 1.0
J	Tapped Hole Depth	17.0
	Mounting Bolt	M6

Motor electrical interface Connectors option:

Feedback device code: CA - 4096 ppr Incremental encoder (CFS50)



- |                |            |
|----------------|------------|
| 1 - Thermistor | 10 - A     |
| 2 - Thermistor | 11 - Z     |
| 3 - -          | 12 - Z/    |
| 4 - U          | 13 - A/    |
| 5 - U/         | 14 - B     |
| 6 - V          | 15 - B/    |
| 7 - V/         | 16 - Power |
| 8 - W          | 17 - 0 V   |
| 9 - W/         | Screen     |

Connection type: B - Power and Signal 90° rotatable (Size 1)

