

BU-1420701841**(PCB Edge Mount SMA Jack with Rectangular Contact)**

- End launch mounting
- Designed to mount on .039" (1.00 mm) Circuit Boards.
- Impedance: 50 Ω
- Frequency: DC to 18 Ghz.
- Working Voltage: 335 VRMS Max
- Dielectric Withstand: 1000 VRMS
- Contact Resistance: 3 milliohms
- Mating Cycles: 500 Minimum
- RoHS 3 compliant

8 7 6 5 4 3 2 1

D

D

C

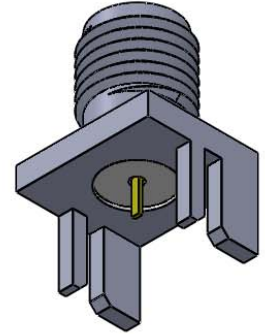
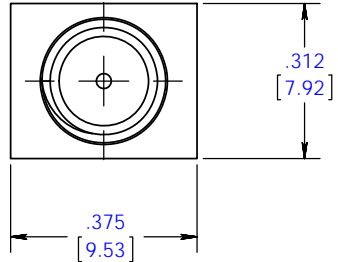
C

B

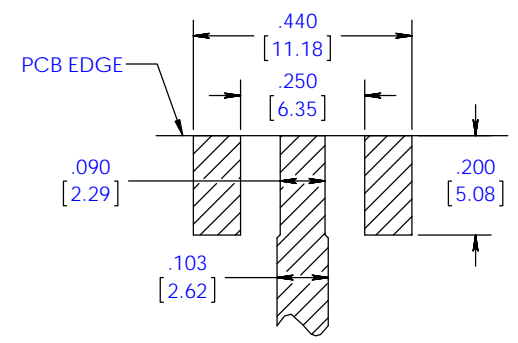
B

A

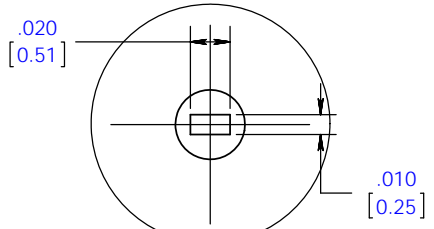
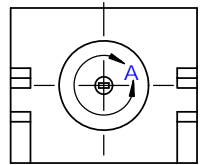
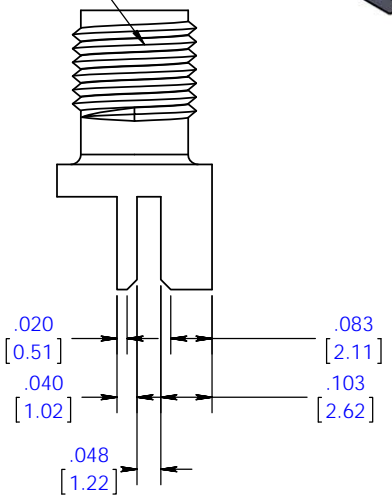
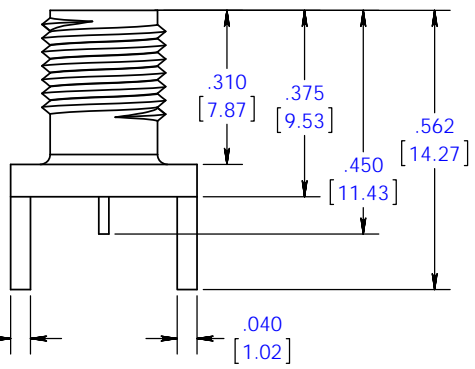
A



RECOMMENDED PAD FOOTPRINT



1/4-36 UNS-2A



DETAIL A
SCALE 16 : 1

NOTES:

- 1) Material:
 Body - Brass
 Gold PL. .00001 min over
 Nickel PL. .00005 min over
 Copper PL. .00005 min.
 Contact - Beryllium Copper
 Gold PL. .00003 min over
 Nickel PL. .00005 min over
 Copper PL. .00005 min.
 Insulator - PTFE (Teflon)
- 2) Electrical Specifications
 Impedance : 50 Ohms
 VSWR : 1.35 @ 10Ghz. LMR-100
 Contact Resistance : 3 milliohms
 Frequency : 0 to 18 GHz
 Working Voltage : 335 VRMS Maximum
 Dielectric Withstand : 1000 VRMS
 Insulator Resistance : 5 megaohms
 Insertion loss : .18 dB Maximum
- 3) Max Torque: 10 inch-pounds (1.1 Nm)
- 4) Mating Cycles: 500 Minimum
- 6) Temperature Range: -65 °C To +165 °C

PROPRIETARY AND CONFIDENTIAL
 THE INFORMATION CONTAINED IN THIS DRAWING IS THE SOLE PROPERTY OF MUELLER ELECTRIC COMPANY. ANY REPRODUCTION IN PART OR AS A WHOLE WITHOUT THE WRITTEN PERMISSION OF MUELLER ELECTRIC COMPANY IS PROHIBITED.

UNLESS OTHERWISE SPECIFIED:		NAME	DATE	MUELLER ELECTRIC
DIMENSIONS ARE IN: INCHES/MM		DRAWN	12/12/18	
TOLERANCES:		CHECKED		TITLE:
ANGULAR: ±1 DEGREE		ENG APPR.		PCB Edge Mount SMA 50 Ohm Receptacle
TWO PLACE DECIMAL ±.015		MFG APPR.		
THREE PLACE DECIMAL ±.005		Q.A.		SIZE
THIRD ANGLE PROJECTION		COMMENTS:		B
MATERIAL				DWG. NO.
See Notes				BU-1420701841
FINISH				REV
STANDARD				A
DO NOT SCALE DRAWING				SCALE: 4:1
				SHEET 1 OF 1

8 7 6 5 4 3 2 1