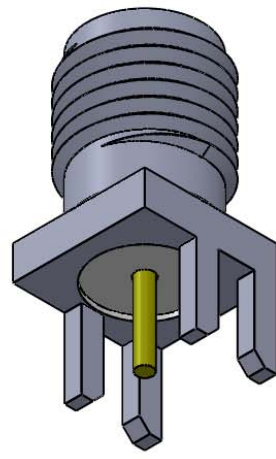
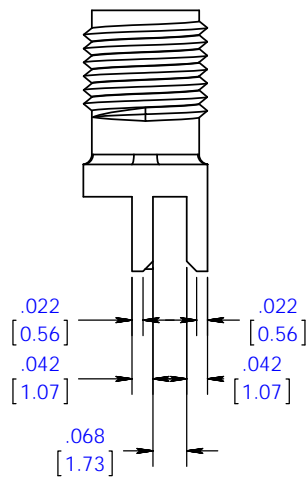
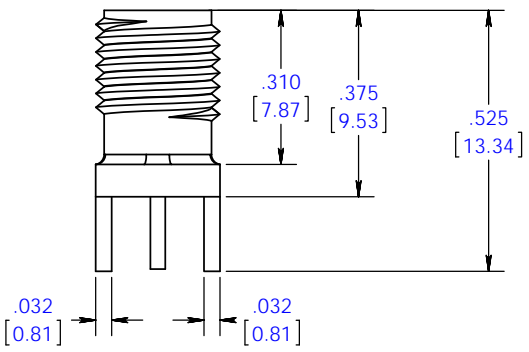
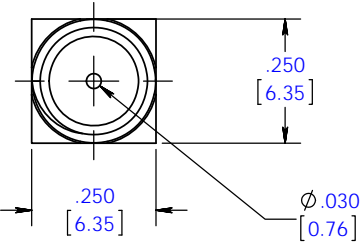


**BU-1420711821****(PCB Edge Mount SMA Jack with Round Contact)**

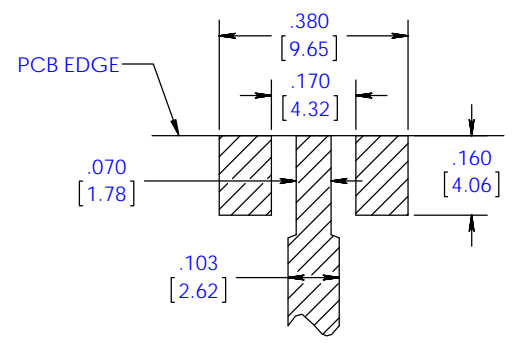
- End launch mounting
- Designed to mount on .063" (1.57 mm) Circuit Boards.
- Impedance: 50  $\Omega$
- Frequency: DC to 18 Ghz.
- Working Voltage: 335 VRMS Max
- Dielectric Withstand: 1000 VRMS
- Contact Resistance: 3 milliohms
- Mating Cycles: 500 Minimum
- RoHS 3 compliant

8 7 6 5 4 3 2 1

D



**RECOMMENDED PAD FOOTPRINT**

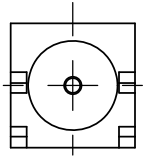


C

C

B

B



A

A

8 7 6 5 4 3 2 1

**PROPRIETARY AND CONFIDENTIAL**  
 THE INFORMATION CONTAINED IN THIS DRAWING IS THE SOLE PROPERTY OF MUELLER ELECTRIC COMPANY. ANY REPRODUCTION IN PART OR AS A WHOLE WITHOUT THE WRITTEN PERMISSION OF MUELLER ELECTRIC COMPANY IS PROHIBITED.

UNLESS OTHERWISE SPECIFIED:	NAME	DATE
DIMENSIONS ARE IN: INCHES/MM	DRAWN	RCM 12/12/18
TOLERANCES: ANGULAR: ±1 DEGREE TWO PLACE DECIMAL ±.015 THREE PLACE DECIMAL ±.005	CHECKED	
THIRD ANGLE PROJECTION	ENG APPR.	
MATERIAL See Notes	MFG APPR.	
FINISH STANDARD	Q.A.	
DO NOT SCALE DRAWING	COMMENTS:	

<b>MUELLER ELECTRIC</b>		
TITLE: <b>PCB Edge Mount SMA 50 Ohm Receptacle</b>		
SIZE <b>B</b>	DWG. NO. BU-1420711821	REV <b>A</b>
SCALE: 4:1	SHEET 1 OF 1	