

Analog Servo Motor, 6V, 180° **multicomp** PRO

**RoHS
Compliant**



Apply Environmental Condition

Storage Temperature Range : -30°C to 80°C
Operating Temperature Range : -15°C to 70°C

Standard Test Environment

Temperature Range : 25°C ±5°C
Humidity Range : 65%±10%

Mechanical Specification

Size : 22.5mm 12.1mm 22.4mm
Weight : 9g
Gear type : Plastic Gear
Limit angle : 180°
Bearing : No Ball bearings
Horn gear spline : 21T (4.86)
Horn type : Plastic, POM
Case : ABS
Connector wire : 250mm ±5mm
Motor : Metal brush motor
Splash water resistance : No

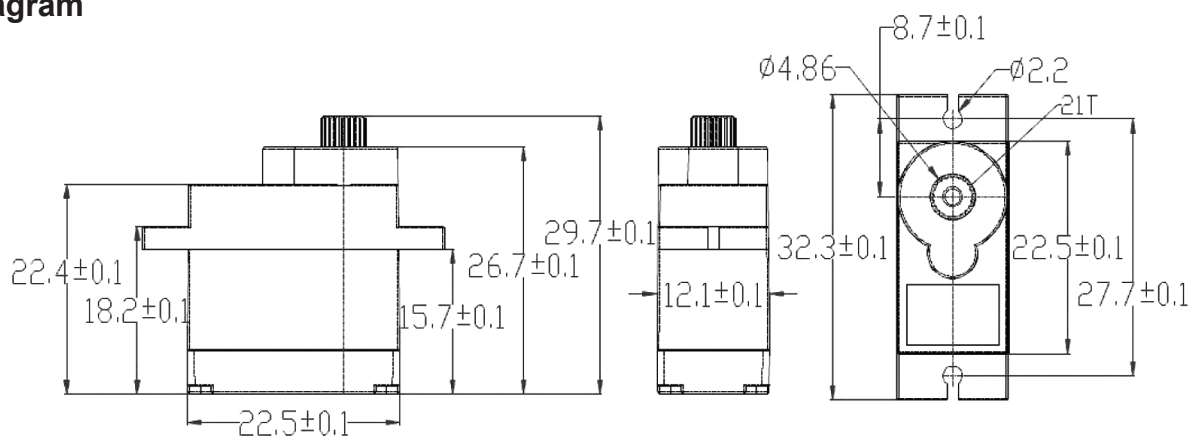
Electrical Specification (Function of the Performance)

Operating Voltage Range	4.8V	6V
Idle current (at stopped)	5mA	6mA
No load speed	0.12sec/60°	0.1 sec/60°
Runnig current(at no load)	100 mA	120 mA
Peak stall torque	1.3kg.cm	1.5kg.cm
	18.09oz.in	20.86oz.in
Stall current	700mA	800mA

Analog Servo Motor, 6V, 180° **multicomp** PRO

Command Signal	: Pulse width modification
Amplifier type	: Analog comparator
Pulse width range	: 900µsec to 2100µsec
Neutral position	: 1500µsec
Running degree	: 120° (on pulse 900µsec to 2100µsec) 180° (on pulse 500µsec to 2500µsec)
Dead band width	: 8µsec
Rotating direction	: CW(WHEN 1500 TO 900µsec) CCW(WHEN 1500 TO 2100µsec)

Diagram



Dimensions : Millimetres

Part Number Table

Description	Part Number
Analog Servo Motor, 6V, 180°	MP-708-0001

Important Notice : This data sheet and its contents (the "Information") belong to the members of the AVNET group of companies (the "Group") or are licensed to it. No licence is granted for the use of it other than for information purposes in connection with the products to which it relates. No licence of any intellectual property rights is granted. The Information is subject to change without notice and replaces all data sheets previously supplied. The Information supplied is believed to be accurate but the Group assumes no responsibility for its accuracy or completeness, any error in or omission from it or for any use made of it. Users of this data sheet should check for themselves the Information and the suitability of the products for their purpose and not make any assumptions based on information included or omitted. Liability for loss or damage resulting from any reliance on the Information or use of it (including liability resulting from negligence or where the Group was aware of the possibility of such loss or damage arising) is excluded. This will not operate to limit or restrict the Group's liability for death or personal injury resulting from its negligence. Multicomp Pro is the registered trademark of Premier Farnell Limited 2019.

Newark.com/multicomp-pro
Farnell.com/multicomp-pro
Element14.com/multicomp-pro

multicomp PRO