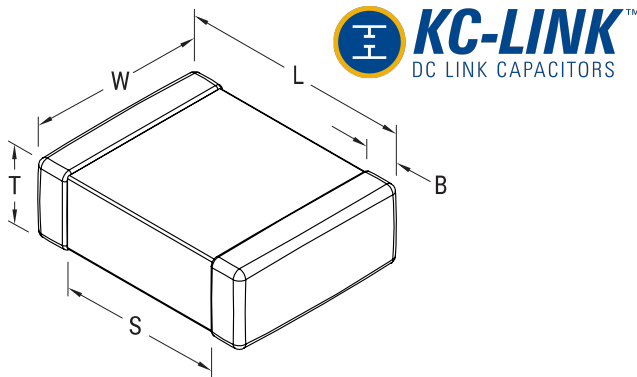


KC Link Auto C0G, Ceramic, DC Link. 0.033 uF, 5%, 1000V, C0G, SMD, MLCC. High Voltage. Ultra-Stable, Low Loss, 2220



General Information	
Supplier:	KEMET
Series:	KC Link Auto C0G
Style:	SMD Chip
Description:	SMD, MLCC, High Voltage, Ultra-Stable, Low Loss
Features:	Ultra-Stable, Low Loss
RoHS:	Yes
Termination:	Tin
Failure Rate:	N/A
Chip Size:	2220

Dimensions	
L	5.70 ± 0.40 mm
W	5.00 ± 0.40 mm
T	2.50 ± 0.20 mm
B	0.6 ± 0.35 mm

Packaging Specifications	
Packaging:	T&R, 180mm, Plastic Tape
Packaging Quantity:	500

Specifications	
Capacitance:	0.033 uF
Capacitance Tolerance:	5%
Voltage DC:	1000 VDC
Dielectric Withstanding Voltage:	1200 V
Temperature Range:	-55/+150C
Temperature Coefficient:	C0G
Dissipation Factor:	0.10% 1kHz 25C
Aging Rate:	0% Loss/Decade Hour
Insulation Resistance:	30.303 Gohms

Rev. 6/6/18