



# Series 627W/628W: Waterproof Power Combo D-SUB Connector Plug and Receptacle, Vertical

## Features:

- Signal, along with Power Contacts Within One Connector
- Space Saving on the PCB and I/O Designs
- Available in Various Pin Out Configurations
- Pin and Socket Contact Mating Design with P.C. Tail and Solder Cup Termination
- Metal Shell Provides EMI/RFI Shielding, Plug Shell Indents provide Grounding and Additional Mating Retention
- Mounting Options include Threaded Hole with (#4-40UNC,M3), with or without boardlocks
- D-Shaped Connector Mating Outline provides Polarization



## Specifications:

	Power Only	Combination
Insulator Material	PBT+30% GF, UL 94V-0, Color: Black	
Contact Material and Plating	Copper Alloy	
Contact Plating	Selective Gold (See Ordering Code) over Nickel	
Shell Material and Plating	Steel with Ni Plating	
Waterproof frame Material	PBT+GF, UL 94V-0, Color: Black	
Sealing compound	Epoxy	
O-ring Material	Silicone	
Current Rating (Power Contacts)	10A, 20A, 30A, 40A	
Current Rating (Signal Contacts)		5A
Voltage Rating	125V	
Contact Resistance (Power Contacts)	1 Milliohms MAX.	
Contact Resistance (Signal Contacts)		10 Milliohms MAX
Insulation Resistance	5000 Megaohms MIN.	
Dielectric Voltage	1000V AC rms at Sea Level	
Operating Temp.	-25°C To +85°C	
Mating Cycle	500 For 30 Microinches Gold Plating, 50 For Gold Flash Plating	

## Ordering Code:

**627W2W2-222-1N2**

SERIES: \_\_\_\_\_  
627: PLUG (PIN)  
628: RECEPTACLE (SOCKET)

CONNECTOR TYPE: \_\_\_\_\_  
W - WATERPROOF

LAYOUT: \_\_\_\_\_

	POWER/CO-AX ONLY		COMBINATION			
SIZE 9 CONTACT SHELL	2W2	2WK2	5W1			
SIZE 15 CONTACT SHELL	3W3	3WK3	7W2	11W1		
SIZE 25 CONTACT SHELL	5W5		9W4	13W3	17W2	21W1

8W8

└── TOTAL NO.OF POWER  
└── TOTAL NO.OF CONTACT

2WK2

└── MALE FEMALE COMBINATION

CONTACT PLATING THICKNESS: \_\_\_\_\_  
2 - GOLD FLASH PLATING  
6 - 30 MICROINCHES OF GOLD PLATING

TAIL TYPE: \_\_\_\_\_  
22 - SOLDER CUP  
24 - PC TAIL

### MOUNTING OPTIONS:

- 2 - #4-40 UNC THREADED HOLE 2.70
- 5 - #4-40 UNC THREADED HOLE WITH BOARDLOCKS
- A - M3 THREADED HOLE 2.70
- D - M3 THREADED HOLE WITH BOARDLOCKS

### SHELL PLATING:

- N - NICKEL
- T - TIN

### RATING:

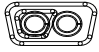
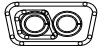
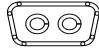


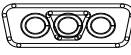
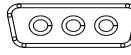







- CURRENT RATING:
- 1 - 10A
- 2 - 20A
- 3 - 30A
- 4 - 40A



# Series 627W/628W: Waterproof Power Combo D-SUB Connector

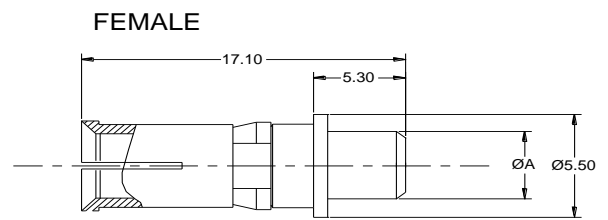
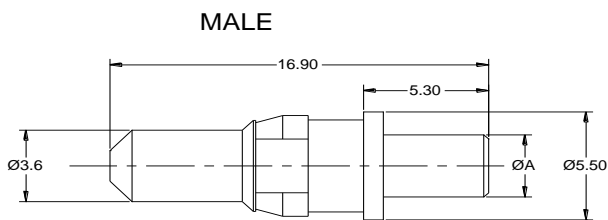
Plug and Receptacle, Vertical

## Layout:

SHELL SIZE	LAYOUT
1(E)	 2WK2(MALE)  2WK2(FEMALE)  2W2  5W1
2(A)	 3WK3(FEMALE)  3WK3(MALE)  3W3  7W2  11W1
3(B)	 5W5  9W4  13W3  17W2  21W1

## Straight PCB Power Contacts:

### STRAIGHT PCB SOLDER POWER CONTACTS



CURRENT RATING	DIMENSION (mm) ØA
10A	1.7
20A	2.8
30A	3.2
40A	3.75



# Series 627W/628W:

## Waterproof Power Combo D-SUB Connector

Plug and Receptacle, Vertical

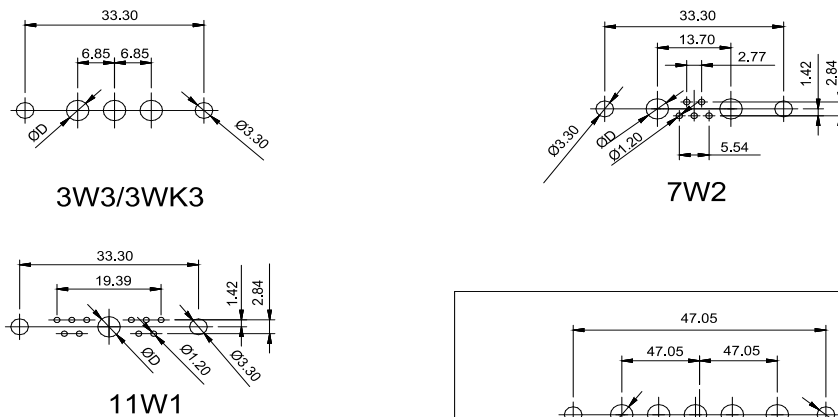
### Waterproof Power Combo D-Sub

Straight PCB solder Layout

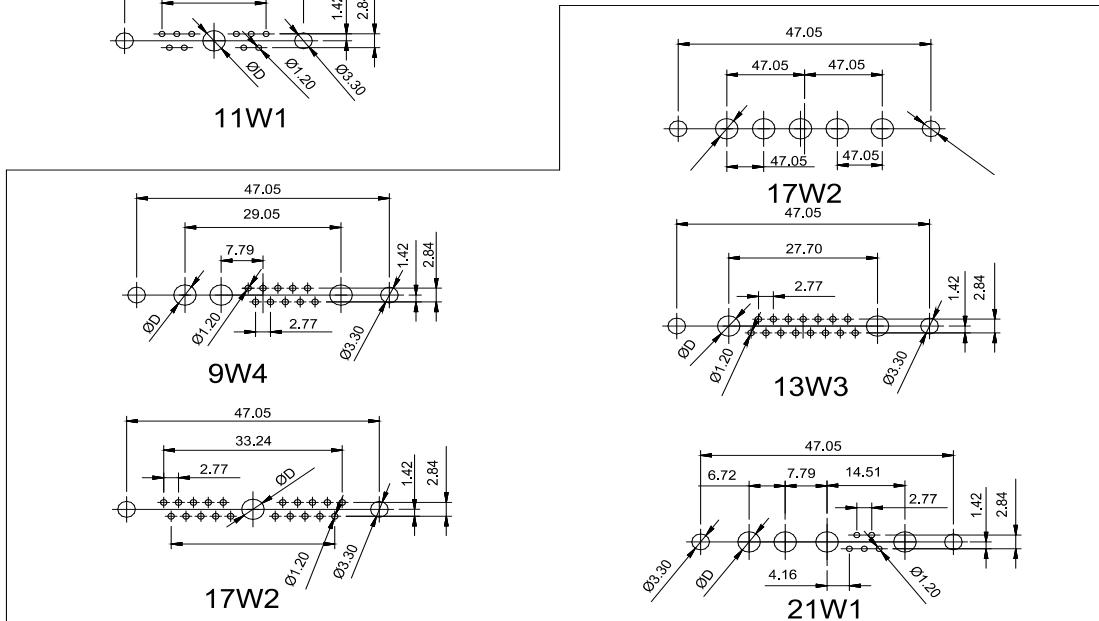
SHELL SIZE 1(E)



SHELL SIZE 2(A)



SHELL SIZE 3(B)



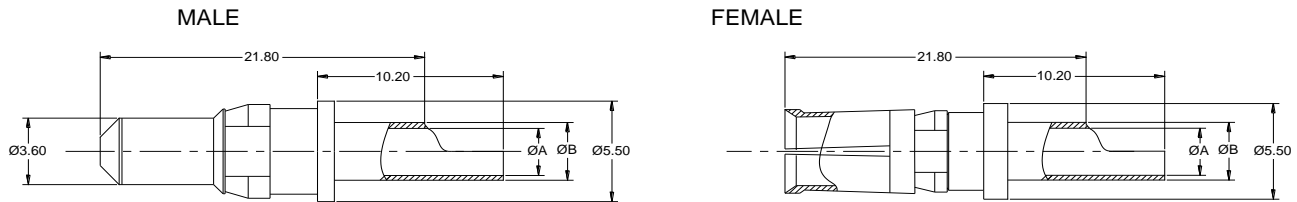
<b>Current Rating</b>	10A	20A	30A	40A
<b>D(mm)</b>	2.2	3.3	3.7	4.2



# Series 627W/628W: Waterproof Power Combo D-SUB Connector Plug and Receptacle, Vertical

## Solder Cup Power Contacts:

### SOLDER CUP POWER CONTACTS



CURRENT RATING	DIMENSION (mm) ØA	DIMENSION (mm) ØB
10A	1.7	2.5
20A	2.7	3.6
30A	3.5	4.4
40A	4.6	5.5

## Mouting options:

<p>#4-40 UNC THREADED HOLE</p> <p>CODE: 2</p>	<p>#4-40 UNC THREADED HOLE WITH BOARDLOCKS</p> <p>CODE: 5</p>
<p>M3 THREADED HOLE</p> <p>CODE: A</p>	<p>M3 THREADED HOLE WITH BOARDLOCKS</p> <p>CODE: D</p>



# Series 629W/630W: Waterproof Power Combo D-SUB Connector Plug and Receptacle, Right Angle



## Features:

- Signal, along with Power Contacts Within One Connector
- Space Saving on the PCB and I/O Designs
- Available in Various Pin Out Configurations
- Pin and Socket Contact Mating Design with P.C. Tail and Solder Cup Termination
- Metal Shell Provides EMI/RFI Shielding, Plug Shell Indents provide Grounding and Additional Mating Retention
- Mounting Options include Threaded Hole with (#4-40UNC,M3), with or without boardlocks
- D-Shaped Connector Mating Outline provides Polarization



## Specifications:

	Power Only	Combination
Insulator Material	PBT+30% GF, UL 94V-0, Color: Black	
Contact Material and Plating	Copper Alloy	
Contact Plating	Selective Gold (See Ordering Code) over Nickel	
Shell Material and Plating	Steel with Ni Plating	
Waterproof frame Material	PBT+GF, UL 94V-0, Color: Black	
Sealing compound	Epoxy	
O-ring Material	Silicone	
Current Rating (Power Contacts)	10A, 20A, 30A, 40A	
Current Rating (Signal Contacts)		5A
Voltage Rating	125V	
Contact Resistance (Power Contacts)	1 Milliohms MAX.	
Contact Resistance (Signal Contacts)		10 Milliohms MAX
Insulation Resistance	5000 Megaohms MIN.	
Dielectric Voltage	1000V AC rms at Sea Level	
Operating Temp.	-25°C To +85°C	
Mating Cycle	500 For 30 Microinches Gold Plating, 50 For Gold Flash Plating	

## Ordering Code:

**629W2W2-240-1N2**

SERIES: \_\_\_\_\_  
629: PLUG (PIN)  
630: RECEPTACLE (SOCKET)

CONNECTOR TYPE: \_\_\_\_\_  
W - WATERPROOF

LAYOUT: \_\_\_\_\_

	POWER/CO-AX ONLY		COMBINATION			
	2W2	2WK2	5W1			
SIZE 9 CONTACT SHELL						
SIZE 15 CONTACT SHELL	3W3	3WK3	7W2	11W1		
SIZE 25 CONTACT SHELL	5W5		9W4	13W3	17W2	21W1

8W8 TOTAL NO. OF POWER CONTACT  
TOTAL NO. OF CONTACT

2WK2 MALE FEMALE COMBINATION

CONTACT PLATING THICKNESS: \_\_\_\_\_  
2 - GOLD FLASH PLATING  
6 - 30 MICROINCHES OF GOLD PLATING

TAIL TYPE: \_\_\_\_\_  
40 - PC TAIL

MOUNTING OPTIONS:  
2 - #4-40 UNC THREADED RIVET  
3 - #4-40 UNC THREADED RIVET WITH BOARDLOCKS  
4 - #4-40 UNC THREADED RIVET WITH BOARD MOUNT  
A - M3 THREADED RIVET  
B - M3 THREADED RIVET WITH BOARDLOCKS  
C - M3 THREADED RIVET WITH BOARD MOUNT

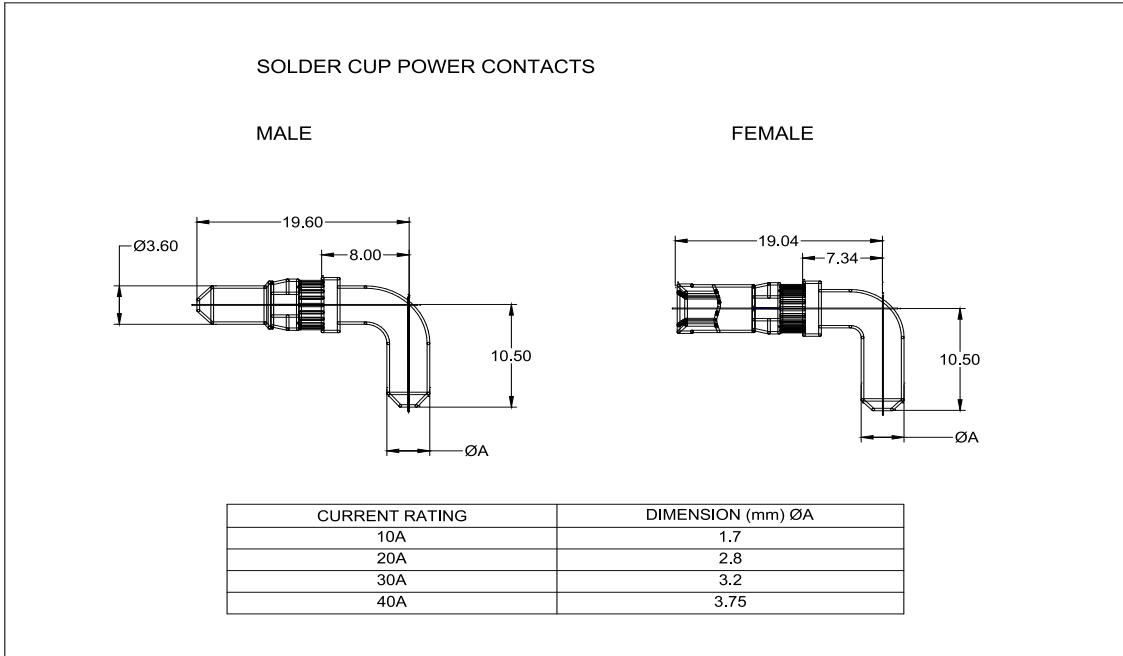
SHELL PLATING:  
N - NICKEL  
T - TIN

RATING:  
CURRENT RATING:  
1 - 10A  
2 - 20A  
3 - 30A  
4 - 40A



# Series 629W/630W: Waterproof Power Combo D-SUB Connector Plug and Receptacle, Right Angle

## R/A PCB Solder Power Contacts:



## Mouting options:

<p>#4-40 UNC THREADED RIVIT</p> <p>CODE: 2</p>	<p>#4-40 UNC THREADED RIVIT WITH BOARDLOCKS</p> <p>CODE: 3</p>	<p>#4-40 UNC THREADED RIVIT WITH BOARDMOUNT</p> <p>CODE: 4</p>
<p>M3 THREADED RIVIT</p> <p>CODE: A</p>	<p>M3 THREADED RIVIT WITH BOARDLOCKS</p> <p>CODE: B</p>	<p>M3 THREADED RIVIT WITH BOARDMOUNT</p> <p>CODE: C</p>



Series 629W/630W:

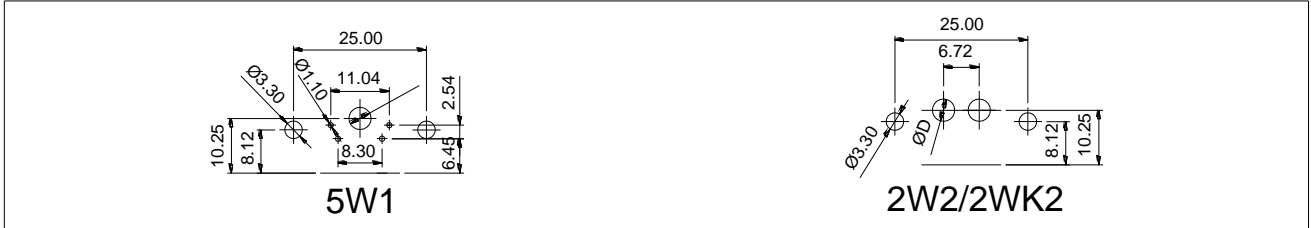
**Waterproof Power Combo D-SUB Connector**

Plug and Receptacle, Right Angle

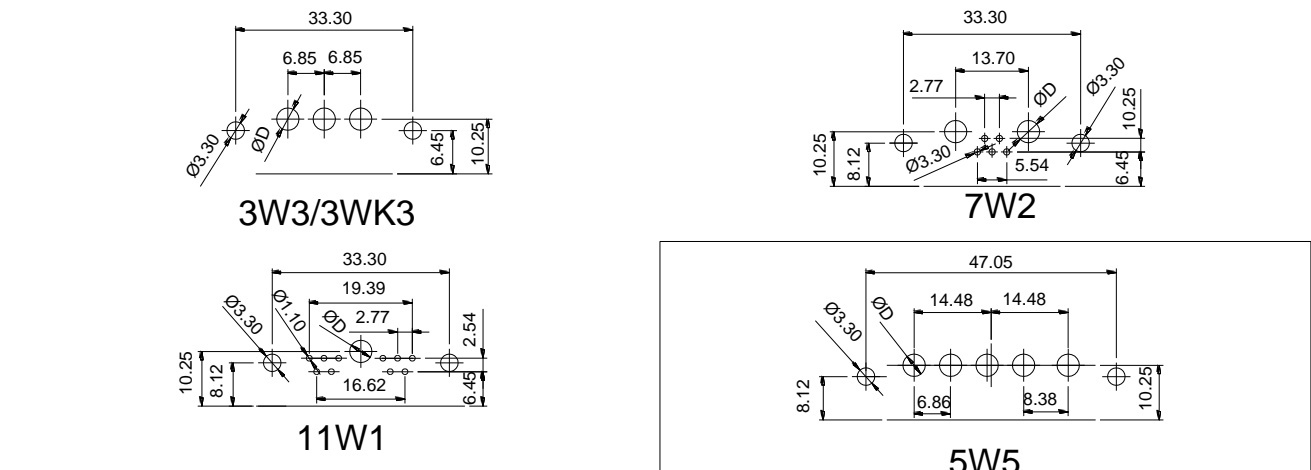
**WATERPROOF POWER COMBO D-SUB**

RIGHT ANGLE PCB SOLDER LAYOUT

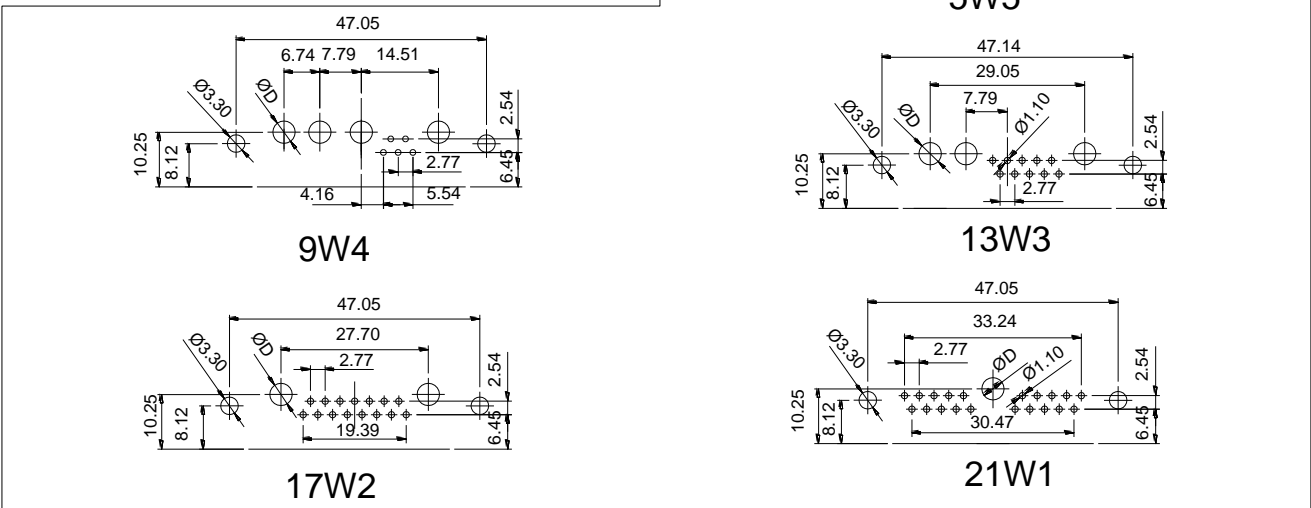
SHELL SIZE 1(E)



SHELL SIZE 2(A)



SHELL SIZE 3(B)



<b>Current Rating</b>	10A	20A	30A	40A
<b>D(mm)</b>	2.2	3.3	3.7	4.2