

Data sheet Actuator.

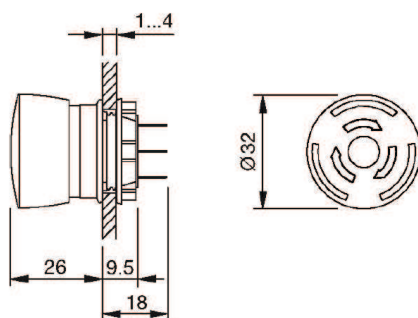
Part No.: 84-5231.2B20

Technical data

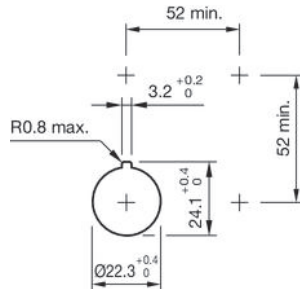


Terminal	Plug-in terminal
Illuminative colour	Red
LED operating voltage	5 - 30 V DC
LED Operation current	9,7 - 12,4 mA
Lens illumination	illuminative
Lens colour	Red
Lens shape	mushroom-head
Lens material	Plastic
Lens optics	opaque
Housing colour	Yellow
Housing material	Plastic
Weight	0.028 kg
Contacts normally open	1 NO
Contacts normally close	1 NC
Contact material	Gold-plated silver
Illumination colour	Red
Material	Plastic
Switching action	Maintained
Max switching voltage / Current	250 V / 5A
Switching system	Slow-make switching element
Hints	
	<ul style="list-style-type: none"> ▪ Twist to unlock clockwise ▪ Luminosity and wave length variations caused by LED manufacturing processes may cause slight differences regarding the illumination. ▪ Foolproof according to EN IEC 60947-5-5 ▪ Lens colour Red
Product attributes	
	<ul style="list-style-type: none"> ▪ Switching position ring black

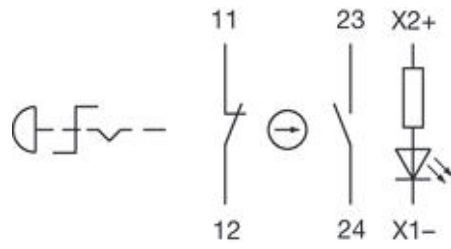
Dimensions



Mounting cut-outs



Wiring diagrams



Component layouts

