

# Data sheet Actuator.

## Part No.: 84-5331.2B20

### Technical data



Terminal	Plug-in terminal
Illuminative colour	Red
Operating voltage (LED)	5 - 30 V DC
Operation current (LED)	9,7 - 12,4 mA
Lens illumination	illuminative
Lens colour	Red
Lens shape	mushroom-head
Lens material	Plastic
Lens optics	opaque
Housing colour	Yellow
Housing material	Plastic
Weight	0.028 kg
Contacts normally open	1 NO
Contacts normally close	1 NC
Contact material	Gold-plated silver
Illumination colour	Red
Material	Plastic
Switching action	Maintained
Switching voltage	250 V
Switching system	Slow-make switching element

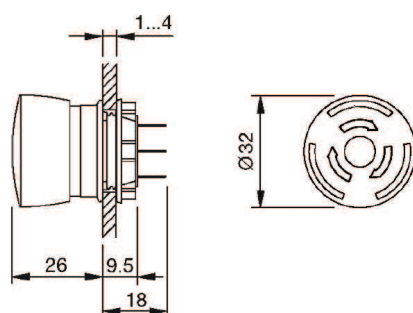
#### Hints

- Twist to unlock clockwise
- Luminosity and wave length variations caused by LED manufacturing processes may cause slight differences regarding the illumination.
- Foolproof according to EN IEC 60947-5-5
- Lens colour Red

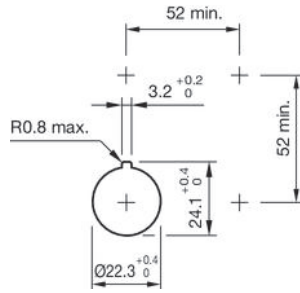
#### Product attributes

- Switching position ring green

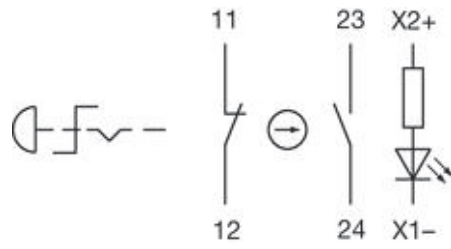
### Dimensions



## Mounting cut-outs



## Wiring diagrams



## Component layouts

