

NO: RL-175  
DATE: December 2019

PRODUCT: G3NA  
TYPE: Discontinuation Notice

## Discontinuation Notice of some G3NA models



Discontinuation date: March 2020  
Last Shipment date: June 2020

Please reference the specific part numbers listed for discontinuations.

### Product Discontinuation

Solid-state Relays

Model G3NA-205B(-UTU)  
Model G3NA-210B(-UTU)  
Model G3NA-220B(-UTU)  
Model G3NA-225B(-UTU)  
Model G3NA-240B(-UTU)  
Model G3NA-250B-UTU AC100-120  
Model G3NA-250B-UTU AC200-240  
Model G3NA-410B  
Model G3NA-420B  
Model G3NA-425B-2  
Model G3NA-440B-2  
Model G3NA-450B-2  
Model G3NA-D210B



### Recommended Replacement

Solid-state Relays

Model G3NA-205B-UTU  
Model G3NA-210B-UTU  
Model G3NA-220B-UTU  
Model G3NA-225B-UTU  
Model G3NA-240B-UTU  
Model G3NA-250B-UTU AC100-240  
Model G3NA-250B-UTU AC100-240  
Model G3NA-410B-UTU  
Model G3NA-420B-UTU  
Model G3NA-425B-UTU-2  
Model G3NA-440B-UTU-2  
Model G3NA-450B-UTU-2  
Model G3NA-D210B-UTU

### [Caution on recommended replacement]

Model G3NA-[]B(-UTU) AC100-120 Impedance of input rating is different.

Model G3NA-[]B(-UTU) AC200-240 Must operate voltage and Must release voltage of input rating are different.

**[Difference from discontinued product]**

Recommended replacement Model	Body Color	Dimensions	Wire connection	Mounting Dimensions	Characteristics	Operation ratings	Operation methods
G3NA-[]B-UTU(-2) DC5-24	**	**	**	**	**	**	**
G3NA-[]B-UTU(-2) AC100-240	**	**	**	**	*	*	**
G3NA-D210B-UTU	**	**	**	**	**	**	**

\*\* : Compatible

\* : The change is a little/Almost compatible

--: Not compatible


- : No corresponding specification

**[Product Discontinuation and recommended replacement]**

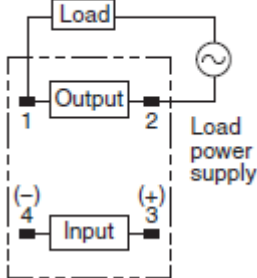
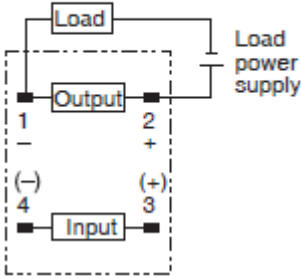
Product discontinuation	Recommended replacement
G3NA-205B AC100-120	G3NA-205B-UTU AC100-240
G3NA-205B AC200-240	G3NA-205B-UTU AC100-240
G3NA-205B DC5-24	G3NA-205B-UTU DC5-24
G3NA-205B-UTU AC100-120	G3NA-205B-UTU AC100-240
G3NA-205B-UTU AC200-240	G3NA-205B-UTU AC100-240
G3NA-210B AC100-120	G3NA-210B-UTU AC100-240
G3NA-210B AC200-240	G3NA-210B-UTU AC100-240
G3NA-210B DC5-24	G3NA-210B-UTU DC5-24
G3NA-210B-UTU AC100-120	G3NA-210B-UTU AC100-240
G3NA-210B-UTU AC200-240	G3NA-210B-UTU AC100-240
G3NA-220B AC100-120	G3NA-220B-UTU AC100-240
G3NA-220B AC200-240	G3NA-220B-UTU AC100-240
G3NA-220B DC5-24	G3NA-220B-UTU DC5-24
G3NA-220B-UTU AC100-120	G3NA-220B-UTU AC100-240
G3NA-220B-UTU AC200/240	G3NA-220B-UTU AC100-240
G3NA-225B AC100-120	G3NA-225B-UTU AC100-240
G3NA-225B AC200-240	G3NA-225B-UTU AC100-240
G3NA-225B DC5-24	G3NA-225B-UTU DC5-24
G3NA-225B-UTU AC100-120	G3NA-225B-UTU AC100-240
G3NA-225B-UTU AC200-240	G3NA-225B-UTU AC100-240
G3NA-240B AC100-120	G3NA-240B-UTU AC100-240
G3NA-240B AC200-240	G3NA-240B-UTU AC100-240
G3NA-240B DC5-24	G3NA-240B-UTU DC5-24
G3NA-240B-UTU AC100-120	G3NA-240B-UTU AC100-240
G3NA-240B-UTU AC200-240	G3NA-240B-UTU AC100-240
G3NA-250B-UTU AC100-120	G3NA-250B-UTU AC100-240
G3NA-250B-UTU AC200-240	G3NA-250B-UTU AC100-240
G3NA-410B AC100-240	G3NA-410B-UTU AC100-240
G3NA-410B DC5-24	G3NA-410B-UTU DC5-24
G3NA-420B AC100-240	G3NA-420B-UTU AC100-240
G3NA-420B DC5-24	G3NA-420B-UTU DC5-24
G3NA-425B-2 AC100-240	G3NA-425B-UTU-2 AC100-240
G3NA-425B-2 DC5-24	G3NA-425B-UTU-2 DC5-24
G3NA-440B-2 AC100-240	G3NA-440B-UTU-2 AC100-240
G3NA-440B-2 DC5-24	G3NA-440B-UTU-2 DC5-24
G3NA-450B-2 DC5-24	G3NA-450B-UTU-2 DC5-24

Product discontinuation	Recommended replacement
G3NA-D210B AC100-240	G3NA-D210B-UTU AC100-240
G3NA-D210B DC5-24	G3NA-D210B-UTU DC5-24

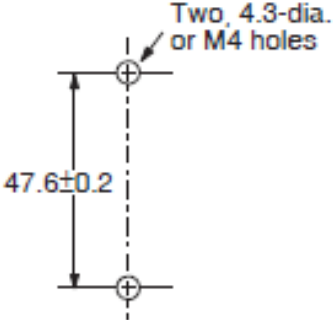
### [Body color]

Product discontinuation Model G3NA-(D)[]B(-2) Model G3NA-[]B-UTU some products	Recommendable replacement Model G3NA-(D)[]B-UTU(-2)
No change	
	

### [Wire connection]

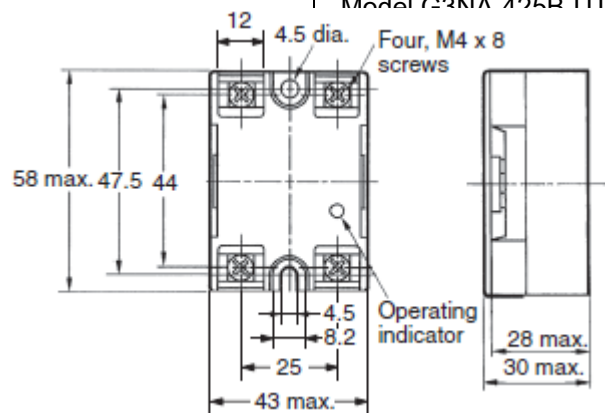
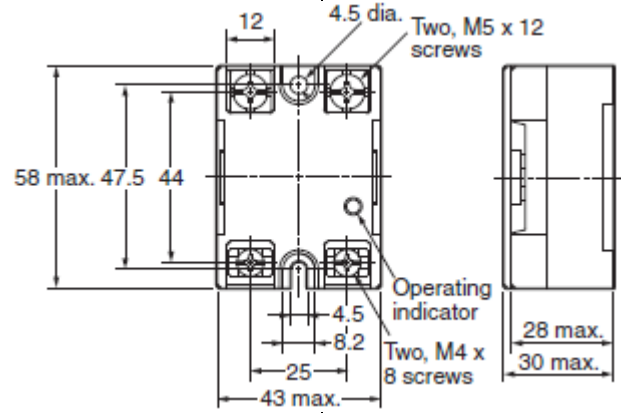
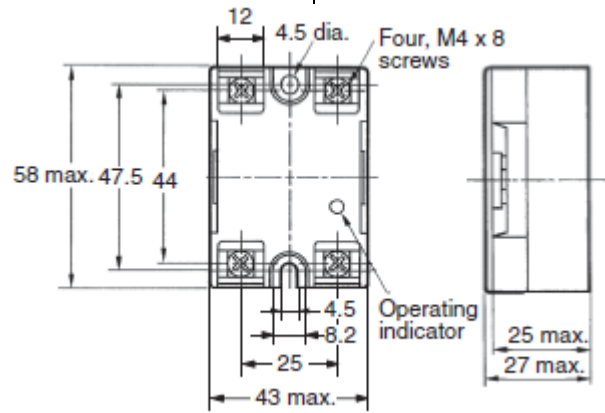
Product discontinuation Model G3NA-(D)[]B(-2) Model G3NA-[]B-UTU some products	Recommendable replacement Model G3NA-(D)[]B-UTU(-2)
No change	
<p><b>Terminal Arrangement/ Internal Connections (Top View)</b></p> 	<p><b>Terminal Arrangement/ Internal Connections (Top View)</b></p> 
G3NA-D210B(-UTU) only	

### [Mounting dimensions]

Product discontinuation Model G3NA-(D)[]B(-2) Model G3NA-[]B-UTU some products	Recommendable replacement Model G3NA-(D)[]B-UTU(-2)
No change	
	

**[Dimensions]**

<p><b>Product discontinuation</b>  <b>Model G3NA-(D)[B(-2)</b>  <b>Model G3NA-[B-UTU some products</b></p>	<p><b>Recommendable replacement</b>  <b>Model G3NA-(D)[B-UTU(-2)</b></p>
<p><b>No change</b>                      Model G3NA-205B(-UTU)                      Model G3NA-210B(-UTU)                      Model G3NA-220B(-UTU)                      Model G3NA-225B(-UTU)                      Model G3NA-D210B</p>	<p><b>No change</b>                      Model G3NA-205B-UTU                      Model G3NA-210B-UTU                      Model G3NA-220B-UTU                      Model G3NA-225B-UTU                      Model G3NA-D210B-UTU</p>
<p>Model G3NA-240B(-UTU)                      Model G3NA-250B(-UTU)                      Model G3NA-440B-2                      Model G3NA-450B-2</p>	<p>Model G3NA-240B-UTU                      Model G3NA-250B-UTU                      Model G3NA-440B-UTU-2                      Model G3NA-450B-UTU-2</p>
<p>Model G3NA-410B                      Model G3NA-420B                      Model G3NA-425B-2</p>	<p>Model G3NA-410B-UTU                      Model G3NA-420B-UTU                      Model G3NA-425B-UTU-2</p>



**[Characteristics]**

<b>Product discontinuation</b> <b>Model G3NA-(D)[]B(-2)</b> <b>Model G3NA-[]B-UTU some products</b>	<b>Recommendable replacement</b> <b>Model G3NA-(D)[]B-UTU(-2)</b>																																								
<p><b>Model G3NA-[]B(-2) DC5-24</b> No change</p> <p><b>Model G3NA-[]B(-2) AC100-240</b> No change</p> <p><b>Model G3NA-[]B(-UTU) AC100-120</b> Input ratings</p> <table border="1" data-bbox="310 485 836 701"> <tr><td>Rated voltage</td><td>100 to 120 VAC</td></tr> <tr><td>Operating voltage</td><td>75 to 132 VAC</td></tr> <tr><td>Impedance</td><td>36kΩ±20%</td></tr> <tr><td>Must operate voltage</td><td>75 VAC max.</td></tr> <tr><td>Must release voltage</td><td>20 VAC min.</td></tr> </table> <p>Note: 1. Other items no change. Note: 2. The G3NA-240B(-UTU) and the G3NA-250B(-UTU) Impedance are 72kΩ±20%.</p> <p><b>Model G3NA-[]B(-UTU) AC200-240</b> Input ratings</p> <table border="1" data-bbox="310 888 836 1104"> <tr><td>Rated voltage</td><td>200 to 240 VAC</td></tr> <tr><td>Operating voltage</td><td>150 to 264VAC</td></tr> <tr><td>Impedance</td><td>72kΩ±20%</td></tr> <tr><td>Must operate voltage</td><td>150 VAC max.</td></tr> <tr><td>Must release voltage</td><td>40 VAC min.</td></tr> </table> <p>Note: 1. Other items no change. Note: 2. The G3NA-240B(-UTU) and the G3NA-250B(-UTU) Must release voltage are 20 VAC min.</p> <p><b>Model G3NA-D210B</b> No change</p>	Rated voltage	100 to 120 VAC	Operating voltage	75 to 132 VAC	Impedance	36kΩ±20%	Must operate voltage	75 VAC max.	Must release voltage	20 VAC min.	Rated voltage	200 to 240 VAC	Operating voltage	150 to 264VAC	Impedance	72kΩ±20%	Must operate voltage	150 VAC max.	Must release voltage	40 VAC min.	<p><b>Model G3NA-[]B-UTU(-2) DC5-24</b> No change</p> <p><b>Model G3NA-[]B-UTU(-2) AC100-240</b> No change</p> <p><b>Model G3NA-[]B-UTU AC100-240</b> Input ratings</p> <table border="1" data-bbox="935 485 1461 701"> <tr><td>Rated voltage</td><td>100 to 240 VAC</td></tr> <tr><td>Operating voltage</td><td>75 to 264 VAC</td></tr> <tr><td>Impedance</td><td>72kΩ±20%</td></tr> <tr><td>Must operate voltage</td><td>75 VAC max.</td></tr> <tr><td>Must release voltage</td><td>20 VAC min.</td></tr> </table> <p>Note: 1. Other items no change.</p> <p><b>Model G3NA-[]B-UTU AC100-240</b> Input ratings</p> <table border="1" data-bbox="935 888 1461 1104"> <tr><td>Rated voltage</td><td>100 to 240 VAC</td></tr> <tr><td>Operating voltage</td><td>75 to 264 VAC</td></tr> <tr><td>Impedance</td><td>72kΩ±20%</td></tr> <tr><td>Must operate voltage</td><td>75 VAC max.</td></tr> <tr><td>Must release voltage</td><td>20 VAC min.</td></tr> </table> <p>Note: 1. Other items no change.</p> <p><b>Model G3NA-D210B-UTU</b> No change</p>	Rated voltage	100 to 240 VAC	Operating voltage	75 to 264 VAC	Impedance	72kΩ±20%	Must operate voltage	75 VAC max.	Must release voltage	20 VAC min.	Rated voltage	100 to 240 VAC	Operating voltage	75 to 264 VAC	Impedance	72kΩ±20%	Must operate voltage	75 VAC max.	Must release voltage	20 VAC min.
Rated voltage	100 to 120 VAC																																								
Operating voltage	75 to 132 VAC																																								
Impedance	36kΩ±20%																																								
Must operate voltage	75 VAC max.																																								
Must release voltage	20 VAC min.																																								
Rated voltage	200 to 240 VAC																																								
Operating voltage	150 to 264VAC																																								
Impedance	72kΩ±20%																																								
Must operate voltage	150 VAC max.																																								
Must release voltage	40 VAC min.																																								
Rated voltage	100 to 240 VAC																																								
Operating voltage	75 to 264 VAC																																								
Impedance	72kΩ±20%																																								
Must operate voltage	75 VAC max.																																								
Must release voltage	20 VAC min.																																								
Rated voltage	100 to 240 VAC																																								
Operating voltage	75 to 264 VAC																																								
Impedance	72kΩ±20%																																								
Must operate voltage	75 VAC max.																																								
Must release voltage	20 VAC min.																																								

**[Operation ratings]**

<b>Product discontinuation</b> <b>Model G3NA-(D)[]B(-2)</b> <b>Model G3NA-[]B-UTU some products</b>	<b>Recommendable replacement</b> <b>Model G3NA-(D)[]B-UTU(-2)</b>
<p><b>See Characteristics.</b></p>	

**[Operation methods]**

<b>Product discontinuation</b> <b>Model G3NA-(D)[]B(-2)</b> <b>Model G3NA-[]B-UTU some products</b>	<b>Recommendable replacement</b> <b>Model G3NA-(D)[]B-UTU(-2)</b>
<p><b>See Wire connection. (No change)</b></p>	

Specifications and prices in this product news are as of the issue date and are subject to change without notice. Only main changes in specifications are described in this document. Please be sure to read the relevant catalogs, product specifications, instructions, and manuals for precautions and necessary information when using products