

# HIA-J105

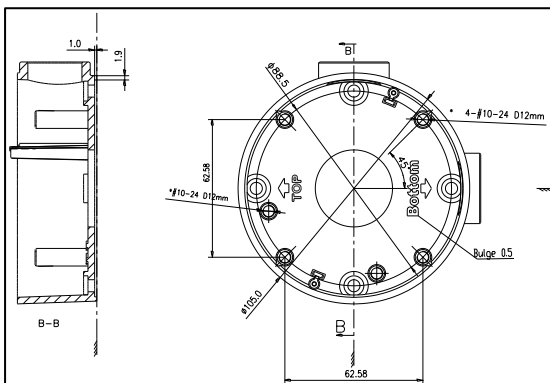
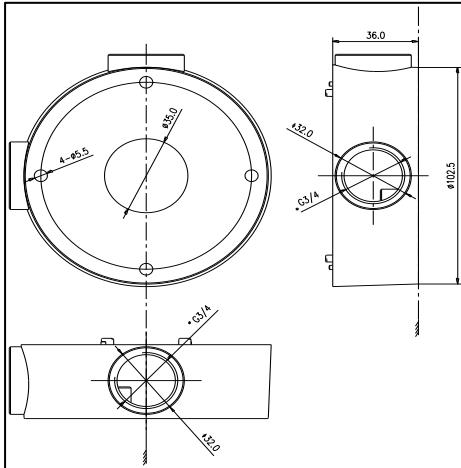
Junction Box for Bullet Camera



## Features:

- Aluminum alloy material with surface spray treatment

## Dimension:



## Order Model:

HIA-J105

## Parameter:

Model	HIA-J105
Parameters	Junction Box for Bullet Camera
Appearance	Hikvision White
Material	Aluminum Alloy
Dimension	Φ 88.5 × 36 mm
Weight	248 g (0.55 lb.)

## Notice:

- The bracket should be installed on flat wall
- Waterproof rubber is necessary for outdoor application
- The wall must be capable of supporting over 3 times as much as the total weight of the camera and the mount.
- The maximum load capacity of the bracket is 4.5 kg