

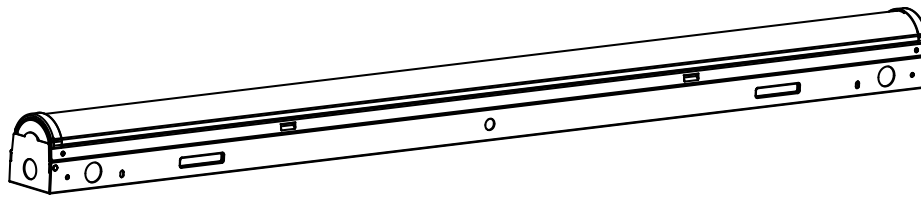
WLB72B Industrial LED Light Bar (AC)



Datasheet

Banner's WLB72 is a very bright LED luminaire that features an even light output for a no glare 'glow'. The WLB72 series is designed for a wide variety of environments and applications, including but not limited to work stations, machine lighting, and low bay lighting. The WLB72 uses advanced LED lighting technology to provide a high-quality and maintenance free industrial lighting solution.

- Increase worker productivity and ergonomics with bright, high-quality, uniform light
- Exceptionally energy efficient for overall cost savings
- Durable light with a metal housing and shatter-resistant window
- Intensity can be controlled from 5% to 100% using a compatible dimmer
- Rated for use at 120 V AC to 277 V AC
- Fast installation with multiple integrated mounting options or accessory brackets



The WLB72 Industrial LED Light Bars are continuous run models that come with 1/2-inch conduit knockouts on the side, back, and both end caps that allow for lights to be cascaded or "daisy-chained" for a continuous length of light. WLB72 models come with a five year, limited warranty. To view or download the latest technical information about this product, including specifications, dimensions, accessories, and wiring, see www.bannerengineering.com.



Important: Read the following instructions before operating the light. Please download the complete WLB72B Industrial LED Light Bar technical documentation, available in multiple languages, from www.bannerengineering.com for details on the proper use, applications, Warnings, and installation instructions of this device.

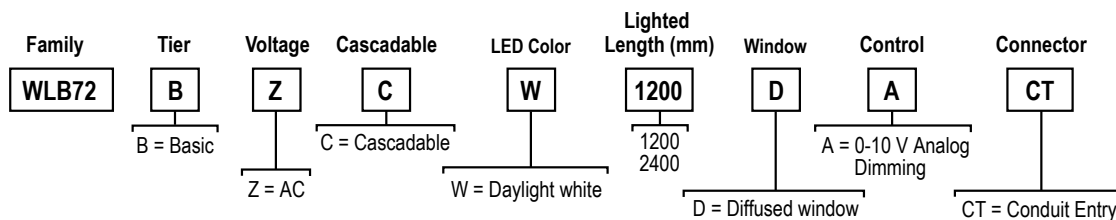


Important: Lea el siguiente instructivo antes de operar el luminario. Por favor descargue desde www.bannerengineering.com toda la documentación técnica de los WLB72B Industrial LED Light Bar, disponibles en múltiples idiomas, para detalles del uso adecuado, aplicaciones, advertencias, y las instrucciones de instalación de estos dispositivos.



Important: Lisez les instructions suivantes avant d'utiliser le luminare. Veuillez télécharger la documentation technique complète des WLB72B Industrial LED Light Bar sur notre site www.bannerengineering.com pour les détails sur leur utilisation correcte, les applications, les notes de sécurité et les instructions de montage.

Models



Installation Instructions

Install the Light

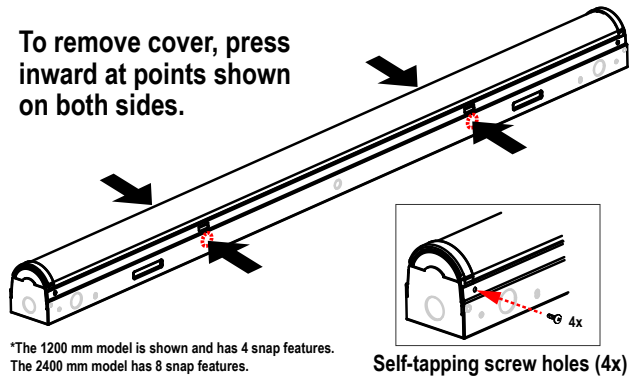


Figure 1. Removing the cover



WARNING:

- **Risk of Electric Shock**
- Failure to follow these instructions could result in serious injury or death.
- Installation and service of luminaires should be performed by a qualified licensed electrician.
- Disconnect or turn off power before installing, removing, or servicing luminaire. Luminaire must be installed and connected in accordance with the National Electrical Code (NEC) and any applicable local code requirements. Luminaire must be supplied with a 120–277 V ac 50/60 Hz fuse box or circuit breaker.

To mount the WLB72B Industrial LED Light Bar, follow these steps.

1. Remove luminaire from packaging and inspect for damage before installing.
2. Determine the mounting method and location. The WLB72 is rated for wall, ceiling, or under cabinet mounting. Optional mounting brackets are available, see [Accessories](#) on p. 6.
3. Remove the cover from the housing by pressing inward at the snap features on the housing, starting at one end and progressing to the other.
4. Place the light in the mounting location and mark the positions of the light mounting holes.
5. Drill the holes and use the appropriate screws to secure the luminaire to the mounting location.

Wire the Light

Follow these steps to wire the WLB72 Industrial LED Light Bar.



Note: Shielded wiring is required for dimming control for both model lengths.

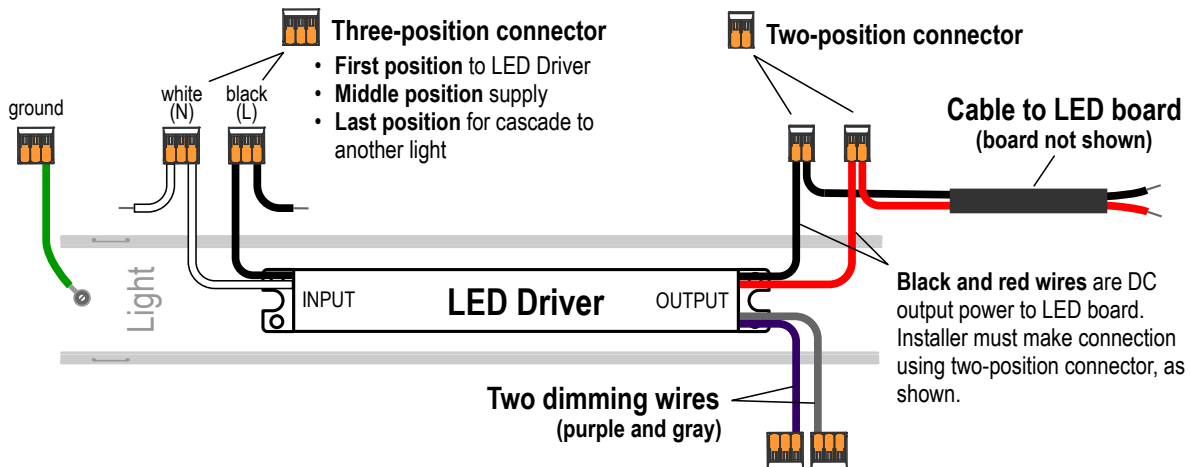


Figure 2. 1200 mm Model

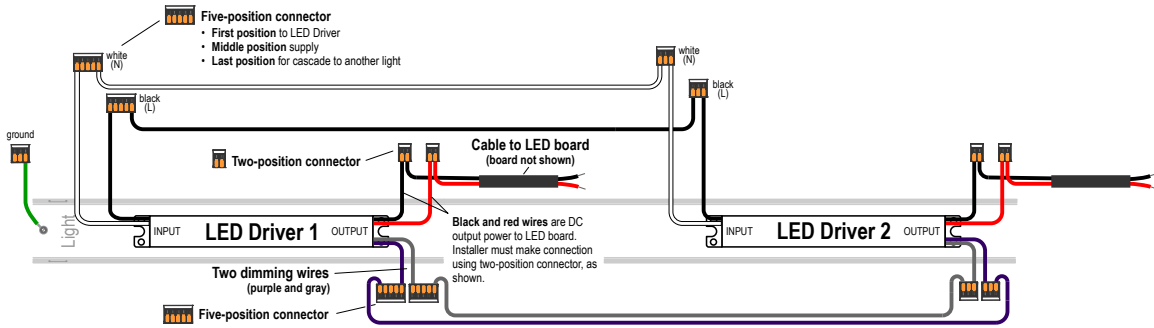


Figure 3. 2400 mm Model

1. Remove the cover from the housing by pressing inward at the two snap locations on the housing.
2. Connect the power by removing the selected knockout and installing either 1/2-inch conduit or an AC power cord with supplied cord grip strain relief. If you are using rigid conduit, the conduit hub/connector must be approved for use in dry or damp locations and must be connected to the conduit before the hub/connector is connected to the luminaire. The supplied cord grip diameter range is 4.3 to 11.4 mm.
3. Connect the incoming supply wires to the LED Driver input connectors according to the wiring diagram.
 - a) For 2400 mm models, connect the LED Driver input wires together using supplied wiring.
4. Connect the ground wire to the three-position ground connector.
5. If you are using 0–10 V analog dimming, connect to the LED Driver dimming connectors according to the wiring diagram.
 - a) For 2400 mm models, connect the LED Driver dimming wires together using supplied wiring.
6. Attach the red and black wires from the cover LED board to the output connectors on the Driver.
 - a) For 2400 mm models, there are two Drivers, and two sets of red and black wires.
7. Re-attach the cover to the housing by snapping it into place. Secure the cover to the housing by using a minimum of one self tapping screw on each end of the housing (four screws are provided).
8. Repeat these steps on other end of the luminaire if you are connecting to more than one luminaire in a continuous run.

Wiring Diagram

Diagram	Wire	Connection
	L - Black	Line/Hot
	N - White	Neutral
	- Green/Yellow	Earth ground
	Dim (+) - Purple	0–10 V dc analog dimming
	Dim (-) - Gray	Return analog dimming

Specifications

Supply Voltage

Nominal voltage: 120 V AC to 277 V AC, 60 Hz in North America
 Nominal voltage: 120 V AC to 277 V AC, 50/60 Hz outside North America
 Power factor: > 0.95 at 120 V AC and > 0.90 at 277 V AC
 Total harmonic distortion (THD): < 20%
 See electrical characteristics on product label

Supply Current

Lighted Length (mm)	Max. Current Draw (A) at 90 V AC	Typical Current Draw (A)		
		120 V AC	230 V AC	277 V AC
1200	0.850	0.43	0.22	0.18
2400	1.700	0.86	0.44	0.36

Supply Protection Circuitry

Protected against transient voltages

Light Characteristics

Daylight White Efficacy: 130 lumens/watt typical at 120 V AC at 25 °C (77 °F)
 CRI: 82, typical

Model	Color	Color Temperature (CCT)	Lumens (Typical at 25 °C)
1200	Daylight White	5000 K (±300 K)	4225
2400	Daylight White	5000 K (±300 K)	8350

Dimming

Compatible with 0–10 V analog LED dimming, dimmable to 5% intensity
 Shielded wiring required for dimming control.
 Compatible dimmers are listed in Accessories
 Dimming current: <0.2 mA

DesignLight Consortium® DLC Premium Qualified Product

Primary Use: Low-Bay Luminaires for Commercial and Industrial Buildings
 Direct Linear Ambient Luminaires
Model: WLB72BZCW1200DACT

Application Notes

When connecting continuous run/cascadable lights in series, it is important not to exceed maximum current limitations of 14 AWG, 75 °C wire, in accordance with the National Electrical Code (NEC) and any applicable local code requirements.
 Two or more lights installed in parallel must maintain a 150 mm (6 inch) spacing to maintain a 50 °C operating temperature.

Certifications and Approvals



UL/cULus E470122

UL-NOM approval applies to 1200 mm model

Construction

Galvanized steel with corrosion resistant polyester powder coat, polycarbonate window and end caps.

Mounting

Compatible with a variety of common mounting and hanging methods. Housing includes six mounting holes for surface mounting.
 Several optional mounting brackets are available (see Accessories)

Connections

1/2-inch trade size conduit knockout in nine locations

Weight

1200 model: 2.8 kg (6.2 lbs)
 2400 model: 5.6 kg (12.3 lbs)

Environmental Rating

IEC IP20

LED Lifetime

When operating within specifications, output will decrease less than 30% after 50,000 hours.

Operating Temperature

Surface Mount Installation: -40 °C to +50 °C (-40 °F to +122 °F)
 85% at +50 °C maximum relative humidity (non-condensing)

Storage Temperature

-40 °C to +70 °C (-40 °F to +158 °F)

Vibration and Mechanical Shock

Vibration: 10 Hz to 55 Hz, 0.5 mm peak-to-peak amplitude per IEC 60068-2-6 (5 minute sweep, 30 minute dwell)
 Shock: 5G 11 ms duration, half sine wave per IEC 60068-2-27
 Impact: IK07 (IEC 60068-2-75)



Note: Vibration and shock testing performed on 1200 mm model

Required Overcurrent Protection



WARNING: Electrical connections must be made by qualified personnel in accordance with local and national electrical codes and regulations.

Overcurrent protection is required to be provided by end product application per the supplied table.
 Overcurrent protection may be provided with external fusing or via Current Limiting, Class 2 Power Supply.
 Supply wiring leads < 24 AWG shall not be spliced.
 For additional product support, go to www.bannerengineering.com.

Supply Wiring (AWG)	Required Overcurrent Protection (Amps)
20	5.0
22	3.0
24	2.0
26	1.0
28	0.8
30	0.5

Performance Curves

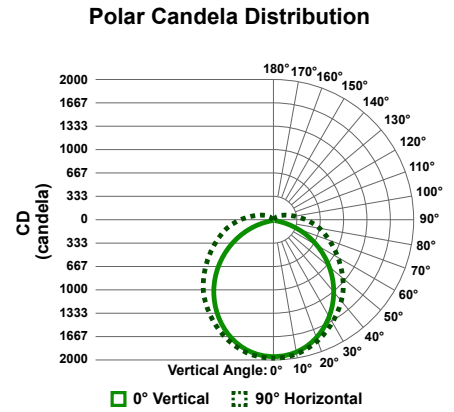
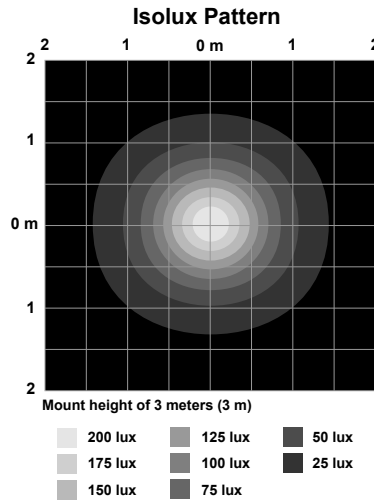
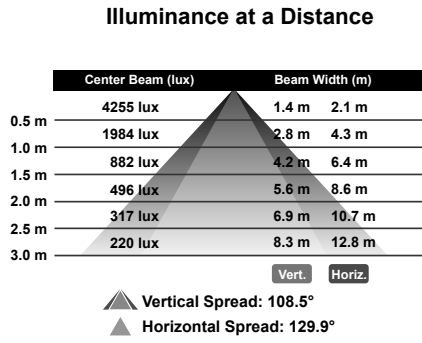


Figure 4. 1200 mm Model

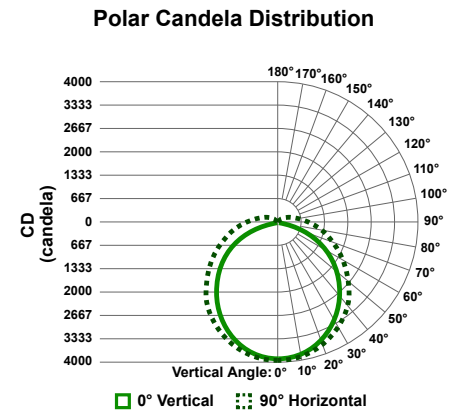
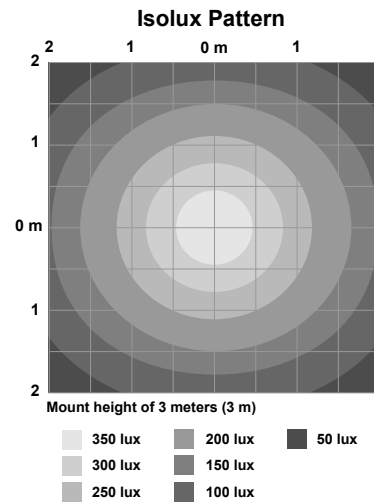
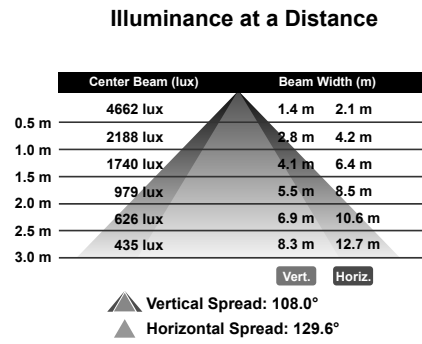


Figure 5. 2400 mm Model

Dimensions

All measurements are listed in millimeters, unless noted otherwise.

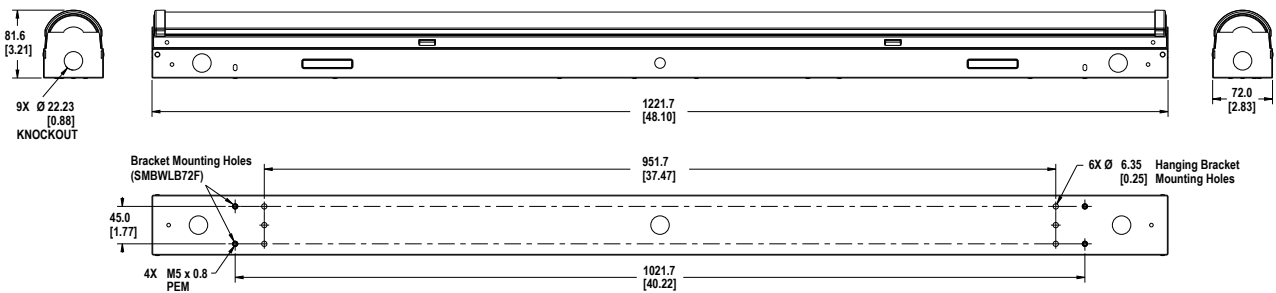


Figure 6. 1200 mm Model

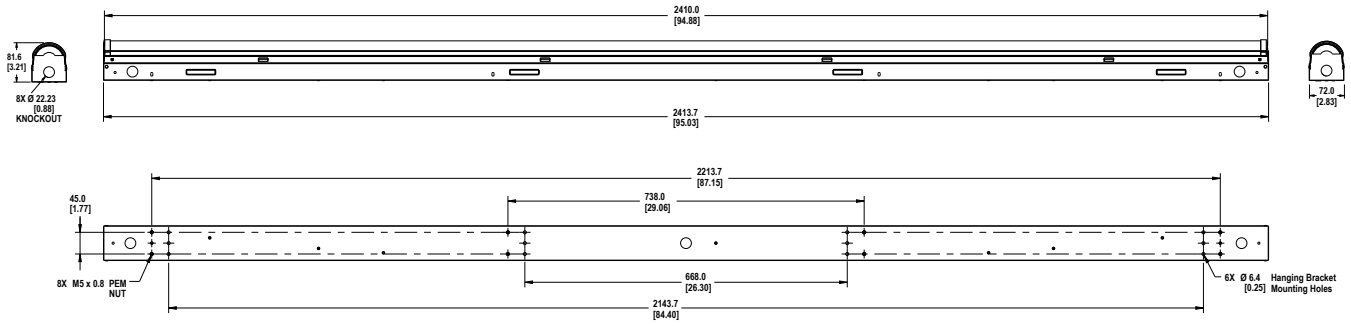


Figure 7. 2400 mm Model

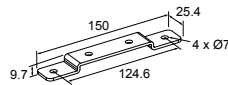
Accessories

Brackets

All measurements are listed in millimeters, unless noted otherwise.

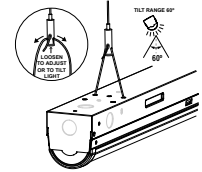
LMBWLB72F

- Stainless steel
- Includes two surface mount brackets and four screws for mounting onto the housing



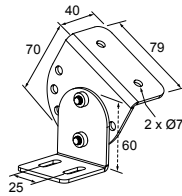
LMBWLB72HK

- Hanging bracket kit allows for suspended installation
- Includes two hanging bracket assemblies
- Cables allow for 60 degrees of angle adjustment



LMBWLB72RAS

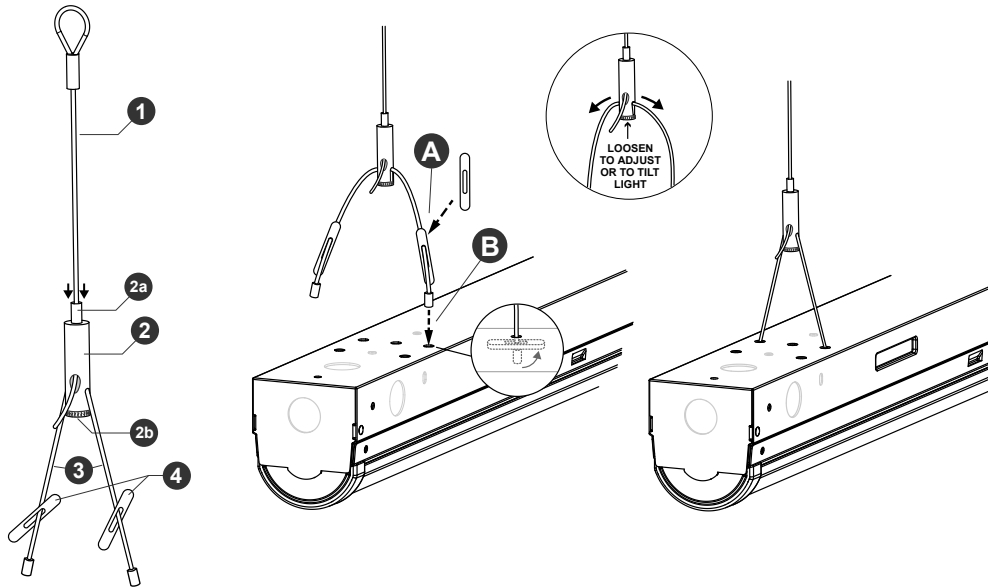
- Swivel brackets allow for 180° of movement in seven fixed positions
- Stainless steel
- Includes two swivel bracket assemblies and eight screws



Note: The 2400 mm model requires four brackets for mounting. Order two of the above bracket model numbers.

Installing and Adjusting the WLB72 Hanging Bracket

To install the hanging bracket, assemble the bracket components as shown.



1. Hanging cable
2. Gripper
- 2a. Plunger
- 2b. Cross cable nut
3. Cross cable
4. Bracket

When feeding the cable through the gripper, allow at least one inch of cable beyond the gripper. Do not feed any excess cable into the light housing. To adjust the gripper position:

1. Lift all weight off the gripper.
2. Press the plunger to release the cable.
3. Slide the gripper to a new position (A).
4. Release the plunger.
5. Tighten the cross cable nut manually (B).

Other Accessories

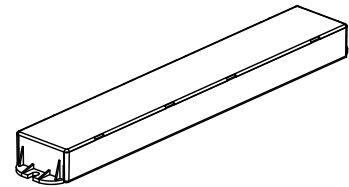
EBATTWLB72 Emergency LED Driver (Battery) Kit

When AC power fails, the emergency driver will provide 90 minutes of emergency light. When the AC power is restored, the emergency driver automatically returns to the charge mode.

- The kit includes everything needed to install battery inside the WLB72 housing
- Smart charger for low energy consumption
- Class 2 output, UL 1310 certified, CSA 22.2 No. 223-91 compliant
- Meets CEC Title 20 (California Energy Commission) standards
- Maintenance free Nickel-Cadmium battery, 7 to 10 year life expectancy
- Includes illuminated battery test switch



Note: Emergency LED Driver (Battery) Kit is available for the 1200 mm length and carries a cULus listing for use in the USA, Canada, and other countries that accept products tested to this standard. Emergency LED Drivers are available regionally that are compatible with the WLB72B



Maximum Battery Case Size

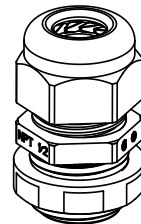
60 mm x 40 mm x 400 mm (Width x Height x Length)

Electrical Input Voltage

120 V AC to 277 V AC, 50/60 Hz
Emergency Battery output must supply a constant current and provide 10 Watts at 45 V DC in the emergency mode for 90 minutes.

ACC-WLB72-CSR-5 Cord Grip Accessory (5 pack with nuts)

- One strain relief is included with each WLB72 light
- Cable diameter: 4.3 mm to 11.4 mm (0.17 in to 0.45 in)
- For use in clearance holes 22.2 mm (0.875 in) or threaded holes ½ NPT
- Nylon 6/6 construction with TPE sealing gland resists common solvents
- IEC IP68 rated (70 psi, 5 Bar)
- Flammability Rating 94V-2
- Temperature: -40 °C to 115 °C (-40 °F to 239 °F)



Compatible Wall Dimmer Models

Banner has tested the listed dimmers to verify compatibility with the WLB72 light, but cannot guarantee dimmer performance. Reference the dimmer manufacturer's instructions for installation, application, and regulatory compliance questions as each dimmer installation is unique.

Dimmers with Full Dimming Range:	Dimmers with Limited Dimming Range:	Low Voltage Dimmer (no AC required):
Lutron Diva Family DVSCTV DDTV DVSTV DVSCSTV Lutron Nova Family NTSTV-DV Lutron Maestro Family MS-Z101 MS-Z101-V	Leviton Illumatech Family IP710-LFZ IP710-DLZ Leviton Renoir II Family AWSMT-7DW AWSMG-7DW AWRMG-7DW	LEDdynamics A019 *0 V to 10 V sinking controls driver dimming wires only. Dimmer does not have a switch to shut off AC power to the light.

Banner Engineering Corp. Limited Warranty

Banner Engineering Corp. warrants its products to be free from defects in material and workmanship for five years on daylight white and warm white models and one year on all other models following the date of shipment. Banner Engineering Corp. will repair or replace, free of charge, any product of its manufacture which, at the time it is returned to the factory, is found to have been defective during the warranty period. This warranty does not cover damage or liability for misuse, abuse, or the improper application or installation of the Banner product.

THIS LIMITED WARRANTY IS EXCLUSIVE AND IN LIEU OF ALL OTHER WARRANTIES WHETHER EXPRESS OR IMPLIED (INCLUDING, WITHOUT LIMITATION, ANY WARRANTY OF MERCHANTABILITY OR FITNESS FOR A PARTICULAR PURPOSE), AND WHETHER ARISING UNDER COURSE OF PERFORMANCE, COURSE OF DEALING OR TRADE USAGE.

This Warranty is exclusive and limited to repair or, at the discretion of Banner Engineering Corp., replacement. **IN NO EVENT SHALL BANNER ENGINEERING CORP. BE LIABLE TO BUYER OR ANY OTHER PERSON OR ENTITY FOR ANY EXTRA COSTS, EXPENSES, LOSSES, LOSS OF PROFITS, OR ANY INCIDENTAL, CONSEQUENTIAL OR SPECIAL DAMAGES RESULTING FROM ANY PRODUCT DEFECT OR FROM THE USE OR INABILITY TO USE THE PRODUCT, WHETHER ARISING IN CONTRACT OR WARRANTY, STATUTE, TORT, STRICT LIABILITY, NEGLIGENCE, OR OTHERWISE.**

Banner Engineering Corp. reserves the right to change, modify or improve the design of the product without assuming any obligations or liabilities relating to any product previously manufactured by Banner Engineering Corp. Any misuse, abuse, or improper application or installation of this product or use of the product for personal protection applications when the product is identified as not intended for such purposes will void the product warranty. Any modifications to this product without prior express approval by Banner Engineering Corp will void the product warranties. All specifications published in this document are subject to change; Banner reserves the right to modify product specifications or update documentation at any time. Specifications and product information in English supersede that which is provided in any other language. For the most recent version of any documentation, refer to: www.bannerengineering.com.

For patent information, see www.bannerengineering.com/patents.

FCC Part 15 and CAN ICES-3 (B)/NMB-3(B)

This device complies with part 15 of the FCC Rules and CAN ICES-3 (B)/NMB-3(B). Operation is subject to the following two conditions:

1. This device may not cause harmful interference, and
2. This device must accept any interference received, including interference that may cause undesired operation.

This equipment has been tested and found to comply with the limits for a Class B digital device, pursuant to part 15 of the FCC Rules and CAN ICES-3 (B)/NMB-3(B). These limits are designed to provide reasonable protection against harmful interference in a residential installation. This equipment generates, uses and can radiate radio frequency energy and, if not installed and used in accordance with the instructions, may cause harmful interference to radio communications. However, there is no guarantee that interference will not occur in a particular installation. If this equipment does cause harmful interference to radio or television reception, which can be determined by turning the equipment off and on, the user is encouraged to try to correct the interference by one or more of the following measures:

- Reorient or relocate the receiving antenna.
- Increase the separation between the equipment and receiver.
- Connect the equipment into an outlet on a circuit different from that to which the receiver is connected.
- Consult the manufacturer.

Mexican Importer

Banner Engineering de México, S. de R.L. de C.V.
 David Alfaro Siqueiros 103 Piso 2 Valle oriente
 San Pedro Garza Garcia Nuevo León, C. P. 66269
 81 8363.2714



more sensors, more solutions