

# EQUINOX

## Fusion 140

User Manual



Order code: EQLED074

### WARNING

## FOR YOUR OWN SAFETY, PLEASE READ THIS USER MANUAL CAREFULLY BEFORE YOUR INITIAL START-UP!

- Before your initial start-up, please make sure that there is no damage caused during transportation.
- Should there be any damage, consult your dealer and do not use the equipment.
- To maintain the equipment in good working condition and to ensure safe operation, it is necessary for the user to follow the safety instructions and warning notes written in this manual.
- Please note that damages caused by user modifications to this equipment are not subject to warranty.



### IMPORTANT:

The manufacturer will not accept liability for any resulting damages caused by the non-observance of this manual or any unauthorised modification to the equipment.

- Never let the power cable come into contact with other cables. Handle the power cable and all mains voltage connections with particular caution!
- Never remove warning or informative labels from the unit.
- Do not open the equipment and do not modify the unit.
- Do not connect this equipment to a dimmer pack.
- Do not switch the equipment on and off in short intervals, as this will reduce the system's life.
- Only use the equipment indoors.
- Do not expose to flammable sources, liquids or gases.
- Always disconnect the power from the mains when equipment is not in use or before cleaning! Only handle the power-cable by the plug. Never pull out the plug by pulling the power-cable.
- Make sure that the available mains supply voltage is between 100~240V AC, 50/60Hz.
- Make sure that the power cable is never crimped or damaged. Check the equipment and the power cable periodically.
- If the equipment is dropped or damaged, disconnect the mains power supply immediately and have a qualified engineer inspect the equipment before operating again.
- If the equipment has been exposed to drastic temperature fluctuation (e.g. after transportation), do not connect power or switch it on immediately. The arising condensation might damage the equipment. Leave the equipment switched off until it has reached room temperature.
- If your product fails to function correctly, stop use immediately. Pack the unit securely (preferably in the original packing material), and return it to your Pro Light dealer for service.
- Only use fuses of same type and rating.
- Repairs, servicing and power connection must only be carried out by a qualified technician. THIS UNIT CONTAINS NO USER SERVICEABLE PARTS.
- This lighting fixture is for professional use only - it is not designed for or suitable for household use. The product must be installed by a qualified technician in accordance with local territory regulations. The safety of the installation is the responsibility of the installer. The fixture presents risks of severe injury or death due to fire hazards, electric shock and falls.
- Warning! Risk Group 2 LED product according to EN 62471. Do not view the light output with optical instruments or any device that may concentrate the beam.
- WARRANTY: One year from date of purchase.

### OPERATING DETERMINATIONS

If this equipment is operated in any other way, than those described in this manual, the product may suffer damage and the warranty becomes void. Incorrect operation may lead to danger e.g: short-circuit, burns and electric shocks etc.

Do not endanger your own safety and the safety of others!

Incorrect installation or use can cause serious damage to people and/or property.

### Fusion 140

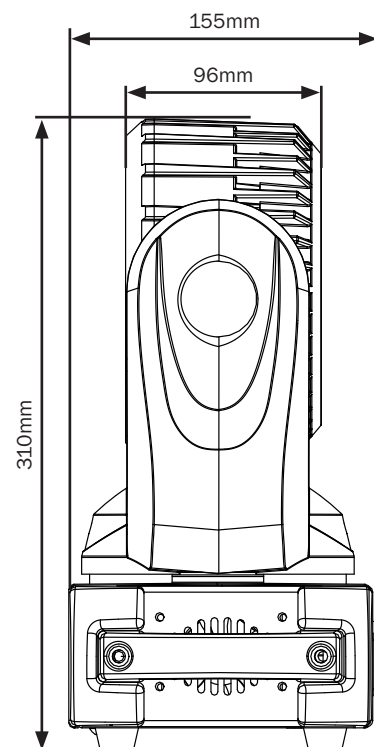
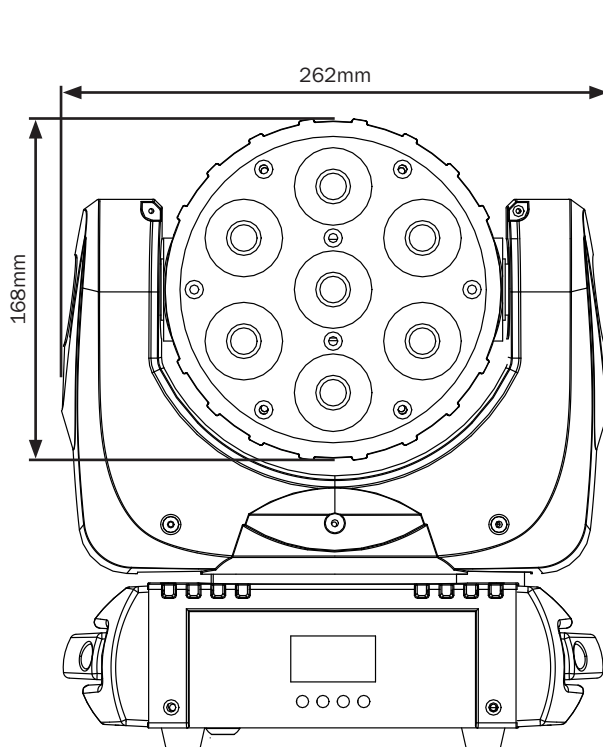
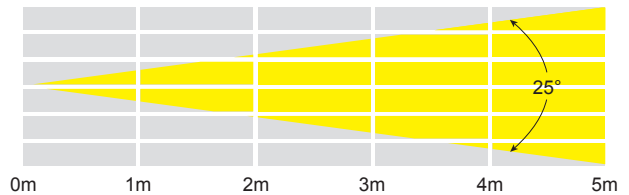
Housing 7 x 18W HEX colour LEDs, RGBWAUV the Fusion 140 moving head wash gives smooth colour mixing from rich saturated hues to subtle pastel shades. The compact and lightweight design allows for easy transportation and installation. The 4 push button LED menu allows for easy access to the functions including DMX, auto, sound active and master/slave modes. Fast movements along with a host of on-board options makes this fixture great for either installations or mobile entertainers.

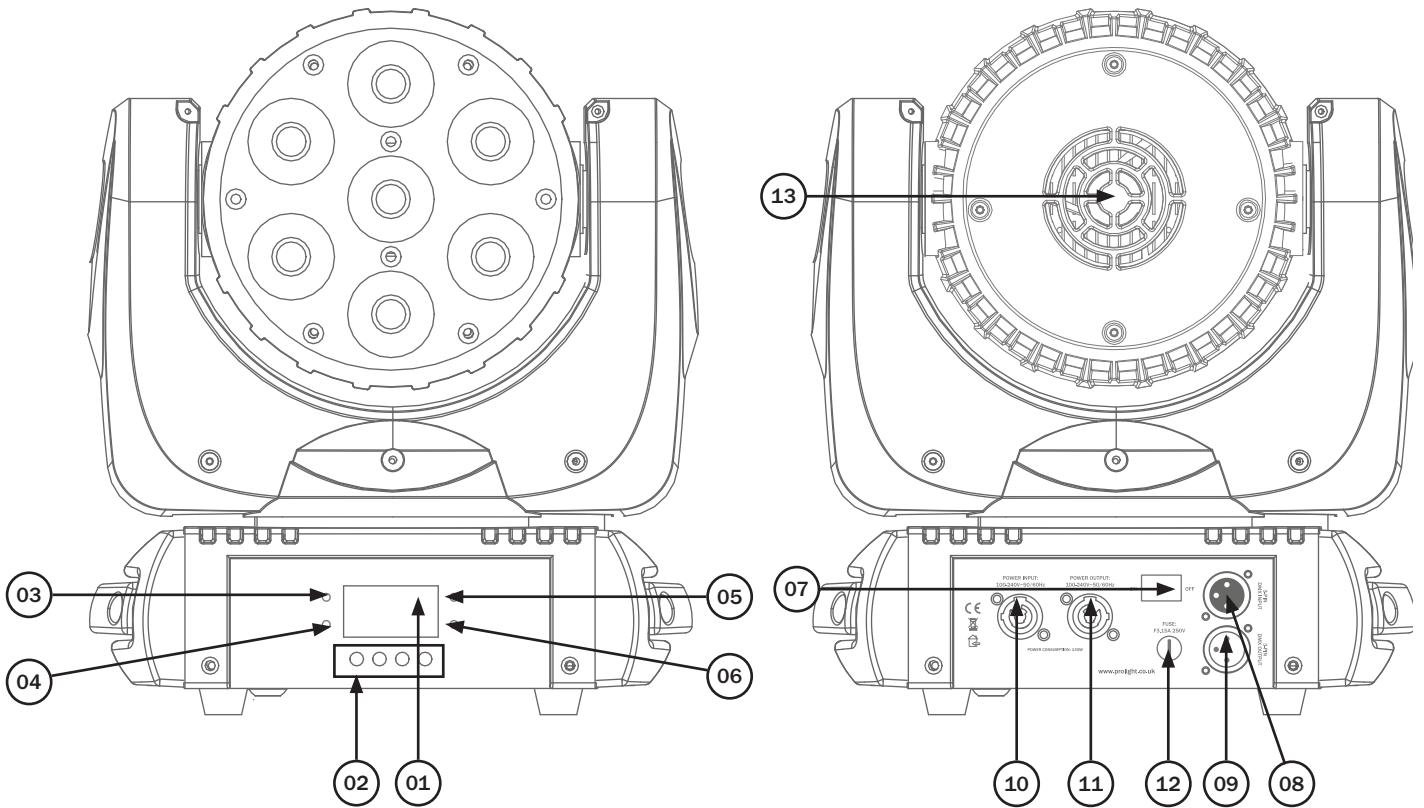
- 7 x 18W six-colour LEDs (RGBWAUV)
- Beam angle: 35°
- 2,930 Lux @ 2m (full on)
- DMX channels: 11 or 15 selectable
- Auto, sound active and master/slave modes plus built-in programs
- Pan/tilt auto correction
- 16-Bit pan/tilt positioning
- Pan: 540°, Tilt: 180°
- 0-100% dimming and variable strobe
- Supplied with quick release omega clamp
- 4 push button menu with LCD display
- PowerCON input/output
- 3-Pin XLR input/output
- Fan cooled



Specifications	Fusion 140
Power consumption	130W
Power supply	100~240V, 50/60Hz
Fuse	F3.15A
Dimensions	310 x 262 x 155mm
Weight	4.5kg
Order codes	EQLED074

25° - Lux					
FULL ON	11720	2930	1302	732	468
R	1836	459	204	114	73.4
G	4032	1008	448	252	161
B	644	161	71.5	40.2	25.7
W	3700	925	411	231	148
A	2148	537	238	134	85.9
UV	N/A	N/A	N/A	N/A	N/A



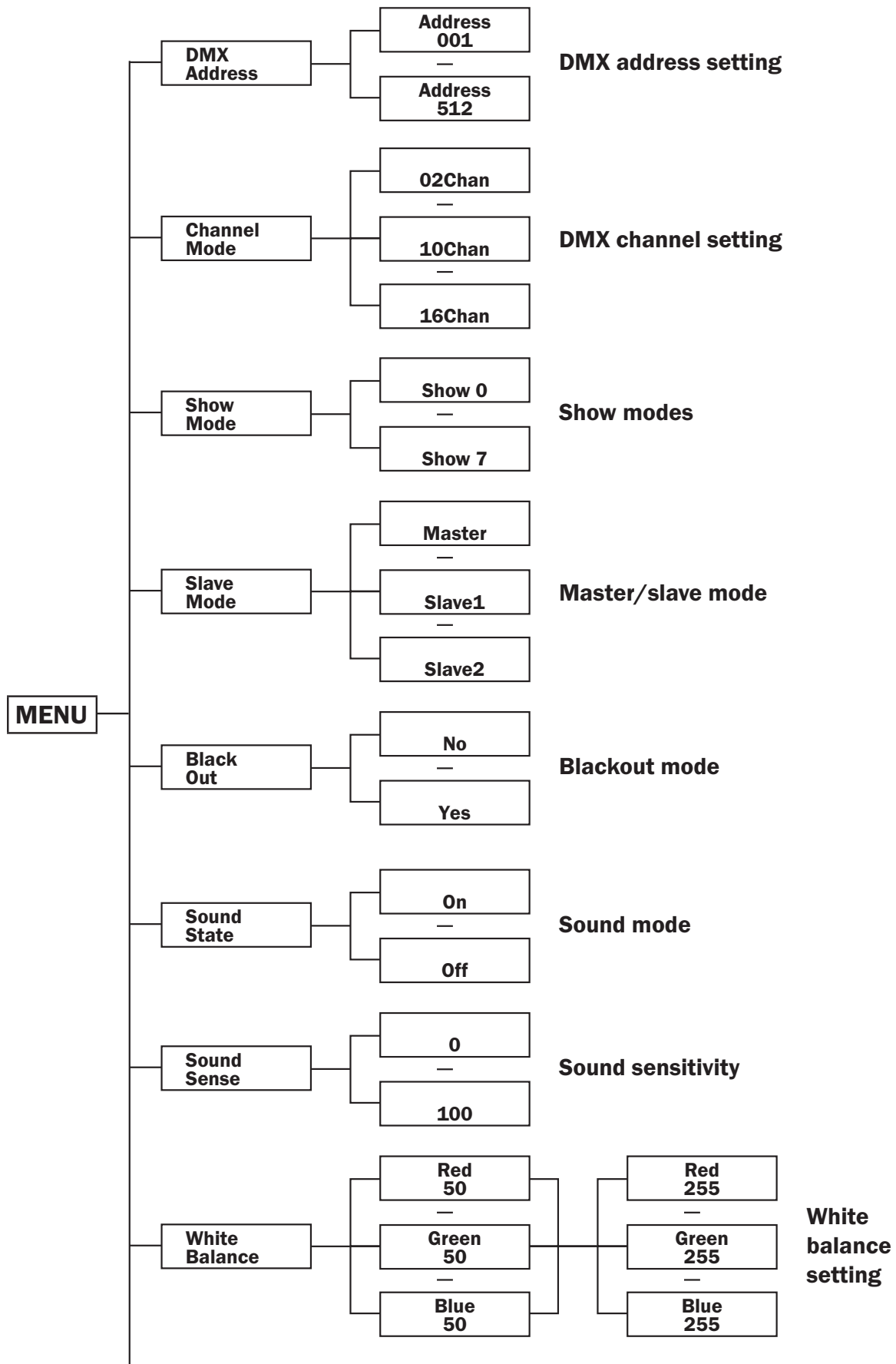


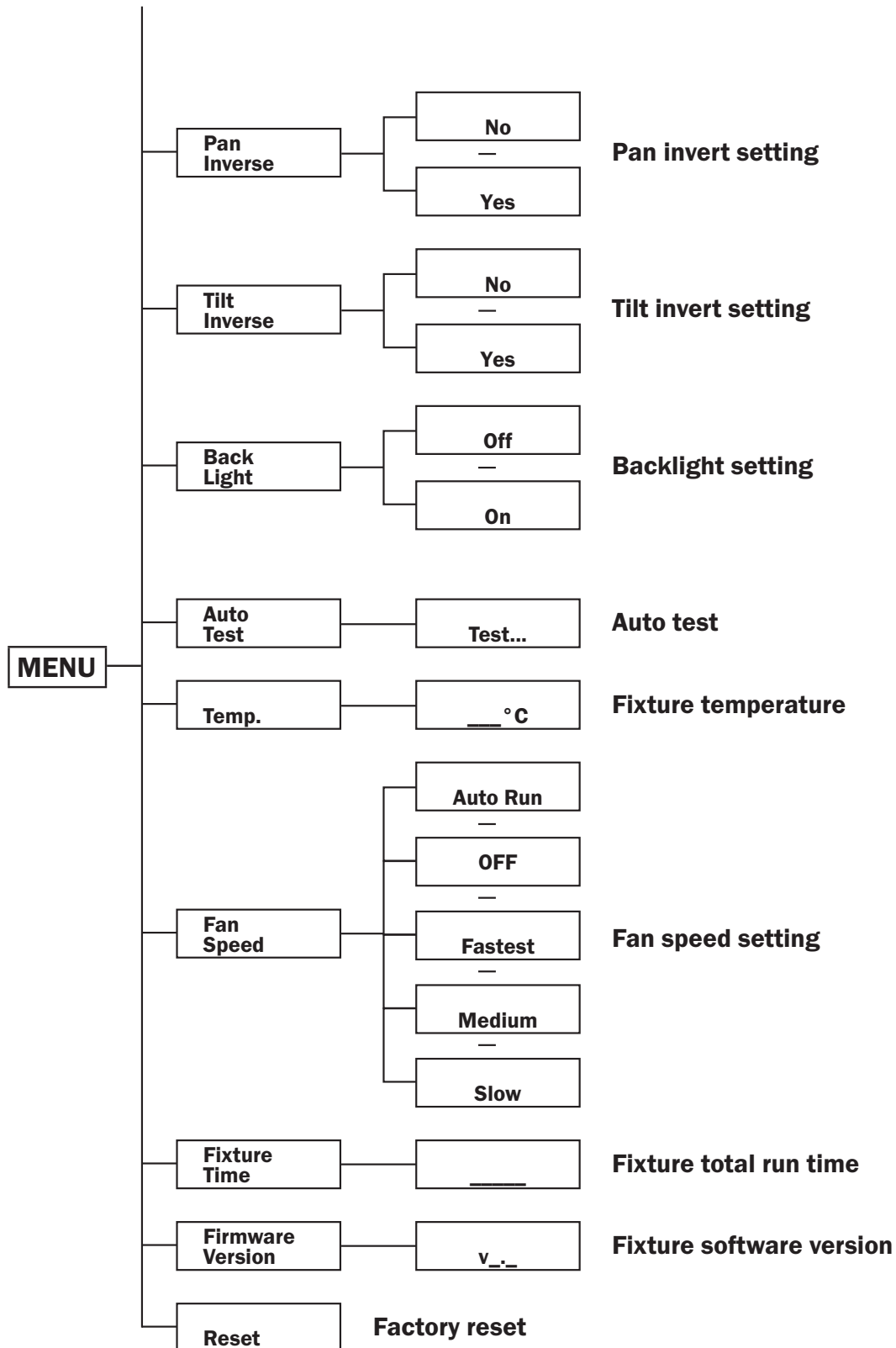
01 - LCD display  
 02 - Function buttons  
 03 - DMX indicator  
 04 - Master indicator  
 05 - Slave indicator

06 - Sound indicator  
 07 - On/off switch  
 08 - 3-Pin DMX input  
 09 - 3-Pin DMX output  
 10 - PowerCON input

11 - PowerCON output  
 12 - Fuse F3.15A 250V  
 13 - Fan

In the box: **1 x fixture,**  
**1 x power cable,**  
**1 x omega clamp,**  
**& 1 x user manual**





### DMX mode:

Operating in a DMX control mode environment gives the user the greatest flexibility when it comes to customising or creating a show. In this mode you will be able to control each individual trait of the fixture and each fixture independently.

To access the DMX address mode, press the “**MENU**” button to show “**DMX Address**” on the LCD display. Now press the “**ENTER**” button and use the “**UP**” and “**DOWN**” buttons to set the required DMX address. Press the “**ENTER**” button to confirm the setting.

To exit out of any of the above options, press the “**MENU**” button.

### DMX channel mode:

To access the DMX channel mode, press the “**MENU**” button to show “**Channel Mode**” on the LCD display. Now press the “**ENTER**” button and use the “**UP**” and “**DOWN**” buttons to choose one of the 2, 10 or 16 DMX channel modes. Press the “**ENTER**” button to confirm the setting.

To exit out of any of the above options, press the “**MENU**” button.

**PLEASE NOTE:** When the unit is receiving DMX the red DMX indicator on the front panel will illuminate.

### 2 channel mode:

Channel	Value	Function
CH1	000-006	No function
	007-037	Show 0
	038-068	Show 1
	069-099	Show 2
	100-130	Show 3
	131-161	Show 4
	162-192	Show 5
	193-223	Show 6
	224-255	Show 7
CH2	000-009	No function
	010-255	Sound active (sensitivity low-high)

### 10 channel mode:

Channel	Value	Function
CH1	000-255	Pan adjustment 0-540°
CH2	000-255	Tilt adjustment 0-180°
CH3	000-255	Master dimmer (0-100%)
CH4	000-009	No function
	010-255	Strobe (slow-fast)
CH5	000-255	Red (0-100%)
CH6	000-255	Green (0-100%)
CH7	000-255	Blue (0-100%)
CH8	000-255	White (0-100%)
CH9	000-255	Amber (0-100%)
CH10	000-255	UV (0-100%)

### 16 channel mode:

Channel	Value	Function
CH1	000-255	Pan adjustment 0-540°
CH2	000-255	Pan fine adjustment
CH3	000-255	Tilt adjustment 0-180°
CH4	000-255	Tilt fine adjustment
CH5	000-255	Pan/tilt speed
CH6	000-255	Master dimmer (0-100%)
CH7	000-009	No function
	010-255	Strobe (slow-fast)
CH8	000-255	Red (0-100%)
CH9	000-255	Green (0-100%)
CH10	000-255	Blue (0-100%)
CH11	000-255	White (0-100%)
CH12	000-255	Amber (0-100%)
CH13	000-255	UV (0-100%)
CH14	000-038	Blackout
	039-044	Red
	045-050	Green
	051-056	Blue
	057-062	White
	063-068	Amber
	069-074	UV
	075-080	Yellow
	081-086	Magenta
	087-092	Pastel red
	093-098	Orange
	099-104	Hot pink
	105-110	Cyan
	111-116	Pastel green
	117-122	Lime green
	123-128	Mint green
	129-134	Pastel blue
	135-140	Violet
	141-146	Blue
	147-152	Pastel amber
153-158	White	
159-164	Coral	
165-170	White (RGB)	
171-176	Pastel yellow	
177-182	Medium yellow	

Channel	Value	Function
CH14 cont.	183-188	Yellow Green
	189-194	Lavender
	195-200	Pink
	201-206	Purple
	207-212	Rose pink
	213-218	Pastel pink
	219-224	Vibrant pink
	225-230	Sky blue
	231-236	Light cyan
	237-242	Medium blue
	243-248	Pale green
	249-255	Aqua
CH15	000-006	No function
	007-037	Show 0
	038-068	Show 1
	069-099	Show 2
	100-130	Show 3
	131-161	Show 4
	162-192	Show 5
	193-223	Show 6
224-255	Show 7	
CH16	000-009	No function
	010-235	Sound active (sensitivity low-high)
	236-245	No function
	246-255	Motor reset (hold 5s)



### Show mode:

To access the show modes, press the “MENU” button to show “Show Mode” on the LCD display. Now press the “ENTER” button and use the “UP” and “DOWN” buttons to choose between “Show 0” ~ “Show 7” (Show 7 – forward facing show). Press the “ENTER” button to confirm the setting. To exit out of any of the above options, press the “MENU” button.

### Master/slave mode:

To set the master unit, press the “MENU” button to show “Slave Mode” on the LCD display. Now press the “ENTER” button and use the “UP” and “DOWN” buttons to choose “Master”. Press the “ENTER” button to confirm the setting. Then select your desired program.

To set the other units in slave mode, press the “MENU” button to show “Slave Mode” on the LCD display. Now press the “ENTER” button and use the “UP” and “DOWN” buttons to choose either “Slave1” or “Slave2”. Press the “ENTER” button to confirm the setting.

The unit will now run in sequence with the master unit.

To exit out of any of the above options, press the “MENU” button.

Please ensure that all slave units are set to the same DMX channel mode as the master unit.

### Blackout setting:

To access the blackout setting, press the “MENU” button to show “Black Out” on the LCD display. Now press the “ENTER” button and use the “UP” and “DOWN” buttons to choose between “No” or “Yes”. Press the “ENTER” button to confirm the setting.

To exit out of any of the above options, press the “MENU” button.

**PLEASE NOTE:** The fixture must be set to “NO” for Show modes to run.

### Sound/sound sensitivity:

To turn the sound mode on or off, press the “MENU” button to show “Sound State” on the LCD display. Now press the “ENTER” button and use the “UP” and “DOWN” buttons to choose between “On” or “Off”. Press the “ENTER” button to confirm the setting.

To adjust the sound sensitivity, press the “MENU” button to show “Sound Sense” on the LCD display. Now press the “ENTER” button and use the “UP” and “DOWN” buttons to choose between 0 ~ 100.

**Value: 0 - 100 (0 = low, 100 = high)**

To exit out of any of the above options, press the “MENU” button.

### White balance setting:

To access the white balance setting, press the “MENU” button to show “White Balance” on the LCD display. Now press the “ENTER” button and use the “UP” and “DOWN” buttons to choose between “Red”, “Green” or “Blue”. Press the “ENTER” button and use the “UP” and “DOWN” buttons to adjust the white balance between 50 ~ 255. Press the “ENTER” button to confirm the setting.

To exit out of any of the above options, press the “MENU” button.

### Pan invert setting:

To access the pan invert setting, press the “**MENU**” button to show “**Pan Inverse**” on the LCD display. Now press the “**ENTER**” button and use the “**UP**” and “**DOWN**” buttons to choose between “**No**” or “**Yes**”. Press the “**ENTER**” button to confirm the setting.

To exit out of any of the above options, press the “**MENU**” button.

### Tilt invert setting:

To access the tilt invert setting, press the “**MENU**” button to show “**Pan Inverse**” on the LCD display. Now press the “**ENTER**” button and use the “**UP**” and “**DOWN**” buttons to choose between “**No**” or “**Yes**”. Press the “**ENTER**” button to confirm the setting.

To exit out of any of the above options, press the “**MENU**” button.

### Backlight setting:

To access the display backlight setting, press the “**MENU**” button to show “**Back Light**” on the LCD display. Now press the “**ENTER**” button and use the “**UP**” and “**DOWN**” buttons to choose between “**Off**” or “**On**”. Press the “**ENTER**” button to confirm the setting.

To exit out of any of the above options, press the “**MENU**” button.

### Auto test:

To access the fixtures auto test mode, press the “**MENU**” button to show “**Auto Test**” on the LCD display. Now press the “**ENTER**” button, the fixture will now run through its auto test.

To exit out of any of the above options, press the “**MENU**” button.

### Fixtures temperature:

To access the fixtures temperature, press the “**MENU**” button to show “**Temp.**” on the LCD display. Press the “**ENTER**” button, the LCD display will now show the fixtures temperature.

To exit out of any of the above options, press the “**MENU**” button.

### Fan speed:

To access the fan speed setting, press the “**MENU**” button to show “**Fan Speed**” on the LCD display. Now press the “**ENTER**” button and use the “**UP**” and “**DOWN**” buttons to select between “**Auto Run**”, “**OFF**”, “**Fastest**”, “**Medium**” or “**Slow**”. Press the “**ENTER**” button to confirm the setting.

To exit out of any of the above options, press the “**MENU**” button.

### Fixture time:

To access the fixtures total run time, press the “**MENU**” button to show “**Fixture Time**” on the LCD display. Press the “**ENTER**” button, the LCD display will now show the fixtures total run time.

To exit out of any of the above options, press the “**MENU**” button.

### Firmware version:

To access the fixtures firmware version, press the “**MENU**” button to show “**Firmware Version**” on the LCD display. Press the “**ENTER**” button, the LCD display will now show the fixtures firmware version.

To exit out of any of the above options, press the “**MENU**” button.

### Reset factory settings:

To reset the units factory settings, press the “**MENU**” button to show “**Reset**” on the LCD display.

Press the “**ENTER**” button, the fixture will now reset to factory defaults.

To exit out of any of the above options, press the “**MENU**” button.

### Setting the DMX address:

The DMX mode enables the use of a universal DMX controller. Each fixture requires a “start address” from 1- 512. A fixture requiring one or more channels for control begins to read the data on the channel indicated by the start address. For example, a fixture that occupies or uses 7 channels of DMX and was addressed to start on DMX channel 100, would read data from channels: 100, 101, 102, 103, 104, 105 and 106. Choose a start address so that the channels used do not overlap. E.g. the next unit in the chain starts at 107.

### DMX 512:

DMX (Digital Multiplex) is a universal protocol used as a form of communication between intelligent fixtures and controllers. A DMX controller sends DMX data instructions from the controller to the fixture. DMX data is sent as serial data that travels from fixture to fixture via the DATA “IN” and DATA “OUT” XLR terminals located on all DMX fixtures (most controllers only have a data “out” terminal).

### DMX linking:

DMX is a language allowing all makes and models of different manufactures to be linked together and operate from a single controller, as long as all fixtures and the controller are DMX compliant. To ensure proper DMX data transmission, when using several DMX fixtures try to use the shortest cable path possible. The order in which fixtures are connected in a DMX line does not influence the DMX addressing. For example; a fixture assigned to a DMX address of 1 may be placed anywhere in a DMX line, at the beginning, at the end, or anywhere in the middle. When a fixture is assigned a DMX address of 1, the DMX controller knows to send DATA assigned to address 1 to that unit, no matter where it is located in the DMX chain.

### DATA cable (DMX cable) requirements (for DMX operation):

This fixture can be controlled via DMX-512 protocol. The DMX address is set on the back of the unit. Your unit requires either a standard 3-pin or 5-pin XLR connector for data input/output, see images below.



Further DMX cables can be purchased from all good sound and lighting suppliers or Prolight Concepts dealers.

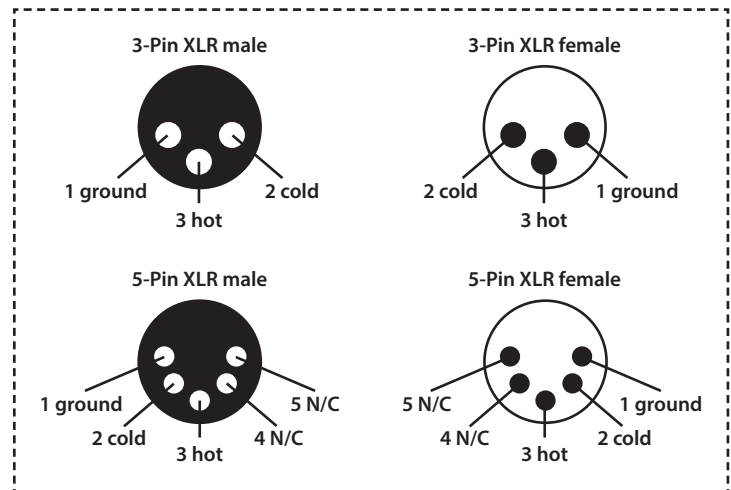
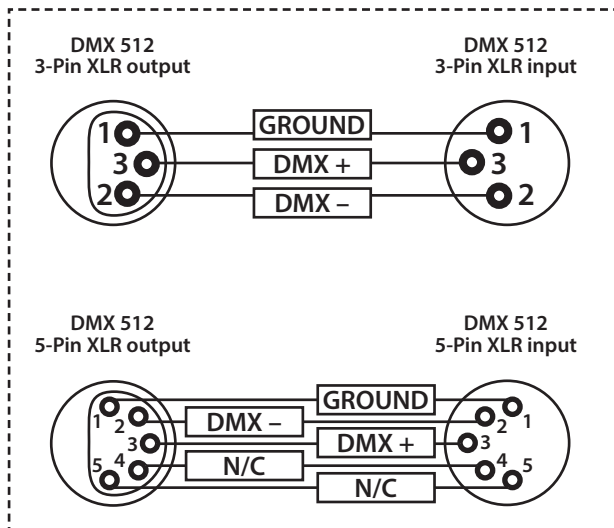
Please quote:	3-Pin:	<b>CABL10 – 2m</b>	<b>CABL11 – 5m</b>	<b>CABL12 – 10m</b>
	5-Pin:	<b>CABL185 – 2m</b>	<b>CABL187 – 5m</b>	<b>CABL188 – 10m</b>

Also remember that DMX cable must be daisy chained and cannot be split.

### Notice:

Be sure to follow the diagrams below when making your own cables. Do not connect the cables shield conductor to the ground lug or allow the shield conductor to come in contact with the XLRs outer casing. Grounding the shield could cause a short circuit and erratic behaviour.

Pin Configuration	
3-Pin	5-Pin
	Pin 1 - Ground
	Pin 2 - Negative
	Pin 3 - Positive
-	Pin 4 - N/C
-	Pin 5 - N/C



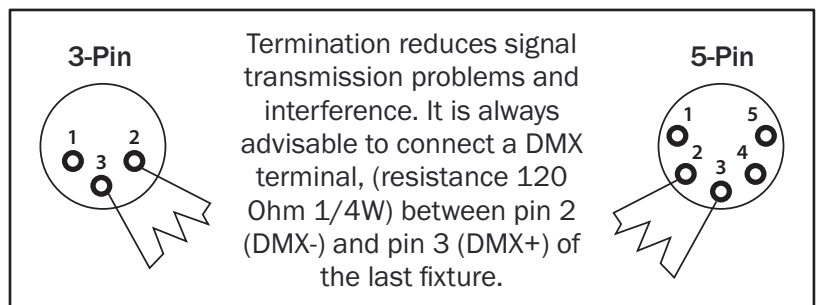
### Line termination:

When longer runs of cable are used, you may need to use a terminator on the last unit to avoid erratic behaviour.

**Using a cable terminator will decrease the possibilities of erratic behaviour.**

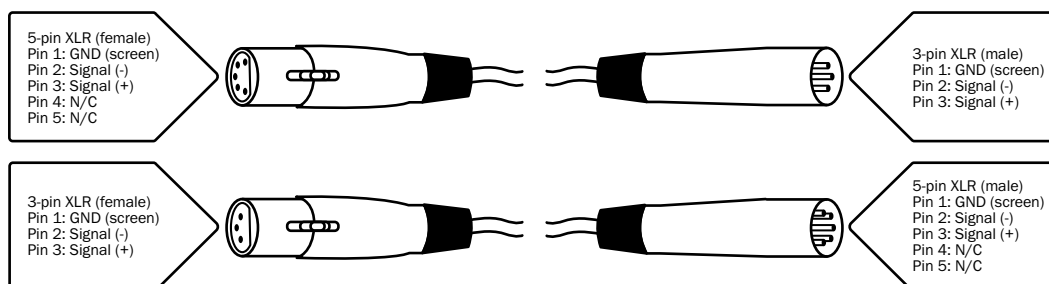
(3-pin - Order ref: CABL90,

5-pin - Order ref: CABL89)



### 5-pin XLR DMX connectors:

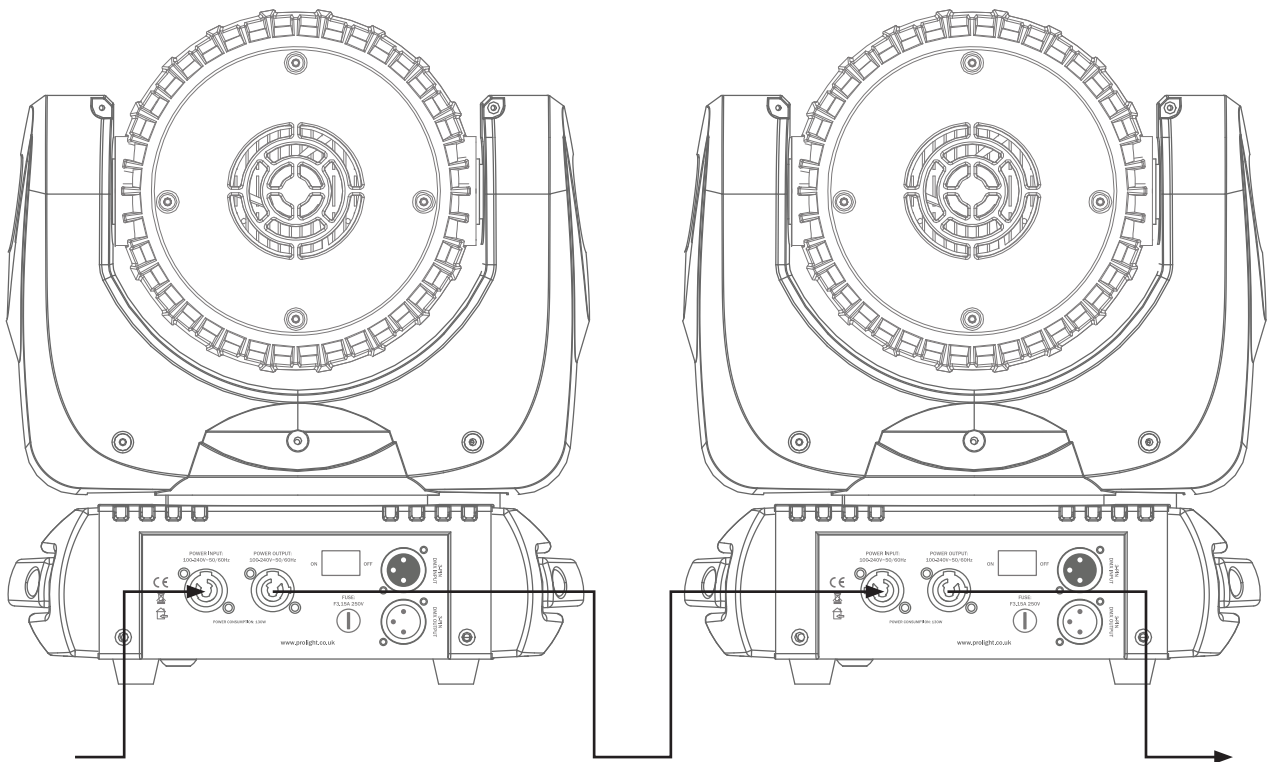
Some manufactures use 5-pin XLR connectors for data transmission in place of 3-pin. 5-pin XLR fixtures may be implemented in a 3-pin XLR DMX line. When inserting standard 5-pin XLR connectors in to a 3-pin line a cable adaptor must be used. The diagram below details the correct cable conversion.



### Power linking:

This fixture provides power linking via the power output on the rear allowing multiple units to be connected together. The maximum number of fixtures that can be connected is 12 fixtures @ 240V or 6 fixtures @ 120V (including the first fixture). After the maximum number of fixtures are connected a new power run will need to be started.

Please note: Caution should be used when power linking other fixtures to the Fusion 140 as the power consumption of other fixtures will vary. Fixtures fitted with lamps often require 2/3 times more current on startup, these may require their own power source.





### ***Correct Disposal of this Product (Waste Electrical & Electronic Equipment)***

**(Applicable in the European Union and other European countries  
with separate collection systems)**

This marking shown on the product or its literature, indicates that it should not be disposed of with other household wastes at the end of its working life. To prevent possible harm to the environment or human health from uncontrolled waste disposal, please separate this from other types of wastes and recycle it responsibly to promote the sustainable reuse of material resources.

Household users should contact either the retailer where they purchased this product, or their local government office, for details of where and how they can take this item for environmentally safe recycling.

Business users should contact their supplier and check the terms and conditions of the purchase contract. This product should not be mixed with other commercial wastes for disposal.



# EQUINOX