

INTERCHANGEABLE WALL PLUG POWER SUPPLY 5VDC 5WATT



PowerPax: SW4149-E

Features:

- Interchangeable AC Heads
- 1 Year Warranty
- Level VI Efficiency
- Worldwide Approvals



Description:

Our range of 5 Watt Interchangeable wall plug power supplies provide 5 Watts of continuous power with the flexibility of worldwide usage as they are supplied with UK, Euro & USA AC Heads, all Efficiency Level VI and carry worldwide safety approvals.

Specification	
Part Code	SW4149-E
Input Voltage Range	90-264 Vac
Input Frequency Range	47-63Hz
Input Current Rated	0.18A Max
Input AC Heads	UK, Euro & USA
Output Voltage Rating	+5V
Output Current Range	1A
Output Min Current	0A
Output Connection Type	USB Socket
Total Output Regulation	+/- 5%
Line and Load Regulation	+/- 5%
Ripple & Noise	200mVp-p
Efficiency	73.62%Min
Over Voltage Protection	The output shall be protected against the over current conditions. A power cycle shall be required to restore normal operation.
Over Load Protection	Auto-recovery function
Operating Temperature	0°C to +50°C
Storage Temperature	-20°C to +80°C
Operating Humidity	10% to 90%
Storage Humidity	10% to 90%
Hi-Pot	3000VAC 10mA 1min
Leakage Current	0.25mA max
Safety Standard	Meets TUV-GS(EN60950-1)
EMI Standard	Meets CE(EN55022)
MTBF	50K Hours
Size mm max.	55.1(L) x 37(W) x 42.95(H) mm
Weight	160g

General Note

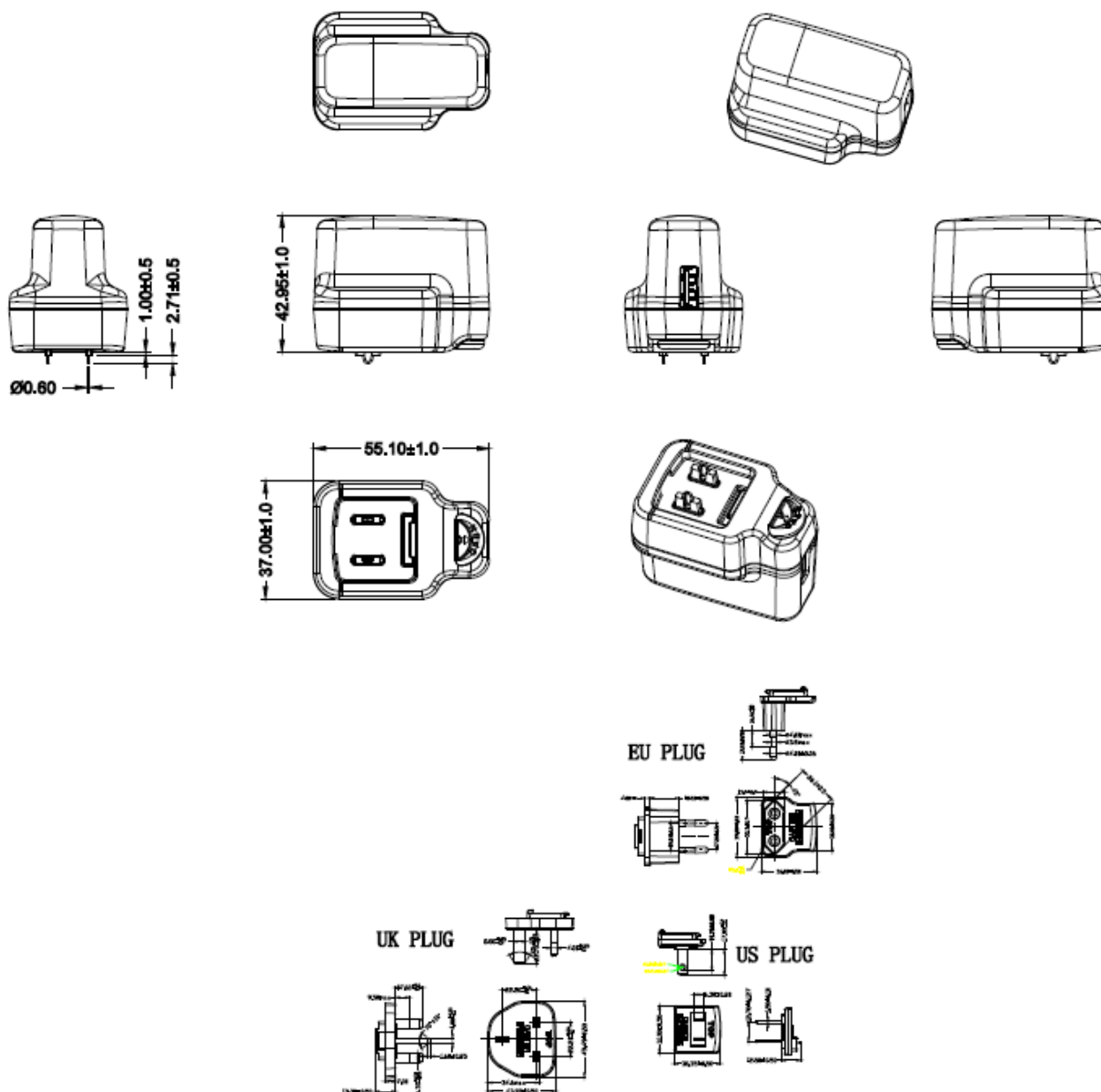
TT Electronics reserves the right to make changes in product specification without notice or liability. All information is subject to TT Electronics' own data and is considered accurate at time of going to print.

POWERPAX

INTERCHANGEABLE WALL PLUG POWER SUPPLY 5VDC 5WATT

PowerPax: : SW4149-E

Diagrams



General Note
TT Electronics reserves the right to make changes in product specification without notice or liability. All information is subject to TT Electronics' own data and is considered accurate at time of going to print.