



Title of Change:	Change TO247 mold downset A1 remark position from lead tip to lead root.
Effective date:	06 Jan 2020
Contact information:	Contact your local ON Semiconductor Sales Office or Daisy.Zhi@onsemi.com
Type of notification:	This Product Bulletin is for notification purposes only. ON Semiconductor will proceed with implementation of this change upon publication of this Product Bulletin.
Change Category:	Assembly Change
Change Sub-Category(s):	Datasheet/Product Doc change

Sites Affected:

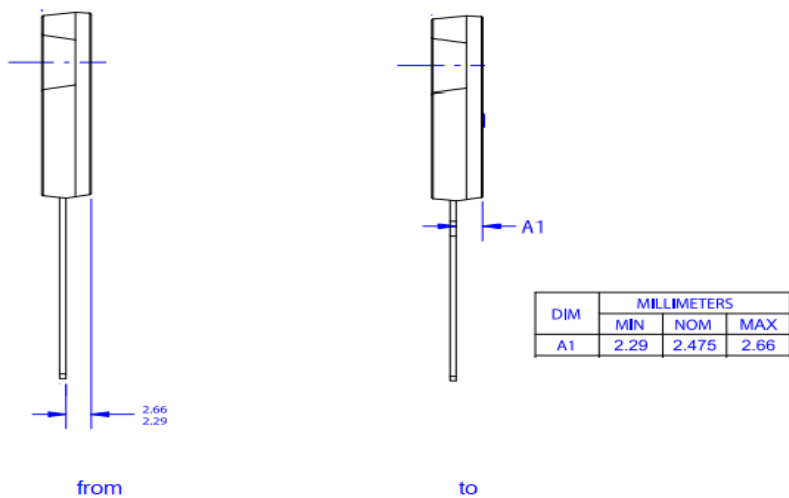
ON Semiconductor Sites	External Foundry/Subcon Sites
ON Semiconductor Suzhou, China	None

Description and Purpose:

Change A1 remark position from lead tip to lead root, value no change.

Impact MOD are: 340CD, 340CF, 340CH, 340CJ, 340CK, 340CL, 340CU, 340CW, 340CX. This to follow ON standard drawing style and eliminate the confusion from internal and external.

Example:



List of Affected Standard Parts:

Note: Only the standard (off the shelf) part numbers are listed in the parts list. Any custom parts affected by this PCN are shown in the customer specific PCN addendum in the PCN email notification, or on the [PCN Customized Portal](#).

FGH75T65SQD-F155	FGH75T65SQDT-F155	NTH027N65S3F-F155
NTHL040N65S3F	NTHL065N65S3F	NTHL082N65S3F
NTHL110N65S3F	FCH023N65S3L4	FCH041N65EFL4
FGH40T120SQDNL4	FCH25N60N	HGTG18N120BN
FFSH15120A	FGY75T95LQDT	FGY75T95SQDT
FFSH30120ADN-F155	FGH75T65UPD-F155	HGTG12N60C3D
HGTG20N60A4D	HGTG20N60B3	HGTG20N60B3D



HGTG30N60A4D	HGTG30N60B3D	HGTG40N60A4
HGTG40N60B3	HGTG5N120BND	HUF75652G3
FCH023N65S3-F155	FCH040N65S3-F155	FCH041N65F-F155
FCH060N80-F155	FCH067N65S3-F155	FCH077N65F-F155
FCH085N80-F155	FCH099N65S3-F155	FCH110N65F-F155
FCH125N65S3R0-F155	FGH40T65SPD-F155	FGH40T65SQD-F155
FGH40N60SMDF	FGH40N60UFDTU	FGH40N65UFDTU
FFSH4065A	FFSH50120A	FFSH5065A
ISL9R1560G2	ISL9R18120G2	FCH041N65EFLN4
FCH150N65F-F155	FCH165N65S3R0-F155	FFSH10120ADN-F155
FFSH2065ADN-F155	FFSH3065ADN-F155	FFSH4065ADN-F155
FGH30T65UPDT-F155	FGH40T100SMD-F155	FGH40T65UQDF-F155
FGH40T70SHD-F155	FGH60T65SQD-F155	FGH40T120SMDL4
FGH75T65SQDTL4	NTH4L027N65S3F	FCH043N60
FCH070N60E	FCH072N60	FCH104N60
FCH165N60E	FCH170N60	FCH22N60N
FCH76N60NF	FDH038AN08A1	FDH047AN08A0
FDH210N08	FGH20N60UFDTU	FGH25N120FTDS
FGH30S150P	FGH40N120ANTU	FGH40T65UPD
FGH80N60FDTU	FQH44N10-F133	HUF75345G3
FFSH10120A	FFSH1665A	FFSH2065A
FFSH40120A	RURG80100	FGH75T65SHDTLN4
FGH40T100SMD	FFSH15120ADN-F155	FGH75T65UPD
RURG3060CC	FCH041N65EF-F155	FFSH20120ADN-F155
FFSH40120ADN-F155	FGH12040WD-F155	FGH40T65SH-F155
FGH40T65SHD-F155	FGH60T65SHD-F155	HGTG7N60A4D
FCH190N65F-F155	FFSH1665ADN-F155	FGH15T120SMD-F155
FGH25T120SMD-F155	FGH40T120SMD-F155	FGH40T65SHDF-F155
FGH50T65SQD-F155	FGH75T65SHD-F155	FGH75T65SHDTL4
FGH75T65SQDNL4	NTH4L040N65S3F	FCH041N60E
FCH041N60F	FCH072N60F	FCH099N60E
FCH104N60F	FCH125N60E	FCH130N60
FCH35N60	FCH47N60-F133	FCH47N60F-F133
FCH47N60N	FCH47N60NF	FCH76N60N
FDH055N15A	FDH3632	FDH44N50
FDH45N50F-F133	FDH50N50-F133	FFH60UP40S3
FGH20N60SFDTU	FGH30N60LSDTU	FGH30S130P



FGH40N60SFDTU	FGH40N60SFTU	FGH40T120SMD
FGH50N3	FGH50T65UPD	FGH60N60SFDTU
FGH60N60SFTU	FGH60N60SMD	FGH60N60UFDTU
FGH75N60UFTU	FGH80N60FD2TU	FQH8N100C
HGTG18N120BND	HGTG20N60A4	HGTG30N60A4
HGTG30N60B3	ISL9K1560G3	ISL9K3060G3
RHRG1560CC	RHRG3060CC	RURG1520CC
RURG3020CC	FFH30S60STU	FFH50US60S
FFH60UP40S	FFH60UP60S	FFH75H60S
FFSH20120A	FFSH30120A	FFSH3065A
ISL9R30120G2	ISL9R3060G2	RHRG30120
RHRG3060	RHRG5060	RHRG75120
RURG3060	RURG5060	RURG8060
FGH75T65SHDT-F155	FFH30US30DN	FGH40N60SMD
FGH40N60UFTU	FGH50N6S2D	HGTG10N120BND
HGTG11N120CND	HGTG12N60A4D	HGTG27N120BN
HGTG30N60C3D	HUF75344G3	HUF75639G3
HUF75852G3		

Japanese translation of the notification starts here.
通知の日本語訳はここから始まります。

Note: The Japanese version is for reference only. In case of any differences between the English and Japanese version, the English version shall control.

注：日本語版は参照用です。英語版と日本語版の違いがある場合は、英語版が優先されます。



変更件名:	T0247 のモールドダウンセット A1 のリマーク位置をリード先端からリード付け根への変更																			
発効日:	6 January 2020																			
連絡先情報:	現地のオン・セミコンダクター営業所または < Daisy.Zhi@onsemi.com > にお問い合わせください。																			
通知種別:	本製品速報は通知目的のみのものです。オン・セミコンダクターは本製品速報の発行により本変更を実行します。																			
変更カテゴリ:	アセンブリの変更																			
変更サブカテゴリ:	データシート/製品文書の変更																			
影響を受ける拠点:	オン・セミコンダクター拠点: ON Semiconductor Suzhou, China	外部製造工場 / 下請業者拠点: なし																		
<p>説明および目的:</p> <p>A1 リマーク位置をリード先端からリード付け根に変更、数値に変更なし。 対象のケースアウトラインは、340CD、340CF、340CH、340CJ、340CK、340CL、340CU、340CW、340CX。これは、オンの標準図面スタイルに従い、社内外の混乱を避けることを目的としています。</p> <p>Example:</p>  <table border="1" data-bbox="685 1251 941 1318"> <thead> <tr> <th rowspan="2">DIM</th> <th colspan="3">MILLIMETERS</th> </tr> <tr> <th>MIN</th> <th>NOM</th> <th>MAX</th> </tr> </thead> <tbody> <tr> <td>A1</td> <td>2.29</td> <td>2.475</td> <td>2.66</td> </tr> </tbody> </table>			DIM	MILLIMETERS			MIN	NOM	MAX	A1	2.29	2.475	2.66							
DIM	MILLIMETERS																			
	MIN	NOM	MAX																	
A1	2.29	2.475	2.66																	
<p>影響を受ける部品の一覧:</p> <p>注: 標準の部品番号(既製品)のみが部品一覧に記載されます。本 PCN に影響を受けるカスタム 部品は、PCN メールのお客様の特定の PCN の付属文書、または PCN カスタマイズポータルに記載されています。</p> <table border="1" data-bbox="116 1675 1549 1957"> <tbody> <tr> <td>FCH023N65S3-F155</td> <td>FCH040N65S3-F155</td> <td>FCH041N65F-F155</td> </tr> <tr> <td>FCH060N80-F155</td> <td>FCH067N65S3-F155</td> <td>FCH077N65F-F155</td> </tr> <tr> <td>FCH085N80-F155</td> <td>FCH099N65S3-F155</td> <td>FCH110N65F-F155</td> </tr> <tr> <td>FCH125N65S3R0-F155</td> <td>FGH40T65SPD-F155</td> <td>FGH40T65SQD-F155</td> </tr> <tr> <td>FGH40N60SMDF</td> <td>FGH40N60UFDTU</td> <td>FGH40N65UFDTU</td> </tr> <tr> <td>FFSH4065A</td> <td>FFSH50120A</td> <td>FFSH5065A</td> </tr> </tbody> </table>			FCH023N65S3-F155	FCH040N65S3-F155	FCH041N65F-F155	FCH060N80-F155	FCH067N65S3-F155	FCH077N65F-F155	FCH085N80-F155	FCH099N65S3-F155	FCH110N65F-F155	FCH125N65S3R0-F155	FGH40T65SPD-F155	FGH40T65SQD-F155	FGH40N60SMDF	FGH40N60UFDTU	FGH40N65UFDTU	FFSH4065A	FFSH50120A	FFSH5065A
FCH023N65S3-F155	FCH040N65S3-F155	FCH041N65F-F155																		
FCH060N80-F155	FCH067N65S3-F155	FCH077N65F-F155																		
FCH085N80-F155	FCH099N65S3-F155	FCH110N65F-F155																		
FCH125N65S3R0-F155	FGH40T65SPD-F155	FGH40T65SQD-F155																		
FGH40N60SMDF	FGH40N60UFDTU	FGH40N65UFDTU																		
FFSH4065A	FFSH50120A	FFSH5065A																		



ISL9R1560G2	ISL9R18120G2	FCH041N65EFLN4
FCH150N65F-F155	FCH165N65S3R0-F155	FCH190N65F-F155
FFSH10120ADN-F155	FFSH1665ADN-F155	FFSH2065ADN-F155
FFSH3065ADN-F155	FFSH4065ADN-F155	FGH15T120SMD-F155
FGH25T120SMD-F155	FGH30T65UPDT-F155	FGH40T100SMD-F155
FGH40T120SMD-F155	FGH40T65SHDF-F155	FGH40T65UQDF-F155
FGH40T70SHD-F155	FGH50T65SQD-F155	FGH60T65SQD-F155
FGH75T65SHD-F155	FGH75T65SQD-F155	FGH75T65SQDT-F155
NTH027N65S3F-F155	NTHL040N65S3F	NTHL065N65S3F
NTHL082N65S3F	NTHL110N65S3F	FCH023N65S3L4
FCH041N65EFL4	FGH40T120SMDL4	FGH40T120SQDNL4
FGH75T65SHDTL4	FGH75T65SQDNL4	FGH75T65SQDTL4
NTH4L027N65S3F	NTH4L040N65S3F	FCH041N60E
FCH041N60F	FCH043N60	FCH070N60E
FCH072N60	FCH072N60F	FCH099N60E
FCH104N60	FCH104N60F	FCH125N60E
FCH130N60	FCH165N60E	FCH170N60
FCH22N60N	FCH25N60N	FCH35N60
FCH47N60-F133	FCH47N60F-F133	FCH47N60N
FCH47N60NF	FCH76N60N	FCH76N60NF
FDH038AN08A1	FDH047AN08A0	FDH055N15A
FDH210N08	FDH3632	FDH44N50
FDH45N50F-F133	FDH50N50-F133	FFH60UP40S3
FGH20N60SFDTU	FGH20N60UFDTU	FGH25N120FTDS
FGH30N60LSDTU	FGH30S130P	FGH30S150P
FGH40N120ANTU	FGH40N60SFDTU	FGH40N60SFTU
FGH40T120SMD	FGH40T65UPD	FGH50N3
FGH50T65UPD	FGH60N60SFDTU	FGH60N60SFTU
FGH60N60SMD	FGH60N60UFDTU	FGH75N60UFTU
FGH80N60FD2TU	FGH80N60FDTU	FQH44N10-F133
FQH8N100C	HGTG18N120BN	HGTG18N120BND
HGTG20N60A4	HGTG30N60A4	HGTG30N60B3
HUF75345G3	ISL9K1560G3	ISL9K3060G3
RHRG1560CC	RHRG3060CC	RURG1520CC
RURG3020CC	FFH30S60STU	FFH50US60S



FFH60UP40S	FFH60UP60S	FFH75H60S
FFSH10120A	FFSH15120A	FFSH1665A
FFSH20120A	FFSH2065A	FFSH30120A
FFSH3065A	FFSH40120A	ISL9R30120G2
ISL9R3060G2	RHRG30120	RHRG3060
RHRG5060	RHRG75120	RURG3060
RURG5060	RURG80100	RURG8060
FGH75T65SHDTLN4	FGH40T100SMD	FGY75T95LQDT
FGY75T95SQDT	FFSH15120ADN-F155	FFSH30120ADN-F155
FGH75T65UPD-F155	FDH055N15A-SN00358	FGH40N60UFTU-SN00007
FGH40T120SMD-SN00363	FGH40T120SMD-SN00388	FGH75T65UPD
RURG3060CC	ISL9R2480G2-S2611	RURG5060-R4857
FCH041N65EF-F155	FFSH20120ADN-F155	FFSH40120ADN-F155
FGH12040WD-F155	FGH40T65SH-F155	FGH40T65SHD-F155
FGH60T65SHD-F155	FGH75T65SHDT-F155	FFH30US30DN
FGH40N60SMD	FGH40N60UFTU	FGH50N6S2D
HGTG10N120BND	HGTG11N120CND	HGTG12N60A4D
HGTG12N60C3D	HGTG20N60A4D	HGTG20N60B3
HGTG20N60B3D	HGTG27N120BN	HGTG30N60A4D
HGTG30N60B3D	HGTG30N60C3D	HGTG40N60A4
HGTG40N60B3	HGTG5N120BND	HGTG7N60A4D
HUF75344G3	HUF75639G3	HUF75652G3
HUF75852G3		