

Mini USB Type B Connector, Adapter, Cable Assembly and Dust Cap

multicomp PRO

**RoHS
Compliant**

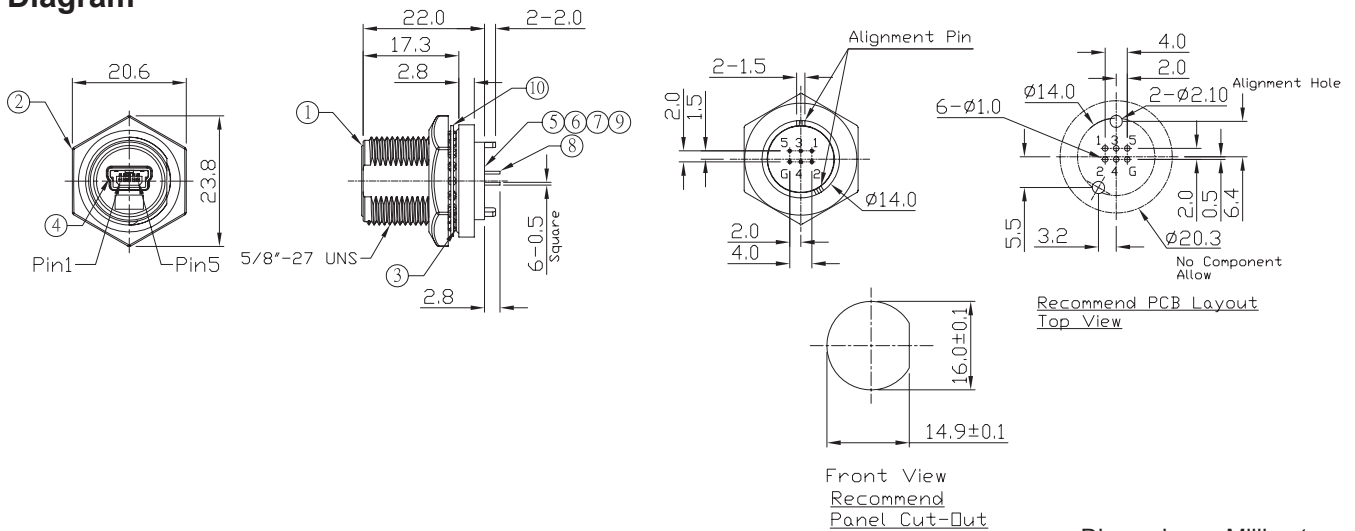
MP002434 Mini USB-B Metal C2 Panel Jack Screw Dip



Specifications

IP Rating : IP68
 Recommend Panel Thickness : 0.8mm to 8mm
 Recommend Torque : 19 to 20Kgf-cm

Diagram



No.	Part Name	Material/Finish	Qty.	
1	Housing	Zn Alloy; Finish: Ni Plated	1	
2	Hex Nut	Zn Alloy; Finish: Ni Plated		
3	O-Ring	Silicone; Colour: Red		
4	USB-A Receptacle	Housing: Thermoplastic, Colour : Black Contacts: Copper Alloy, Finish: Au Plated Shell: Copper Alloy, Finish: Ni Plated		
5	PCB	FR-4; Colour: Green		
6	Holder	Thermoplastic, Colour : Black		
7	EMI Shielded Plate	Copper Alloy, Finish: Ni Plated		
8	Pin Header	Housing: Thermoplastic, Colour : Black Contacts: Copper Alloy, Finish: Au Plated		
9	Glue	Epoxy; Colour: Black		-
10	Metal Washer	Stainless		1

Newark.com/multicomp-pro
 Farnell.com/multicomp-pro
 Element14.com/multicomp-pro

multicomp PRO

Mini USB Type B Connector, Adapter, Cable Assembly and Dust Cap

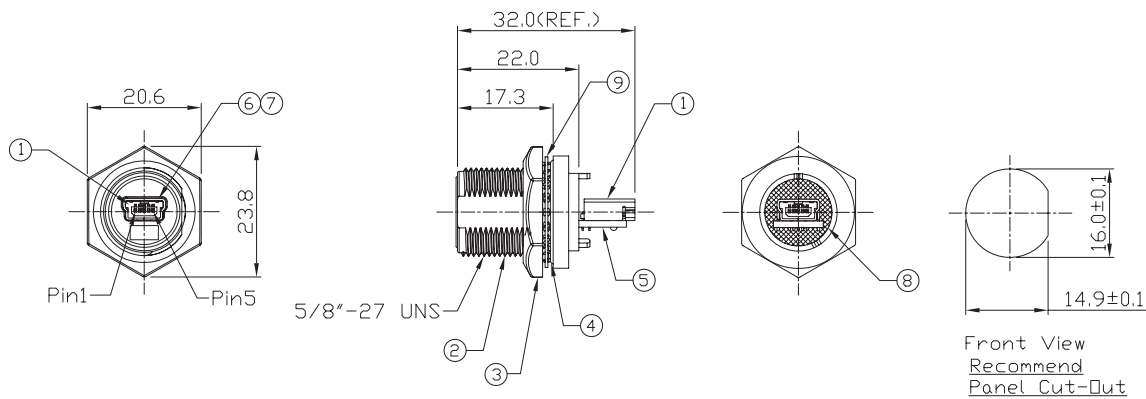
MP002435 Mini USB-B Metal C2 Panel Jack with Coupler Screw



Specifications

IP Rating : IP68
 Recommend Panel Thickness : 0.8mm to 8mm
 Recommend Torque : 19 to 20Kgf-cm

Diagram



Dimensions : Millimetres

No.	Part Name	Material/Finish	Qty.
1	Mini USB-B Receptacle	Housing: Thermoplastic, Colour : Black	2
		Contacts: Copper Alloy, Finish: Au Plated	
		Shell: Copper Alloy, Finish: Ni Plated	
2	Housing	Zn Alloy; Finish: Ni Plated	1
3	Hex Nut	Zn Alloy; Finish: Ni Plated	
4	O-Ring	Silicone; Colour: Red	
5	PCB	FR-4	
6	EMI Shielded Plate	Copper Alloy, Finish: Ni Plated	
7	Holder	Thermoplastic, Colour : Black	
8	Glue	Epoxy; Colour: Black	-
9	Metal Washer	Stainless	1

Mini USB Type B Connector, Adapter, Cable Assembly and Dust Cap

multicomp PRO

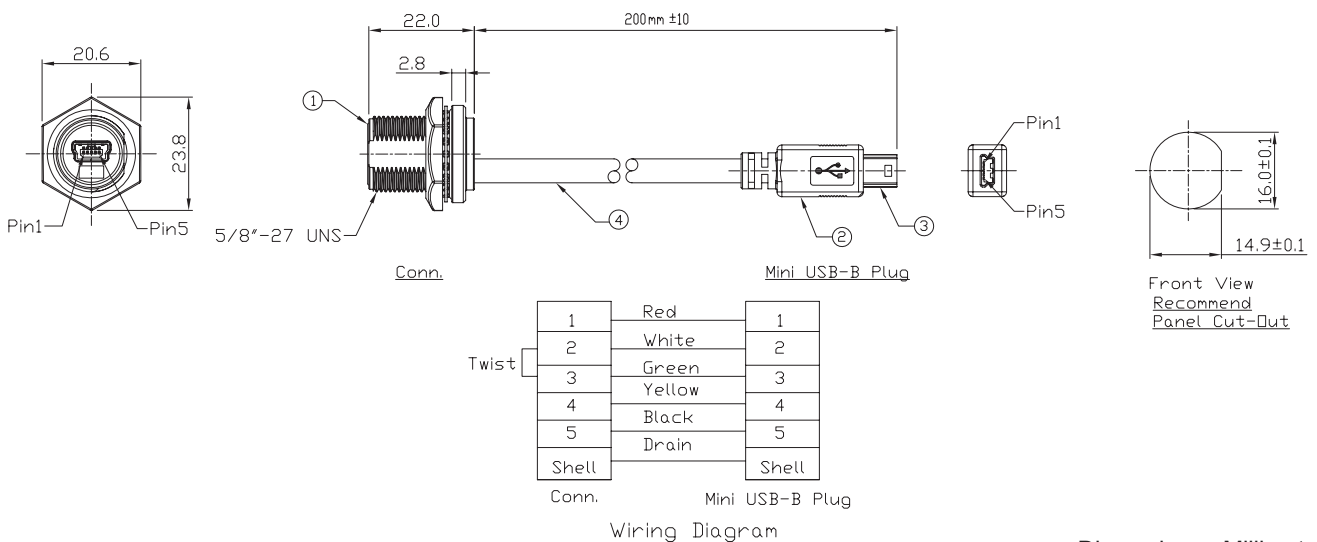
MP002436 Mini USB-B Metal C2 Panel Jack Screw with Cable + Mini USB-B Plug



Specifications

IP Rating : IP68
 Recommend Panel Thickness : 0.8mm to 8mm
 Recommend Torque : 19 to 20Kgf-cm

Diagram



Dimensions : Millimetres

No.	Part Name	Material/Finish	Qty.
1	Mini USB-B Metal C2 Panel Jack Screw with Cable	Connector	1
2	Over Mold	PVC; Colour: Black	
3	Mini USB-B Plug	Housing: Thermoplastic, Colour : Black	
		Contacts: Copper Alloy, Finish: Au Plated	
4	Cable	Shell: SPCC, Finish: Ni Plated	
		UL2725 1P×28AWG+3C×24AWG+AL/My+D+B Colour: Black, OD=5mm	

multicomp PRO

Mini USB Type B Connector, Adapter, Cable Assembly and Dust Cap



Cap Plastic for C2 Screw Panel with Plastic Chain

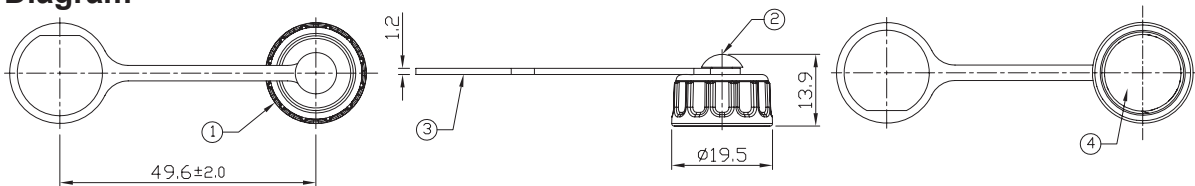
MP002437



Specification

IP Rating : IP67

Diagram



Dimensions : Millimetres

No.	Part Name	Material / Finish	Qty.
1	Screw Cap	Thermal Plastic, Colour: Black	1
2	Plastic Rivet	Thermal Plastic, Colour: Black	
3	Plastic Chain	Thermal Plastic, Colour: Black	
4	Rubber Pad	Silicone, Colour: Black	

Part Number Table

Description	Part Number
Mini USB Connector Type B, Sealed, Metal, C2 Panel Mount, IP68	MP002434
Mini USB Adapter, Mini USB Type B Jack to Mini USB Type B Jack, Metal, C2 Panel Mount, IP68	MP002435
USB Cable Assembly, Mini USB Type B Jack C2 Panel to Mini USB Type B Plug, Black, 200mm, IP68	MP002436
Dust Cap with Chain, Plastic, C2 Screw Panel Mount Connector, IP67	MP002437

Important Notice : This data sheet and its contents (the "Information") belong to the members of the AVNET group of companies (the "Group") or are licensed to it. No licence is granted for the use of it other than for information purposes in connection with the products to which it relates. No licence of any intellectual property rights is granted. The Information is subject to change without notice and replaces all data sheets previously supplied. The Information supplied is believed to be accurate but the Group assumes no responsibility for its accuracy or completeness, any error in or omission from it or for any use made of it. Users of this data sheet should check for themselves the Information and the suitability of the products for their purpose and not make any assumptions based on information included or omitted. Liability for loss or damage resulting from any reliance on the Information or use of it (including liability resulting from negligence or where the Group was aware of the possibility of such loss or damage arising) is excluded. This will not operate to limit or restrict the Group's liability for death or personal injury resulting from its negligence. Multicomp Pro is the registered trademark of Premier Farnell Limited 2019.

Newark.com/multicomp-pro
 Farnell.com/multicomp-pro
 Element14.com/multicomp-pro

