

USB Type C Sealed Connectors, Cable Assembly and Dust Cap

multicomp PRO

**RoHS
Compliant**

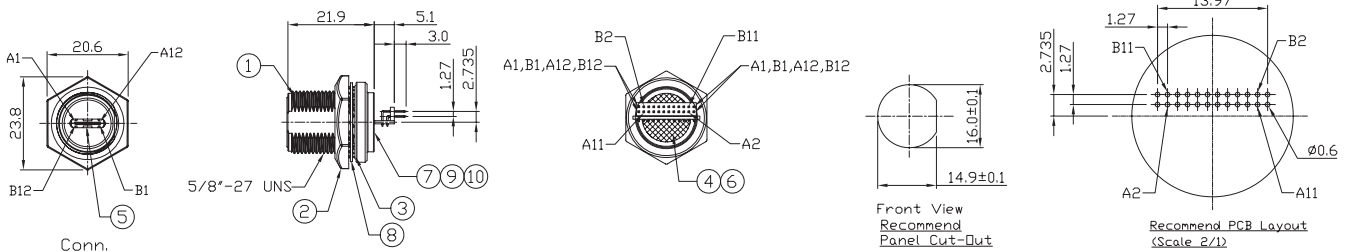
MP002447 USB 3.1 Type C Metal C2 Panel Jack Screw Dip



Specifications

IP Rating : IP68
 Recommend Panel Thickness : 0.8mm to 6mm
 Recommend Torque : 19 to 20Kgf-cm

Diagram



Dimensions : Millimetres

No.	Part Name	Material/Finish	Qty.
1	Housing	Zn Alloy; Finish: Ni Plated	1
2	Hex Nut	Zn Alloy; Finish: Ni Plated	
3	O-Ring	Silicone; Colour: Red	
4	Hold	Silicone; Colour: Black	
5	USB Type C 3.1	Housing: Thermoplastic, Colour: Black Contacts: Copper Alloy, Finish: Au 30µ" Plated Shell: Stainless Steel, Finish: Au Plated	
6	Glue	Epoxy; Colour: Black	-
7	EMI Shielded Plate	Copper Alloy; Finish: Ni Plated	1
8	Metal Washer	SUS	
9	PCB	FR-4	
10	Pin Header	Housing: Thermoplastic; Colour: Black Contacts: Copper Alloy, Finish: Au Plated	

Newark.com/multicomp-pro
 Farnell.com/multicomp-pro
 Element14.com/multicomp-pro

multicomp PRO

USB Type C Sealed Connectors, Cable Assembly and Dust Cap

multicomp PRO

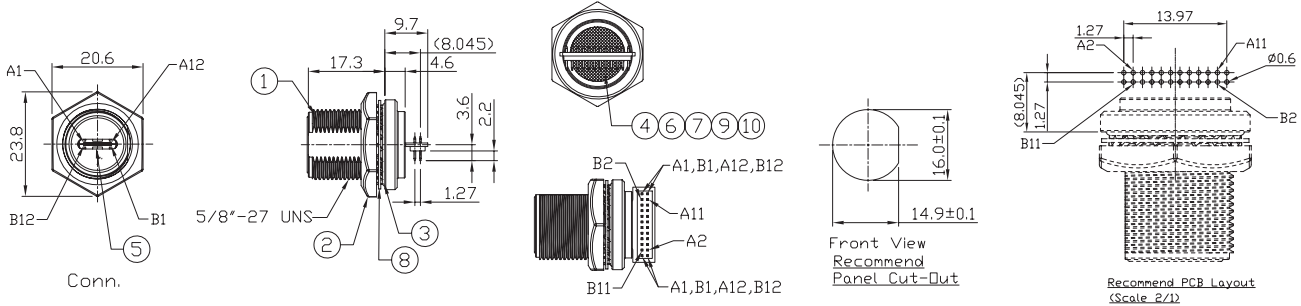
MP002448 USB 3.1 Type C Metal C2 Panel Jack Screw Dip 90 Deg.



Specifications

IP Rating : IP68
 Recommend Panel Thickness : 0.8mm to 6mm
 Recommend Torque : 19 to 20Kgf-cm

Diagram



Dimensions : Millimetres

No.	Part Name	Material/Finish	Qty.
1	Housing	Zn Alloy; Finish: Ni Plated	1
2	Hex Nut	Zn Alloy; Finish: Ni Plated	
3	O-Ring	Silicone; Colour: Red	
4	Hold	Silicone; Colour: Black	
5	USB Type C 3.1	Housing: Thermoplastic, Colour: Black	1
		Contacts: Copper Alloy, Finish: Au 30µ" Plated	
		Shell: Stainless Steel, Finish: Au Plated	
6	Glue	Epoxy; Colour: Black	-
7	EMI Shielded Plate	Copper Alloy; Finish: Ni Plated	1
8	Metal Washer	SUS	
9	PCB	FR-4	
10	Pin Header	Housing: Thermoplastic; Colour: Black	
		Contacts: Copper Alloy, Finish: Au Plated	

Newark.com/multicomp-pro
 Farnell.com/multicomp-pro
 Element14.com/multicomp-pro

multicomp PRO

USB Type C Sealed Connectors, Cable Assembly and Dust Cap

multicomp PRO

MP002449 USB 3.1 Type C Metal C2 Panel Jack Screw with Type C Plug



Specifications

IP Rating : IP68
 Recommend Panel Thickness : 0.8mm to 6mm
 Recommend Torque : 19 to 20Kgf-cm

Constructions

- Cable: UL21572 (1P/32#+EAM)×4+(1P/32#+A)+(4C/32#)+(1C/24#)+2EAB 85%
- OD: 4.8mm Black Thermoplastic (TPE) Jacket

Connector

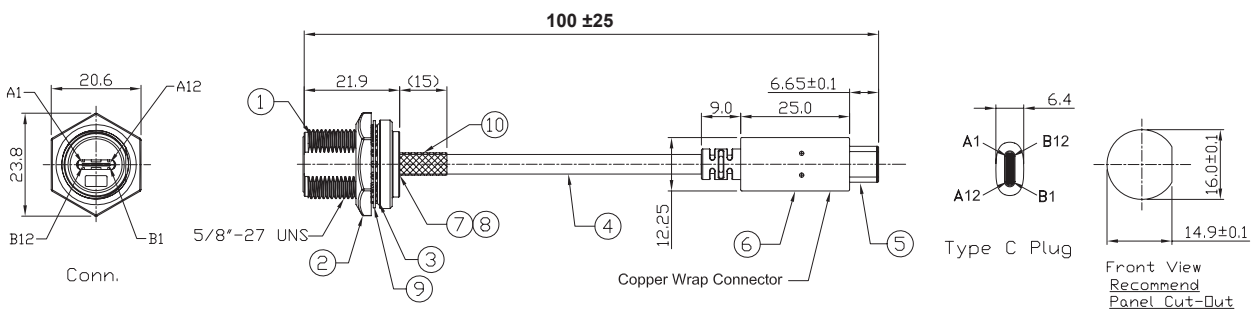
USB C/M

- USB Type C Male Solder Type, PCB without IC,
- Pins: 30μ Gold Plated Over Nickel.
- Insulator: Black Thermoplastic 94V-0 Rated
- Shell: Steel with Gold Plated
- Capacitor
- Molded: Black PVC 45P

USB C/F

- USB Type C Female Solder Type, PCB without IC,
- Pins: 30μ Gold Plated Over Nickel.
- Insulator: Black Colour LCP 94V-0 Rated
- Shell: Steel with Gold Flash

Diagram



Dimensions : Millimetres

No.	Part Name	Material/Finish	Qty.
1	Housing	Zn Alloy; Finish: Ni Plated	1
2	Hex Nut	Zn Alloy; Finish: Ni Plated	
3	O-Ring	Silicone; Colour: Red	
4	Cable	UL21572 (1P/32#+EAM)×4+(1P/32#+A)+(4C/32#)+(1C/24#)+2EAB 85% OD:4.8mm Black TPE Jacket	

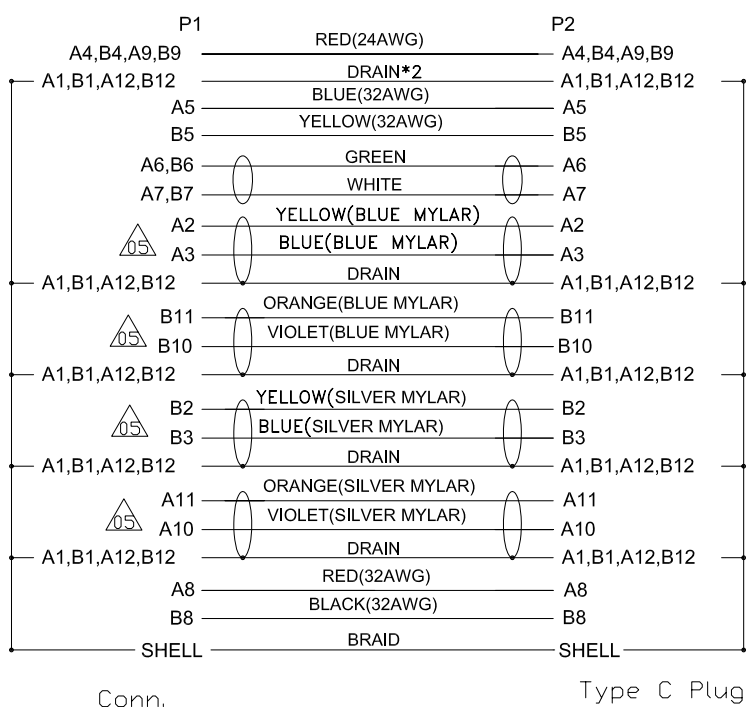
Newark.com/multicomp-pro
 Farnell.com/multicomp-pro
 Element14.com/multicomp-pro

multicomp PRO

USB Type C Sealed Connectors, Cable Assembly and Dust Cap

multicomp PRO

No.	Part Name	Material/Finish	Qty.
5	USB Type C 3.1	Housing: Thermoplastic; Colour: Black	1
		Contacts: Copper Alloy, Finish: Au Plated	
		Shell: Stainless Steel, Finish: Au Plated	
6	Over Mold	PVC; Colour: Black	
7	Glue	Epoxy; Colour: Black	
8	EMI Shielded Plate	Copper Alloy; Finish: Ni Plated	
9	Metal Washer	SUS; Finish: -	
10	Shrink Tube	L=20mm, Heat Shrink Tube With Adhesive Lined Colour: Black	



Wiring Diagram

USB Type C Sealed Connectors, Cable Assembly and Dust Cap

multicomp PRO

MP002450 USB 3.1 Type C Metal C2 Panel Jack Screw with Type C Female



Specifications

IP Rating : IP68
 Recommend Panel Thickness : 0.8mm to 6mm
 Recommend Torque : 19 to 20Kgf-cm

Constructions

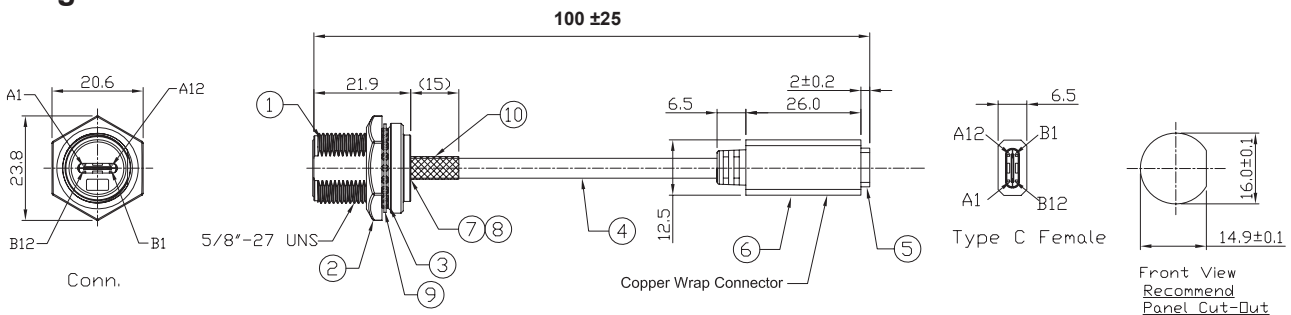
- Cable: UL21572 (1P/32#+EAM)×4+(1P /32#+A)+(4C/32#)+(1C/24#)+2EAB 85%
- OD: 4.8mm Black Thermoplastic (TPE) Jacket

Connector

USB C/F

- USB Type C Female Solder Type, PCB without IC,
- Pins: 30μ Gold Plated Over Nickel.
- Insulator: Black Colour LCP 94V-0 Rated
- Shell: Steel with Gold Flash

Diagram



Dimensions : Millimetres

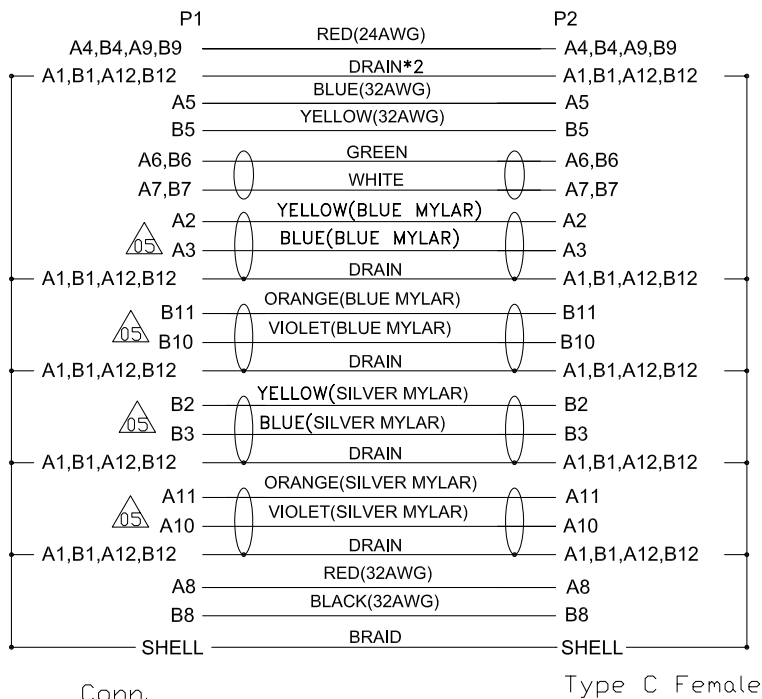
No.	Part Name	Material/Finish	Qty.
1	Housing	Zn Alloy; Finish: Ni Plated	1
2	Hex Nut	Zn Alloy; Finish: Ni Plated	
3	O-Ring	Silicone; Colour: Red	
4	Cable	UL21572 (1P/32#+EAM)×4+(1P/32#+A)+(4C/32#)+(1C/24#)+2EAB 85% OD:4.8mm Black TPE Jacket	
5	USB Type C 3.1	Housing: Thermoplastic; Colour: Black	
		Contacts: Copper Alloy, Finish: Au Plated	
		Shell: Stainless Steel, Finish: Au Plated	
6	Over Mold	PVC; Colour: Black	
7	Glue	Epoxy; Colour: Black	
8	EMI Shielded Plate	Copper Alloy; Finish: Ni Plated	
9	Metal Washer	SUS; Finish: -	
10	Shrink Tube	L=20mm, Heat Shrink Tube With Adhesive Lined Colour: Black	

Newark.com/multicomp-pro
 Farnell.com/multicomp-pro
 Element14.com/multicomp-pro

multicomp PRO

USB Type C Sealed Connectors, Cable Assembly and Dust Cap

multicomp PRO



Wiring Diagram

USB Type C Sealed Connectors, Cable Assembly and Dust Cap

multicomp PRO

MP002440

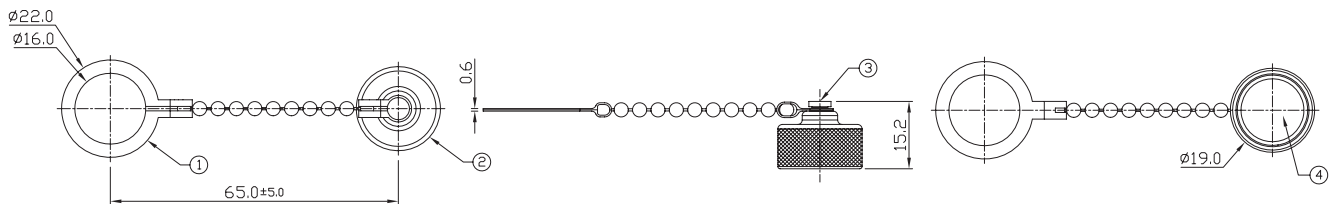
Cap Metal for Mini USB C2 Screw Panel with Metal Chain



Specification

IP Rating : IP68

Diagram



Dimensions : Millimetres

No.	Part Name	Material / Finish	Qty.
1	Metal Chain	Stainless	1
2	Metal Screw Cap.	Copper Alloy Finish: Ni Plated	
3	Metal Rivet	Copper Alloy Finish: Ni Plated	
4	Rubber Pad	Silicone Colour: Black	

Part Number Table

Description	Part Number
USB Type C Sealed Connector, Straight, C2 Panel Mount, IP68	MP002447
USB Type C Sealed Connector, Right Angle, C2 Panel Mount, IP68	MP002448
USB Assembly Cable, USB 3.1, Type C Jack to Plug, 100mm, IP68	MP002449
USB Assembly Cable, USB 3.1, Type C Jack to Jack, 100mm, IP68	MP002450
Dust Cap with Chain Metal, C2 Screw Panel Mount Connector, IP68	MP002440

Important Notice : This data sheet and its contents (the "Information") belong to the members of the AVNET group of companies (the "Group") or are licensed to it. No licence is granted for the use of it other than for information purposes in connection with the products to which it relates. No licence of any intellectual property rights is granted. The Information is subject to change without notice and replaces all data sheets previously supplied. The Information supplied is believed to be accurate but the Group assumes no responsibility for its accuracy or completeness, any error in or omission from it or for any use made of it. Users of this data sheet should check for themselves the Information and the suitability of the products for their purpose and not make any assumptions based on information included or omitted. Liability for loss or damage resulting from any reliance on the Information or use of it (including liability resulting from negligence or where the Group was aware of the possibility of such loss or damage arising) is excluded. This will not operate to limit or restrict the Group's liability for death or personal injury resulting from its negligence. Multicomp Pro is the registered trademark of Premier Farnell Limited 2019.

Newark.com/multicomp-pro
Farnell.com/multicomp-pro
Element14.com/multicomp-pro

multicomp PRO