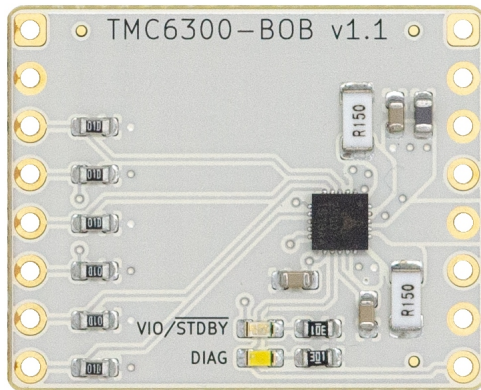


TMC6300-BOB

Document Revision V1.00 • 2020-Apr-02

Module Top View



Features and additional Resources

- TMC6300-LA low voltage 3ph BLDC motor driver
- Battery/supply voltage 2-11V DC
- 1x BLDC motor at up to 1.2A (rms)
- PWM interface for motor control
- Diagnosis output
- Low power standby mode
- Small size QFN package
- Board width 1.0", board height 0.8"
- 2x8 pin 0.1" header rows for pins/connectors
- Link to [Additional information and IC data sheet](#)

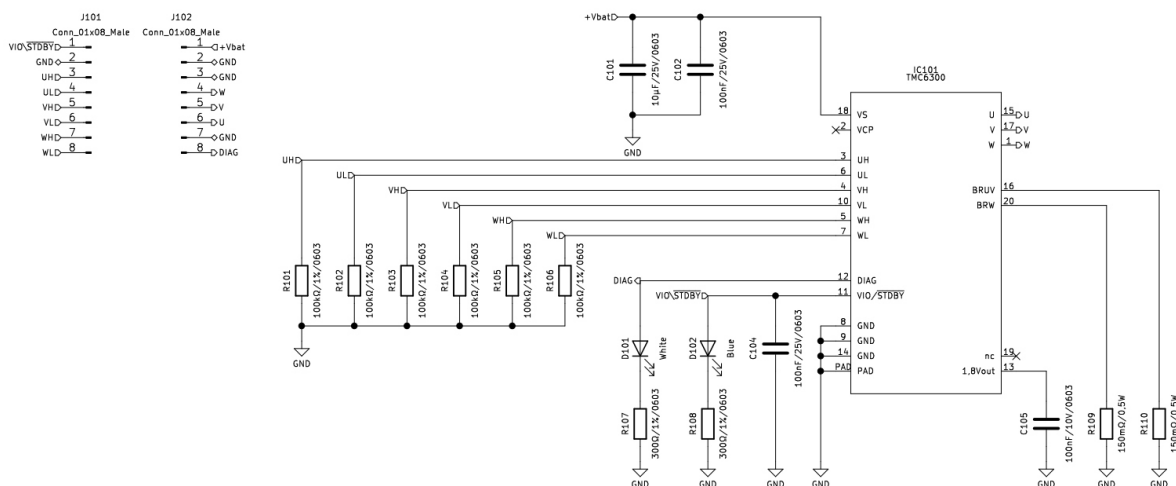
Pin List

Left	Signal	Right	Signal
1	+VCC_IO/nSTDBY	9	+VBAT
2	GND	10	GND
3	UH (PWM Input)	11	GND
4	UL (PWM Input)	12	W (Motor Phase)
5	VH (PWM Input)	13	V (Motor Phase)
6	VL (PWM Input)	14	U (Motor Phase)
7	WH (PWM Input)	15	GND
8	WL (PWM Input)	16	DIAG (Diagnosis output)

Bill of Materials

Pcs.	Value	Footprint	Description
1	TMC6300-LA	QFN20,3x3mm	Trinamic BLDC Motor Driver
6	100K/1%	0603	Resistor
3	100nF/25V	0603	Capacitor
1	10uF/25V	0805	Capacitor
1	Blue	0603	LED
1	White	0603	LED
2	300R/1%	0603	Resistor
2	0R150/0.5W	1206	Resistor

Schematics



©2020 TRINAMIC Motion Control GmbH & Co. KG, Hamburg, Germany
 Terms of delivery and rights to technical change reserved.
 Download newest version at www.trinamic.com

